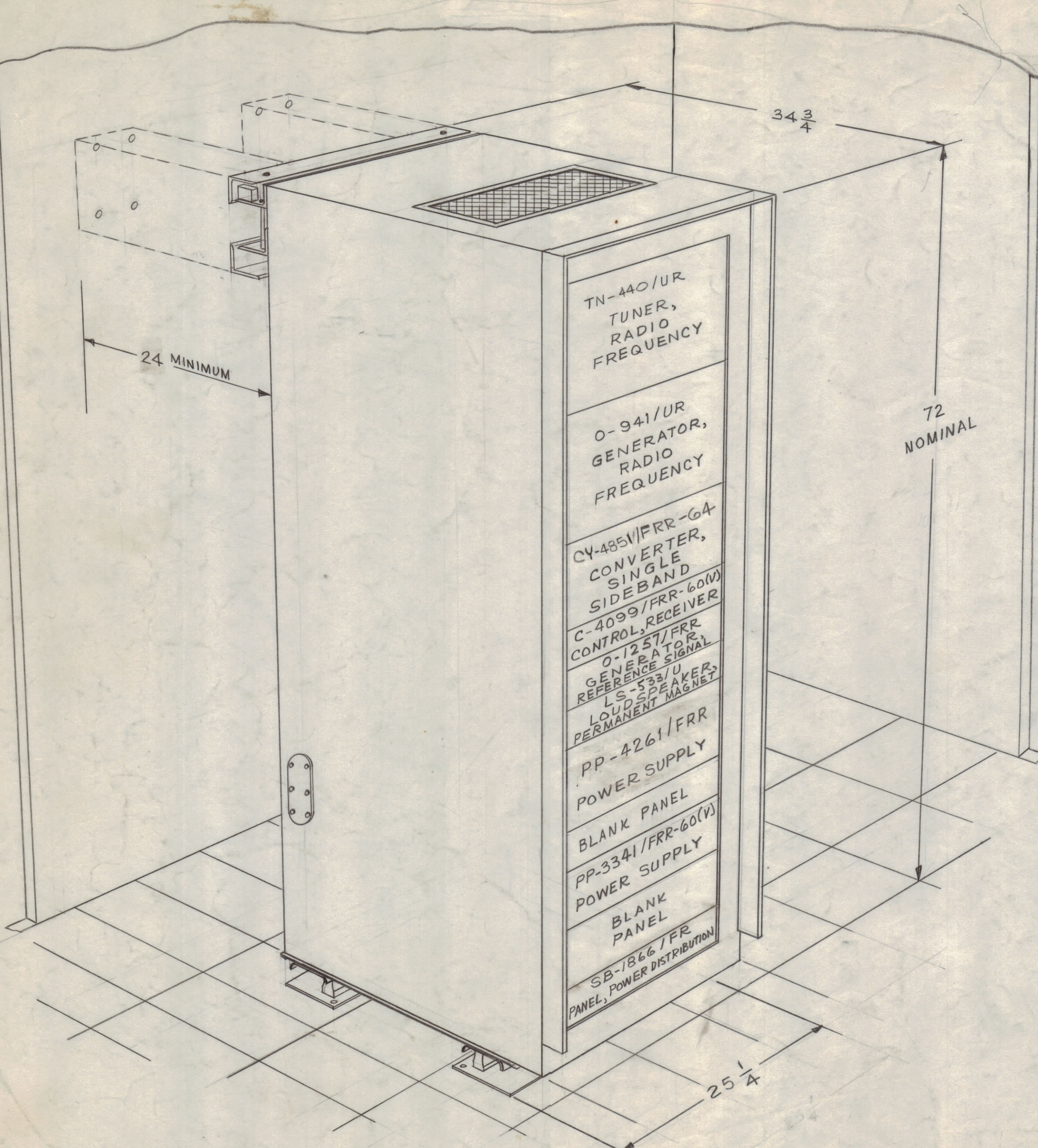


REVISIONS						
ZONE	SYM	DESCRIPTION	DATE	E.M.N. NO.	DRAFT	CHKD
	Ø	ORIGINAL RELEASED FOR PRODUCTION	4-15-65		MJT	
	A	CHG PP-3341/FRR-60(V) TO PP-4261/FRR DELETED BLANK PANEL	4-20-65	13901	MJT	
	B	13400 BTU/H. WEIGHT (INCLUDING SHOCK MOUNTS) ADDED	7/27/65	14476	W.S.F.	
	C	SEE SHEET 4 OF 4	8/20/65	14633	H.W.	



POWER REQUIREMENTS

POWER INPUT: 1000 WATTS
 VOLTAGE: 115/230 VAC
 PHASE: 1 Ø
 FREQUENCY: 50/60 CPS
 HEAT DISSIPATION: 1000 WATTS/3400BTU/H
 AMBIENT TEMP. RANGE: 0 TO 50°C
 INTAKE AIR: 500 CFM
 WEIGHT (INCLUDING SHOCK MOUNTS) 550 LBS.

ID-323
SHEET 1 OF 4

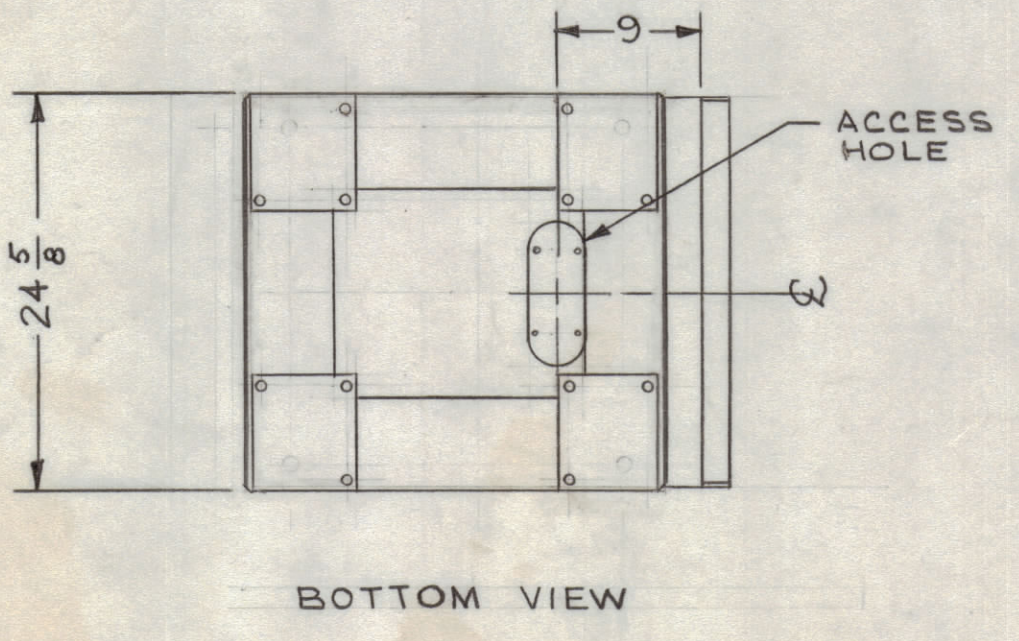
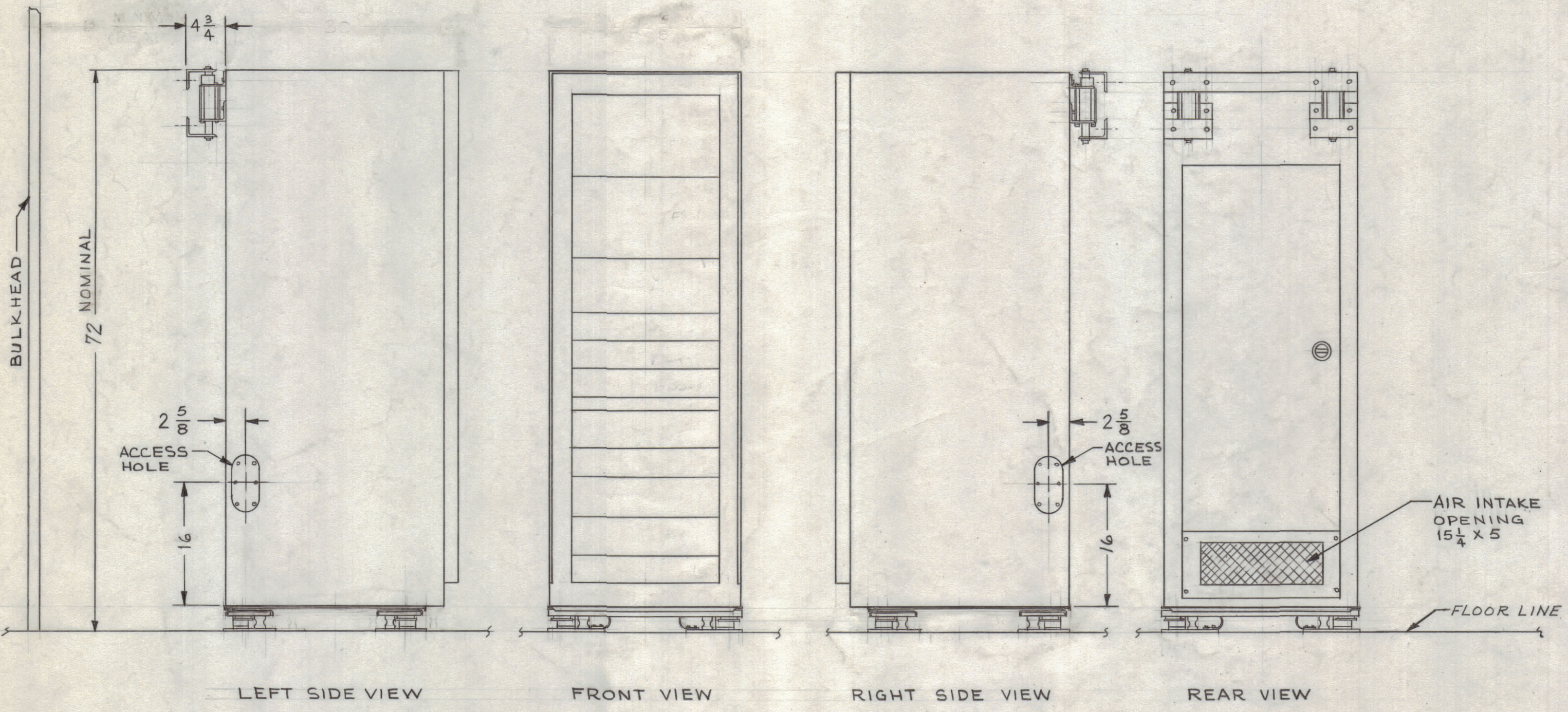
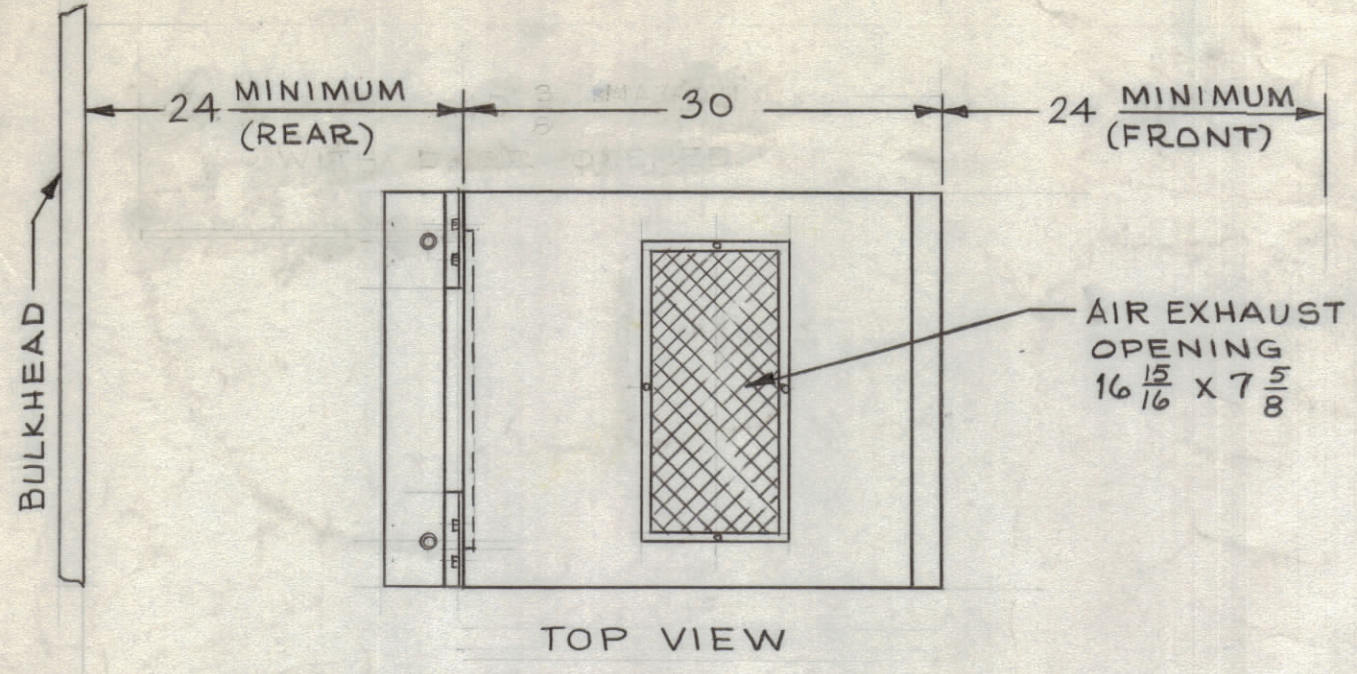
REQ'D.	ITEM	PART NUMBER	DESCRIPTION	SYMBOL
LIST OF MATERIAL				
MATERIAL			THE TECHNICAL MATERIEL CORP. MAMARONECK, NEW YORK	
FINISH			TITLE INSTALLATION DRAWING-MODEL DDR-5K OUTLINE & DIMENSIONAL DATA	
UNLESS OTHERWISE SPECIFIED DIMENSIONS ARE IN INCHES AND INCLUDE CHEMICALLY APPLIED OR PLATED FINISHES			DRAWN M. TANTILLO	DATE 4-10-65
DECIMALS .X ± .05 .XX ± .01 .XXX ± .005			CHECKED	DATE
FRACTIONS ± 1/64 ANGLES ± 0° 30'			ELECT. DES.	DATE
TOLERANCES			MECH. DES.	DATE
THE CONTENTS OF THIS DRAWING ARE THE EXCLUSIVE PROPERTY OF THE TECHNICAL MATERIEL CORP. ITS UNAUTHORIZED USE OR REPRODUCTION IN WHOLE OR IN PART IS STRICTLY FORBIDDEN.			FINAL APPROVAL <i>[Signature]</i>	DATE
			ID-323	C
			SHEET 1 OF 4	REV. LTR.

DDR-5K

Q'TY./UNIT	MODEL USED ON	ASS'Y. NO.
SCALE	CODE	

NOTES

REVISIONS						
ZONE	SYM	DESCRIPTION	DATE	E.M.N. NO.	DRAFT	CHKD
	Ø	ORIGINAL RELEASED FOR PRODUCTION	4-15-65		MJT	
	A	RELOCATED 24 5/8 DIM	4-20-65	13901	MJT	
	B	SEE SHEET NO. 1	7-27-65	14476	DVV	
	C	SEE SHEET 4 OF 4	8/26/65	14633	DVV	



NOTES

Q'TY./UNIT	MODEL USED ON	ASS'Y. NO.
SCALE 1 IN. = 1 FT.	CODE RAK-76-2 (AL)	

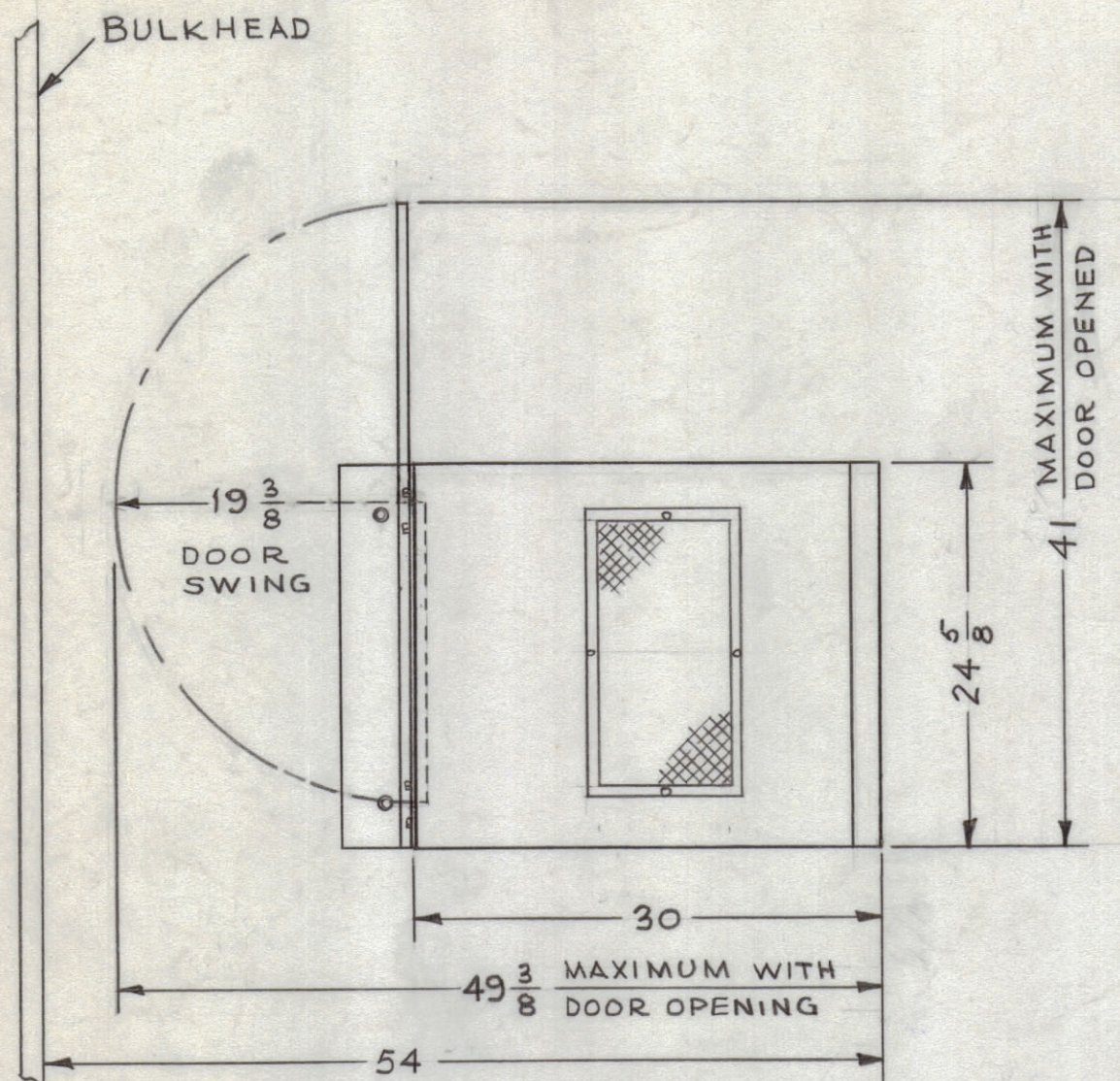
DDP-SK

THE CONTENTS OF THIS DRAWING ARE THE EXCLUSIVE PROPERTY OF THE TECHNICAL MATERIEL CORP. ITS UNAUTHORIZED USE OR REPRODUCTION IN WHOLE OR IN PART IS STRICTLY FORBIDDEN.

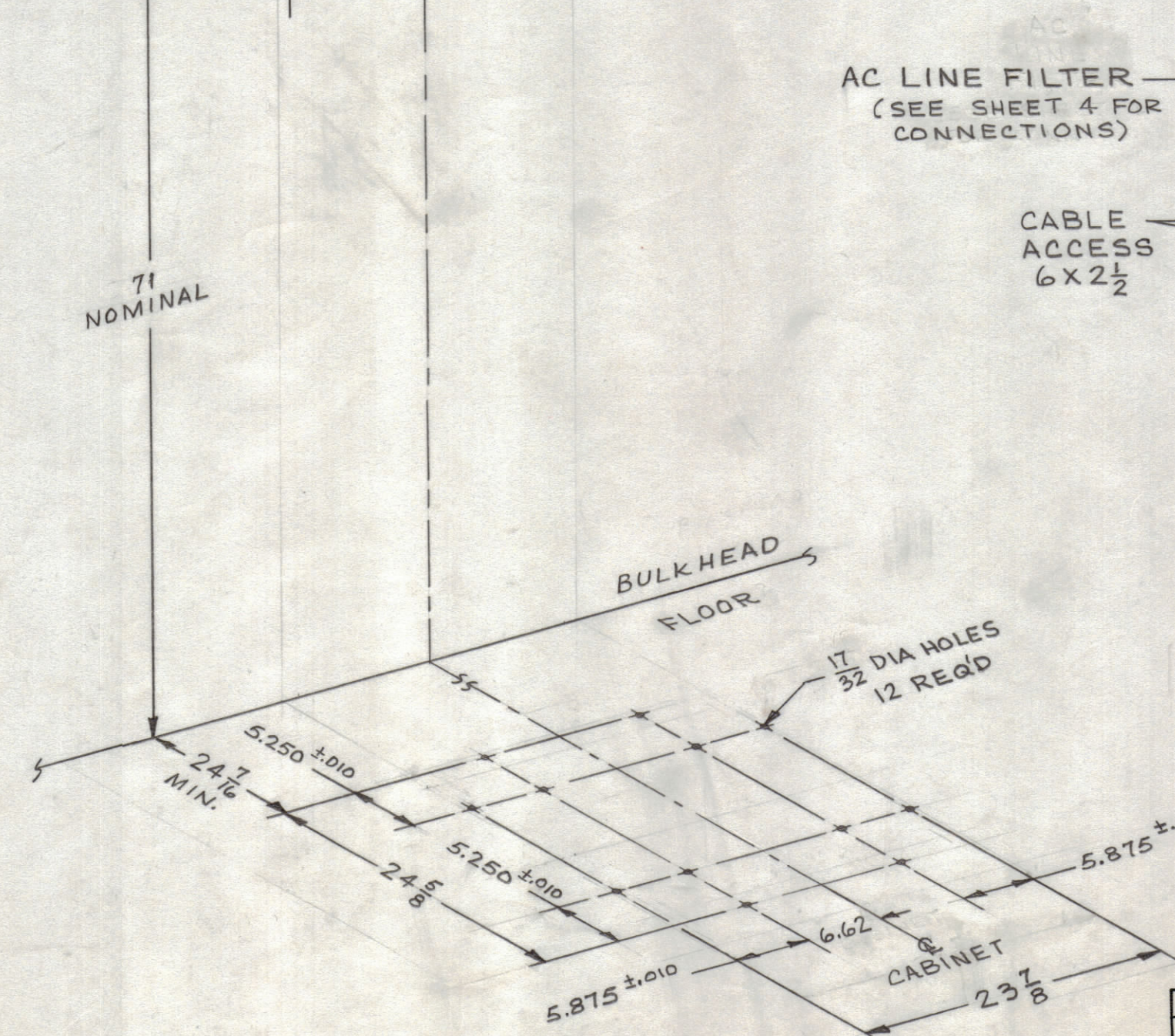
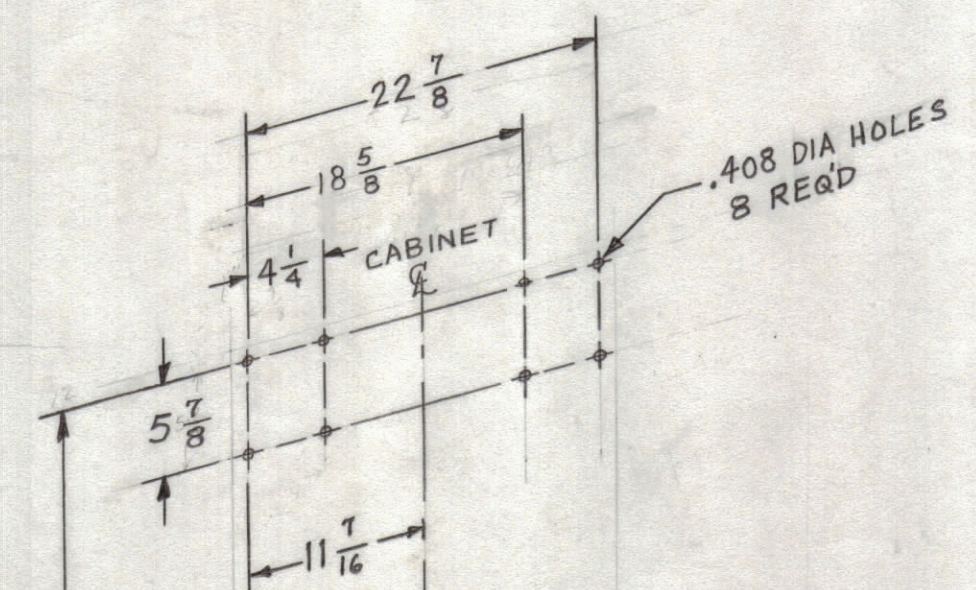
REQ'D.	ITEM	PART NUMBER	DESCRIPTION	SYMBOL
LIST OF MATERIAL				
MATERIAL		THE TECHNICAL MATERIEL CORP. MAMARONECK, NEW YORK		
FINISH		TITLE INSTALLATION DRAWING-MODEL DDR-SK OUTLINE & DIMENSIONAL DATA		
UNLESS OTHERWISE SPECIFIED DIMENSIONS ARE IN INCHES AND INCLUDE CHEMICALLY APPLIED OR PLATED FINISHES		DRAWN M TANTILLO	DATE 4-7-65	FINAL APPROVAL
DECIMALS .X ± .05 .XX ± .01 .XXX ± .005		CHECKED	DATE	DATE
FRACTIONS ± 1/64 ANGLES ± 0° 30'		ELECT. DES.	DATE	DATE
TOLERANCES		MECH. DES.	DATE	DATE
ID-323				C
SHEET 2 OF 4				REV. LTR.

ID-323
SHEET 2 OF 4

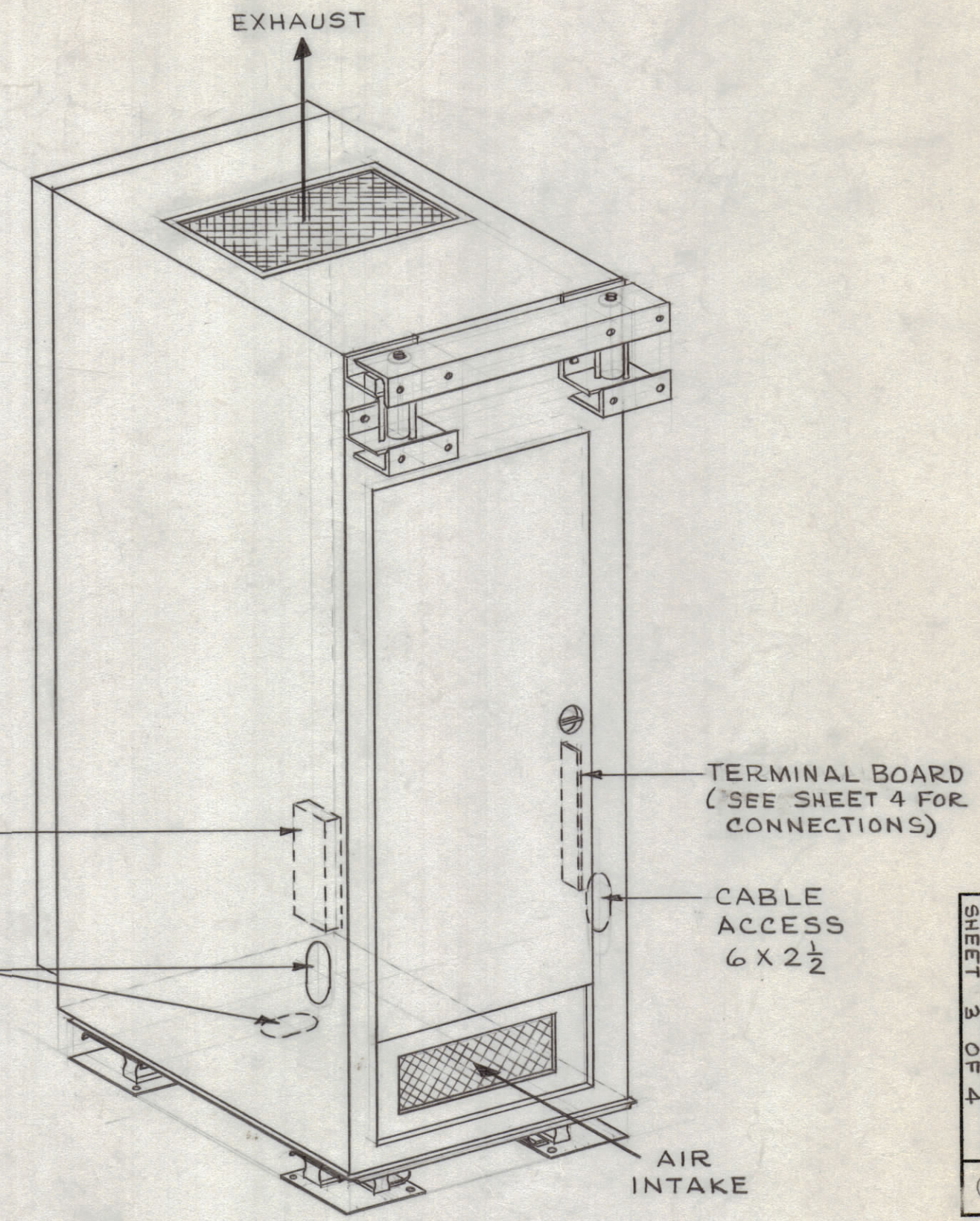
REVISIONS							
ZONE	SYM	DESCRIPTION	DATE	E.M.N. NO.	DRAFT	CHKD	APPD
	Ø	ORIGINAL RELEASED FOR PRODUCTION	4-15-65			MJT	
	A	ADDED .406 DIA., 17/32 DIA., .406, 6.62 DIM TO INSTALL. PLAN	4/20/65	13901		MJT	
	B	SEE SHEET NO 1	4-27-65	14476		DVU	
	C	SEE SHEET 4 OF 4	5/4/65	14633		HVV	



DOOR CLEARANCE REQUIREMENTS
TOP VIEW



SHOCK MOUNTING
INSTALLATION PLAN



ID-323
SHEET 3 OF 4

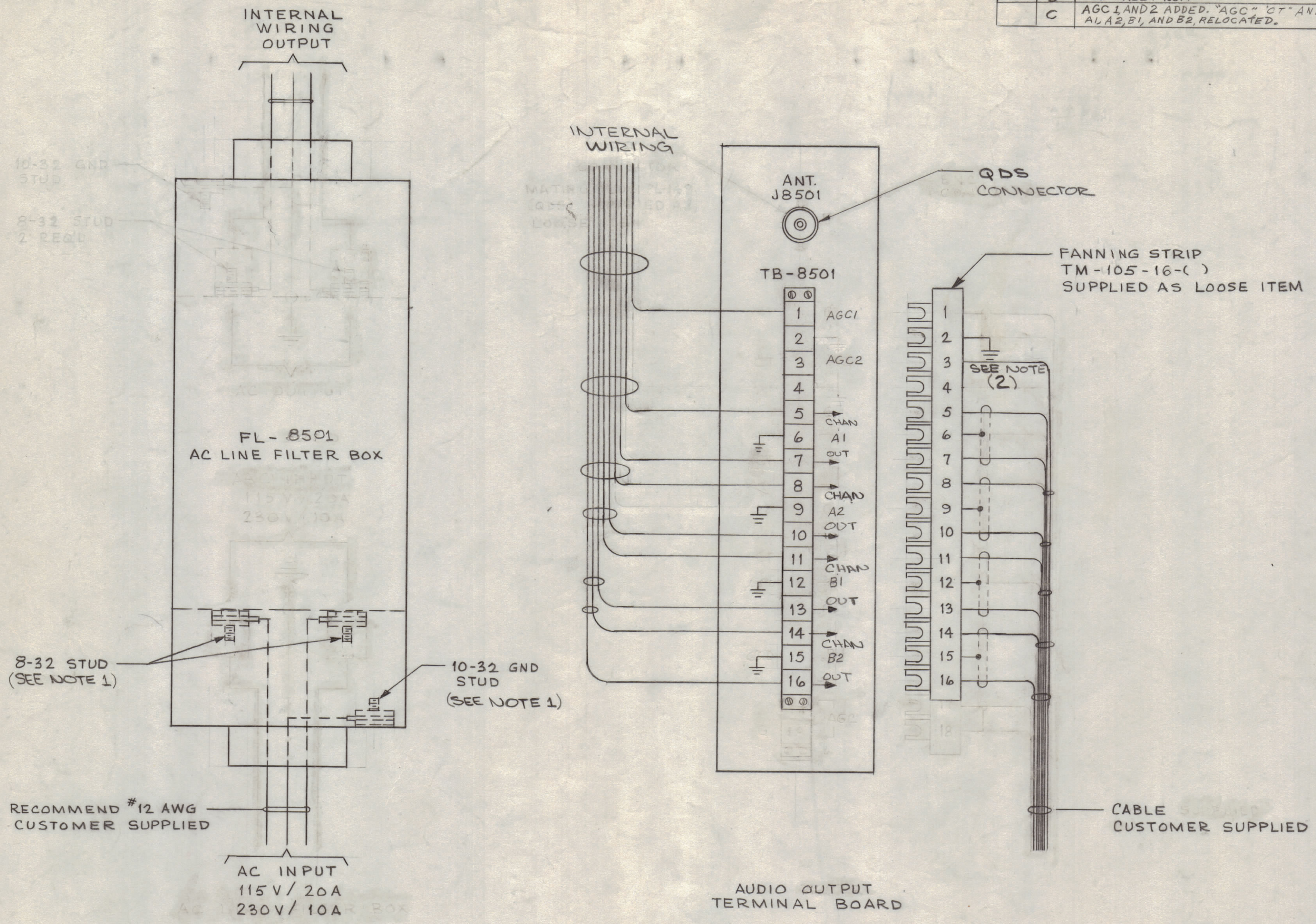
REQ'D.	ITEM	PART NUMBER	DESCRIPTION	SYMBOL
LIST OF MATERIAL				
MATERIAL		THE TECHNICAL MATERIEL CORP. MAMARONECK, NEW YORK		
FINISH		TITLE INSTALLATION DRAWING - MODEL DDR-5K OUTLINE & DIMENSIONAL DATA		
UNLESS OTHERWISE SPECIFIED DIMENSIONS ARE IN INCHES AND INCLUDE CHEMICALLY APPLIED OR PLATED FINISHES		DRAWN M. J. TANTILLO	DATE 4-13-65	FINAL APPROVAL
DECIMALS .X ± .05 .XX ± .01 .XXX ± .005		CHECKED	DATE	DATE
FRACTIONS ± 1/64 ANGLES ± 0° 30'		ELECT. DES.	DATE	DATE
TOLERANCES		MECH. DES.	DATE	DATE
ID-323				C
SHEET 3 OF 4				REV. LTR.

Q'TY./UNIT	MODEL USED ON	ASS'Y. NO.
SCALE	CODE	

THE CONTENTS OF THIS DRAWING ARE THE EXCLUSIVE PROPERTY OF THE TECHNICAL MATERIEL CORP. ITS UNAUTHORIZED USE OR REPRODUCTION IN WHOLE OR IN PART IS STRICTLY FORBIDDEN.

NOTES

REVISIONS						
ZONE	SYM	DESCRIPTION	DATE	E.M.N. NO.	DRAFT	CHKD APPD
	Ø	ORIGINAL RELEASED FOR PRODUCTION	4-15-65		WJT	
	A	CHANGED AS PER E.M.N.	4/21/65	13901	WJT	
	B	SEE SHEET NO. 1	7-27-65	14476	DVV	
	C	AGC 1, AND 2 ADDED. "AGC" "GT" AND G DELETED ALA 2, B1, AND B2, RELOCATED.	9/29/65	14633	R.V.	



NOTE:
 1. TERMINAL LUGS FOR CUSTOMERS CONNECTION NOT SUPPLIED.
 2. FOR DIVERSITY OPERATION, CONNECT TERM. 1 TB8501 FROM RECEIVER #2 AND STRAP TERM. 1 & 3 TB8501 RECEIVER #1

NOTES

DDR-5K

QTY./UNIT	MODEL USED ON	ASS'Y. NO.
SCALE	CODE	

THE CONTENTS OF THIS DRAWING ARE THE EXCLUSIVE PROPERTY OF THE TECHNICAL MATERIEL CORP. ITS UNAUTHORIZED USE OR REPRODUCTION IN WHOLE OR IN PART IS STRICTLY FORBIDDEN.

REQ'D.	ITEM	PART NUMBER	DESCRIPTION	SYMBOL
LIST OF MATERIAL				
MATERIAL		THE TECHNICAL MATERIEL CORP. MAMARONECK, NEW YORK		
FINISH		TITLE INSTALLATION DRAWING-MODEL DDR-5K LINE FILTER AND AUDIO FILTER CONNECTIONS		
DRAWN M. TANTILLO		DATE 4-14-65	FINAL APPROVAL DATE	
CHECKED		DATE	DATE	
DECIMALS .X ± .05 .XX ± .01 .XXX ± .005		TOLERANCES		DATE
FRACTIONS ± 1/64 ANGLES ± 0° 30'		ELECT. DES.		DATE
		MECH. DES.		DATE
ID-323				C
SHEET 4 OF 5				REV. LTR.

ID-323
SHEET 4 OF 4