

IF IT IS FOUND DESIRABLE TO CHANGE ANY TOLERANCE OR OTHER DETAIL SPECIFIED ON THIS DRAWING NOTIFY THE PURCHASER PROMPTLY.

MAXIMUM ALLOWABLE TOLERANCES HAVE BEEN DETERMINED AND DEVIATIONS WILL BE CAUSE FOR REJECTION. REMOVE ALL BURRS AND SHARP EDGES

ID-140

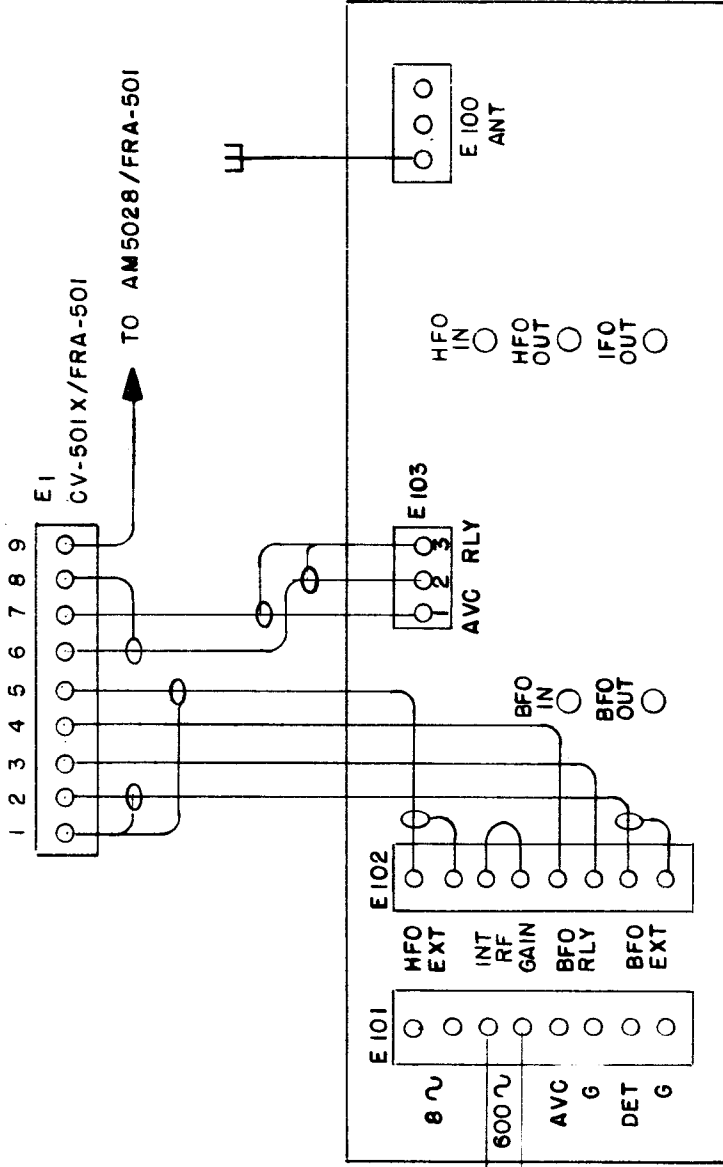
USED ON

DATE

ASSY. NO.

PROJECT NO.

MODEL



TO AM5028/FRA-501

AUDIO RETURN SIGNAL TO RSC VIA MICROWAVE LINK OR TELEPHONE LINES (600-Ω)

REQ. ITEM	PART NO.	DESCRIPTION	SYMBOL
		THE TECHNICAL MATERIEL CORP. MAMARONECK, NEW YORK	
		CONNECTIONS FOR REMOTE CONTROL	
		R-5007/FRR-502 (FFR-1)	
		DRAWN <i>JHD 12-29-50</i>	MECH. DES. APP. <i>WJE</i>
		CHECKED <i>COB 12-29-50</i>	ELEC. DES. APP. <i>COB</i>
		TYPE & TEMPER	FINAL APPROVAL
		HEAT TREAT. SPEC.	
		FINISH & SPEC. NO.	ID-140

TOLERANCES  
 DEC. DIM. ±  
 FRAC. DIM. ±  
 ANGULAR DIM. ±

DRILL, PUNCH, COMMERCIAL STOCK SIZES AND MANUFACTURERS TOLERANCES ARE NOT INCLUDED.