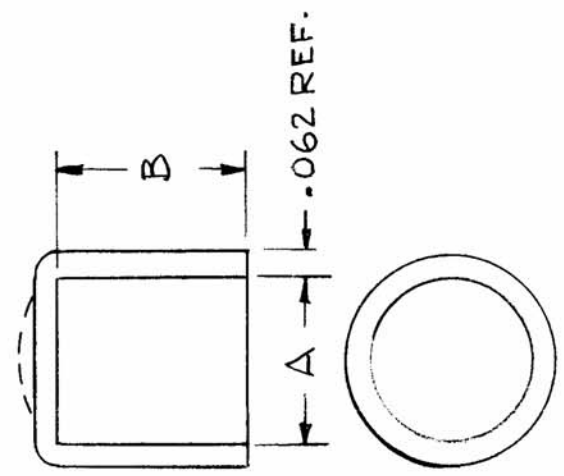


# STANDARD DRAWING

TMC	PART NO.	DIMENSION	MFG. PART NO.	REQ. PER UNIT	MODEL	USED ON ASSY. NO.	DATE	SYMBOL
HB 125 - 1	A	B	5401 - 6	5401 - 428			4-11-66	HB125 Ø

SHAPE OF TOP OPTIONAL



HB 125 - 2	3/8	19/32	1704 - 9	.375-19/32 I.L.
HB 125 - 3	1/2	7/8		.500-14 (7/8 I.L.)
HB 125 - 4	1/2	19/32	1704 - 13	
HB 125 - 5	17/32	5/8	1704 - 14	
HB 125 - 6	5/8	5/8	1704 - 17	.625-10 (5/8 I.L.)
HB 125 - 7	3/4	5/8	1704 - 21	.750-10 (5/8 I.L.)
HB 125 - 8	3/4	1 3/8		.750-22 (5/8 I.L.)
HB 125 - 9	1 1/4	7/8	1704 - 336	1.250-14 (7/8 I.L.)
HB 125 - 10	1 3/4	19/32		.406 - 19/32 I.L.

REQ. ITEM	PART NO.	DESCRIPTION	SYMBOL
		THE TECHNICAL MATERIEL CORP. MAMARONECK. NEW YORK	
		VINYL - FLEXIBLE	
		STOCK SIZE	
		MATERIAL	
		CAP, DUST, CONNECTOR	
		TYPE & TEMPER	
		HEAT TREAT. SPEC.	
		COLOR - YELLOW	
		FINISH & SPEC. NO.	
		ELEC. DES. APP.	
		MECH. DES. APP.	
		HB125	Ø

DATE: 4-18-66  
 CHECKER: [Signature]  
 DRAFTS: WMO  
 CH. NO.: Ø  
 SCALE: DO NOT SCALE  
 CODE: B  
 5401 - (SEE CHART)