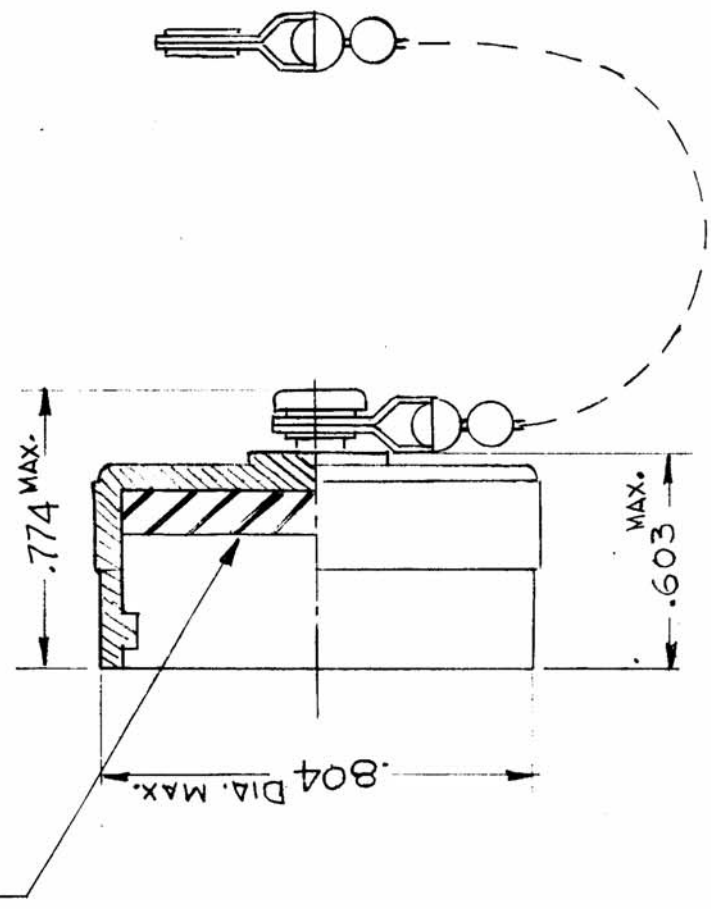


REQ. PER UNIT	4	USED ON	HB123
MODEL	BPSX-1	ASSY. NO.	
		DATE	10-27-64

SMOOTH SIDE OF GASKET
MUST FACE OUT



— SPECIFICATIONS —

TYPE LOCKING: BAYONET
 MATERIAL & FINISH:
 CAP-ALUMINUM
 GREY ANODIZE
 CHAIN- BRASS CADMIUM PLATE CLEAR
 RUBBER GASKET SUPPLIED BY MFG.

STANDARD DRAWING

REQ. ITEM	PART NO.	DESCRIPTION	SYMBOL
*	STOCK SIZE	THE TECHNICAL MATERIEL CORP. MAMARONECK. NEW YORK	
*	MATERIAL	CAP & CHAIN	
*	TYPE & TEMPER	G.D.L @ 12-4-64	
*	HEAT TREAT. SPEC.		
*	FINISH & SPEC. NO.		

DATE	12-7-64	CH. NO.	Ø	DRAFTS	J.L.	CHECKER	ENG. APP.
SCALE	Ø						
DATE	10-27-64	CH. NO.		DRAFTS	G.D.L	CHECKER	ENG. APP.
SCALE							
CODE	C	5401-71	(67-1467)				

DECIMALS	± .05	FRACTIONS	± 1/64
ANGLES	± .05 °	ANGLES	± .05 °
TOLERANCES	± .005	TOLERANCES	± .005