

THE CONTENTS OF THIS DRAWING ARE THE EXCLUSIVE PROPERTY OF THE TECHNICAL MATERIEL CORP. ITS UNAUTHORIZED USE OR REPRODUCTION IN WHOLE OR IN PART IS STRICTLY FORBIDDEN.

REQ. PER UNIT

USED ON ASS'Y. NO.

DATE

HB-115

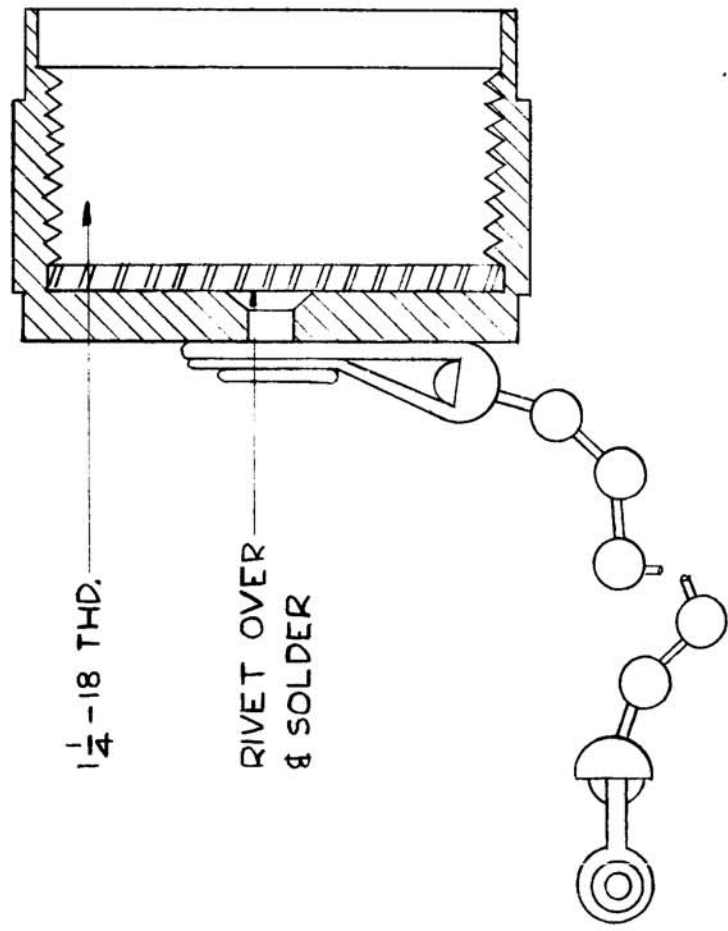
MODEL

11-20-61

ELECTRICAL SPECIFICATIONS
 SERIES - LC
 MATES - JJ-174, JJ-206

NOTES:

MATERIAL
 BODY - BRASS
 FINISH - SILVER PLATE &
 RHODIUM FLASH
 CHAIN LENGTH - 7 1/2 INCHES



UNLESS OTHERWISE SPECIFIED:
 DIMENSIONS ARE IN INCHES
 TOLERANCES ON
 FRAC. ± 1/64 DEC. ± .005 ANGLES ± 1/2°

SCALE: S-401-70-334
 MAXIMUM ALLOWABLE TOLERANCES HAVE BEEN DETERMINED AND ANY DEVIATIONS WILL BE CAUSE FOR REJECTION.
 REMOVE ALL BURRS AND SHARP EDGES

DATE CH. NO. DRAFTS CHECKER ENG. APP.

TYPE & TEMPER HEAT TREAT. SPEC.

DRAWN

CHECKED

FINAL APPROVAL

SYMBOL

REQ. ITEM	PART NO.	DESCRIPTION	SYMBOL
		THE TECHNICAL MATERIEL CORP. MAMARONECK, NEW YORK	
		SEE NOTES	
		MATERIAL	
		SEE NOTES	
		FINISH & SPEC. NO.	
		ELEC. DES. APP. MECH. DES. APP.	
		SCALE: S-401-70-334	
		MAXIMUM ALLOWABLE TOLERANCES HAVE BEEN DETERMINED AND ANY DEVIATIONS WILL BE CAUSE FOR REJECTION. REMOVE ALL BURRS AND SHARP EDGES	
		DATE CH. NO. DRAFTS CHECKER ENG. APP.	
		TYPE & TEMPER HEAT TREAT. SPEC.	
		DRAWN	
		CHECKED	
		FINAL APPROVAL	
		SYMBOL	