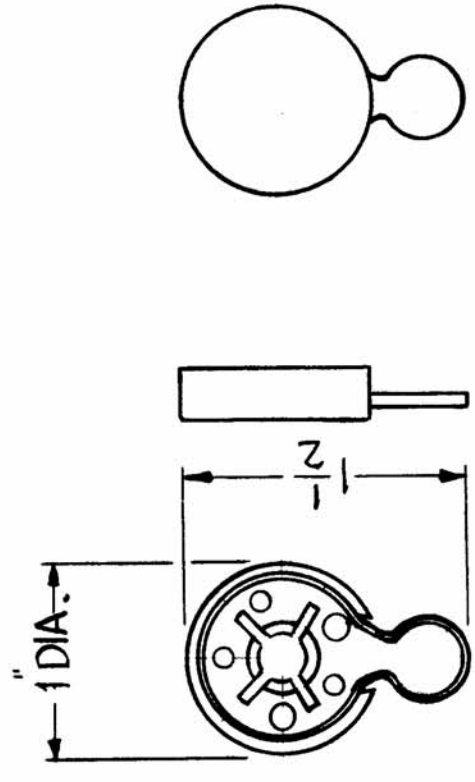


REQ. PER UNIT	USED ON	MODEL	DATE
2	ASSY. NO.	CON	12-10-59
HB-114			

SPECIFICATIONS ~
 660 WATTS
 250 VOLTS AC
 COLOR ~ BLACK



(INSIDE VIEW)

NOTE FOR USE WITH:
 TMC PT. NOS BI-108 & TS-145

REQ. ITEM	PART NO.	DESCRIPTION	SYMBOL
		THE TECHNICAL MATERIEL CORP. MAMARONECK, NEW YORK	
		CAP, CONNECTOR (SHALLOW COLLAR)	
		J.C. Biele	Checked
		Drawn	Final Approval
		TYPE & TEMPER	
		HEAT TREAT. SPEC.	
		FINISH & SPEC. NO.	HB-114
<p>ISSUE ITEM CHANGED FROM</p> <p>TOLERANCES</p> <p>SCALE: 5401-83 (3890)</p> <p>MAXIMUM ALLOWABLE TOLERANCES HAVE BEEN DETERMINED AND ANY DEVIATIONS WILL BE CAUSE FOR REJECTION. REMOVE ALL BURRS AND SHARP EDGES</p> <p>DEC. DIM. ± FRAC. DIM. ± ANGULAR DIM. ±</p>			