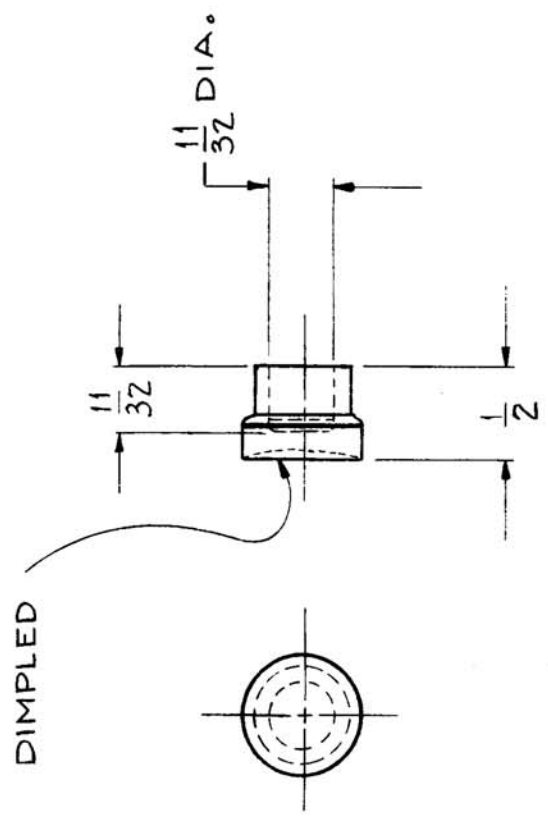


REQ. PER. UNIT	MODEL	USED ON ASS'Y. NO.	DATE
	GPT 10K		4 ~ 20 ~ 59

HB-11Z			
--------	--	--	--

TMC PART NO.	CAT. NO.	MATERIAL	COLOR
HB-11Z-1	3391-194	PHENOLIC	RED
-2	3391-194	PHENOLIC	BLACK



REQ. ITEM	PART NO.	DESCRIPTION	SYMBOL
		THE TECHNICAL MATERIEL CORP. MAMARONECK, NEW YORK	
		BUTTON KNOBS	
		SNAP-ON TYPE	
		J.C. BIELE	JCB
		DRAWN	CHECKED
		TYPE & TEMPER	HEAT TREAT. SPEC.
		FINISH & SPEC. NO.	
			FINAL APPROVAL
			HB-11Z

SCALE: S-401-38

MAXIMUM ALLOWABLE TOLERANCES HAVE BEEN DETERMINED AND ANY DEVIATIONS WILL BE CAUSE FOR REJECTION. REMOVE ALL BURRS AND SHARP EDGES