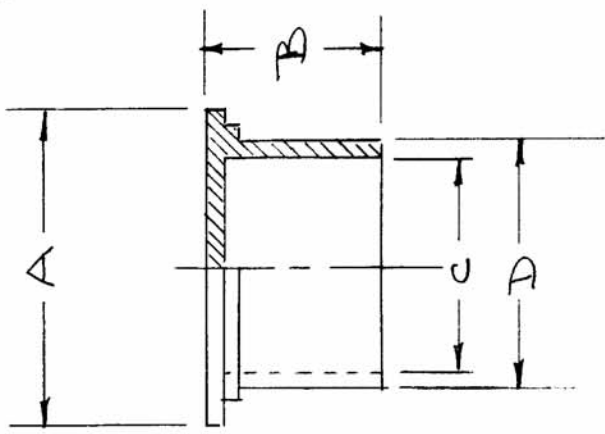


HB-110

USED ON
MODEL ASS'Y. NO. DATE

REQ. PER UNIT

TMC NUMBER	MFG. NUMBER	FOR MS CONNECTOR SHELL SIZE		CONNECTOR THREAD SIZE	DIMENSIONS			
		COUPLING END OF	CONDUIT END OF		A +.010	B +1/64	C	D +1/64
HB-110-1	025-0459-000	85	85, 10S	1/2	.719	.425	.489	.539
HB-110-2	025-0460-000	10S, 10SL	10SL, 12, 12SL	5/8	.833	.685	.603	.653
HB-110-3	025-0462-000	12, 12S	14, 14S	3/4	.958	"	.728	.778
HB-110-4	025-0463-000	14, 14S	16, 16S	7/8	1.083	"	.853	.903
HB-110-5	025-0498-000	16, 16S	18	1	1.225	"	.985	1.045
HB-110-6	025-0501-000	28	32	1 3/4	1.970	"	1.730	1.790
HB-110-7	025-0502-000	32	36	2	2.230	"	1.980	2.040
HB-110-8	025-0503-000	36	40	2 1/4	2.480	"	2.230	2.290
HB-110-9	025-0504-000	40	44	2 1/2	2.732	"	2.480	2.540
HB-110-10	025-0505-000	48	48	3	3.242	"	2.980	3.040
HB-110-11	025-0507-000	18		1 1/8	1.350	"	1.110	1.170
HB-110-12	025-0468-000	20		1 1/4	1.485	"	1.235	1.295
HB-110-13	025-0469-000	22		1 3/8	1.610	"	1.360	1.420
HB-110-14	025-0510-000	24		1 1/2	1.725	"	1.485	1.545
HB-110-15	025-0511-000	44		2 3/4	2.992	"	2.730	2.790
HB-110-16	025-0499-000		20, 22	1 3/16	1.412	"	1.172	1.232
HB-110-17	025-0500-000		24, 28	1 7/16	1.662	"	1.422	1.482



CANNON ELECT. CO.

REQ. ITEM	PART NO.	DESCRIPTION	SYMBOL
		THE TECHNICAL MATERIEL CORP. MAMARONECK. NEW YORK	
		POLYETHYLENE	
		CAP, DUST, PLASTIC	
		MS CONNECTOR	
		LG	
		CHECKED	
		DRAWN	
		FINAL APPROVAL	
		HB-110	
		ELEC. DES. APP. MECH. DES. APP.	

SCALE:
MAXIMUM ALLOWABLE TOLERANCES HAVE BEEN DETERMINED AND ANY DEVIATIONS WILL BE CAUSE FOR REJECTION.
REMOVE ALL BURRS AND SHARP EDGES

TOLERANCES
DEC. DIM. ±
FRAC. DIM. ±
ANGULAR DIM. ±