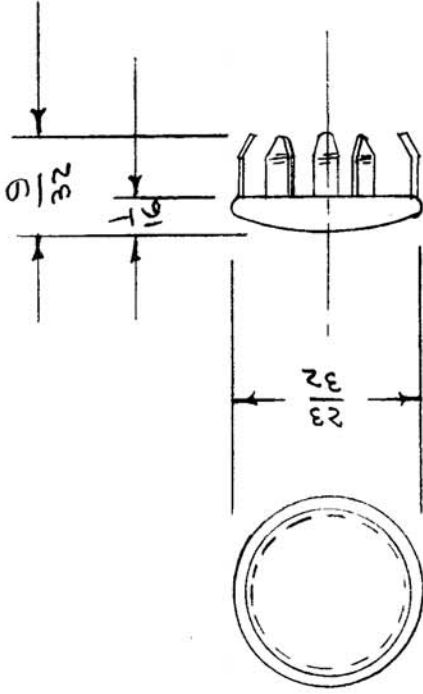


IF IT IS FOUND DESIRABLE TO CHANGE ANY TOLERANCE OR OTHER DETAIL SPECIFIED ON THIS DRAWING NOTIFY THE PURCHASER PROMPTLY.

MAXIMUM ALLOWABLE TOLERANCES HAVE BEEN DETERMINED AND DEVIATIONS WILL BE CAUSE FOR REJECTION. REMOVE ALL BURRS AND SHARP EDGES



HOLE SIZE - 9/16
 PANEL THICKNESS - .062 - .078
 NO. PROXGS - 8

DIM. FOR REF. ONLY

REF: UNITED-CARR FAST. CORP. CAT. # 51156

HB-105

USED ON

REQ. PER UNIT

MODEL

PROJECT NO.

ASS'Y. NO.

DATE

1

GPR(S)(R)

257

4-11-55

REQ. ITEM	PART NO.	DESCRIPTION	SYMBOL
		THE TECHNICAL MATERIEL CORP.	
		MAMARONECK. NEW YORK	
1050 STEEL		PLUG BUTTON	
MATERIAL		GPR (S) (R)	
TYPE & TEMPER		ODD. 4-11-55	THH
HEAT TREAT. SPEC.		DRAWN	ELEC. DES. APP. MECH. DES. APP.
FINISH & SPEC. NO.		CHECKED	FINAL APPROVAL
			HB-105

ISSUE ITEM	CHANGED FROM	DATE	CN. NO.	DRAFTS	CHECKER	ENG. APP.
TOLERANCES						
SCALE						
DRILL, PUNCH, COMMERCIAL STOCK SIZES AND MANUFACTURERS TOLERANCES ARE NOT INCLUDED.						
DEC. DIM. ±						
FRAC. DIM. ±						
ANGULAR DIM. ±						