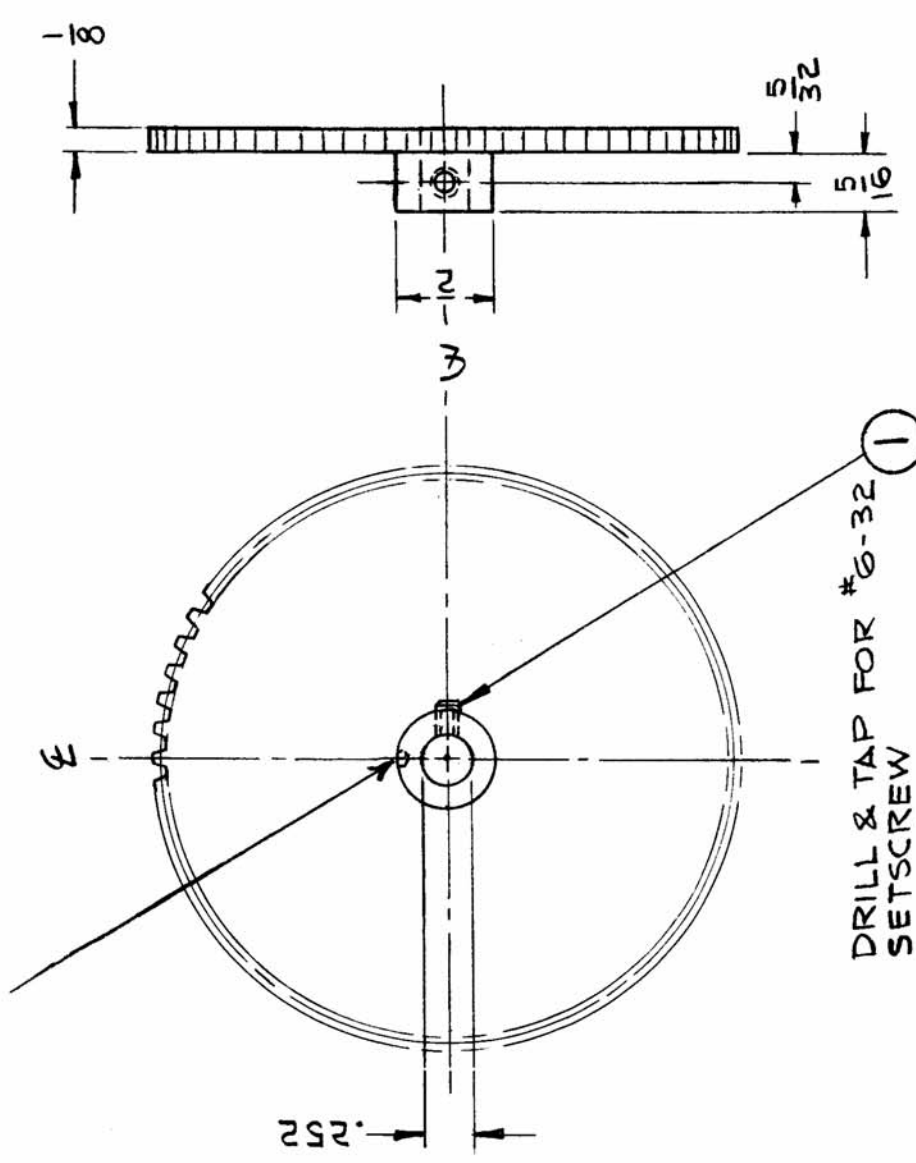


REQ. PER UNIT	1
MODEL	CHG-2A
ABBY. NO.	A3595
DATE	8-9-63
USED ON	
GR-202 B	

#50 SUB-DRILL (PART WAY)



PITCH DIA 3.000
 PITCH 48
 NO. OF TEETH 144
 HUB DIA .500
 HUB PROJ. .312
 BORE .252^{+0.002}_{-0.001}
 FACE .125
 STYLE WEB
 PRESSURE 14 1/2°

REQ. ITEM	1 1	SLHCO632553	SETSCREW	SYMBOL	
STOCK SIZE				DESCRIPTION	
				KRUY	
MATERIAL				THE TECHNICAL MATERIEL CORP.	
				MAMARONECK	
				GEAR, IDLER	
TYPE & TEMPER	1/2 H			DRAWN	
HEAT TREAT. SPEC.				CHECKED	8/22/63
FINISH & SPEC. NO.				ELEC. DES. APP.	
				MECH. DES. APP.	
					GR-202 B

DATE	12/29/65	15459	JV	11/1
SCALE	8:24:64		MB	
DESCRIPTION	CLERICAL CHANGE			
UNLESS OTHERWISE SPECIFIED				
DIMENSIONS ARE IN INCHES AND INCLUDE				
CHEMICALLY APPLIED OR PLATED FINISHES				
TOLERANCES				
DECIMALS				
.X ± .05				
.XX ± .01				
.XXX ± .005				