

LETTERING APPROX. SIZE SHOWN, BLACK GOTHIC

B
FX266

REVISIONS					
SYM	DESCRIPTION	DATE	E.M.N. NO.	DRAFT	CHKD
X	EXPERIMENTAL RELEASE	10/11/66	X	RME	RU
Ø	ORIGINAL RELEASE FOR PROD.	10/24/66	Ø	RME	
A	CHG'D TEST DIAGRAM	11/2/66	17174	RME	
B	CHG'D 6dB TO 10dB (INSERTION LOSS)	12/15/66	17494	RME	

SPECIFICATIONS

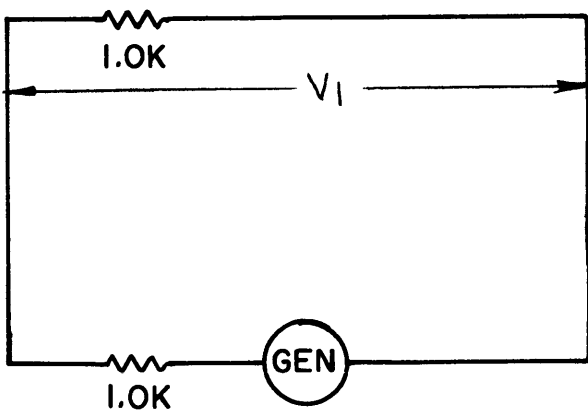
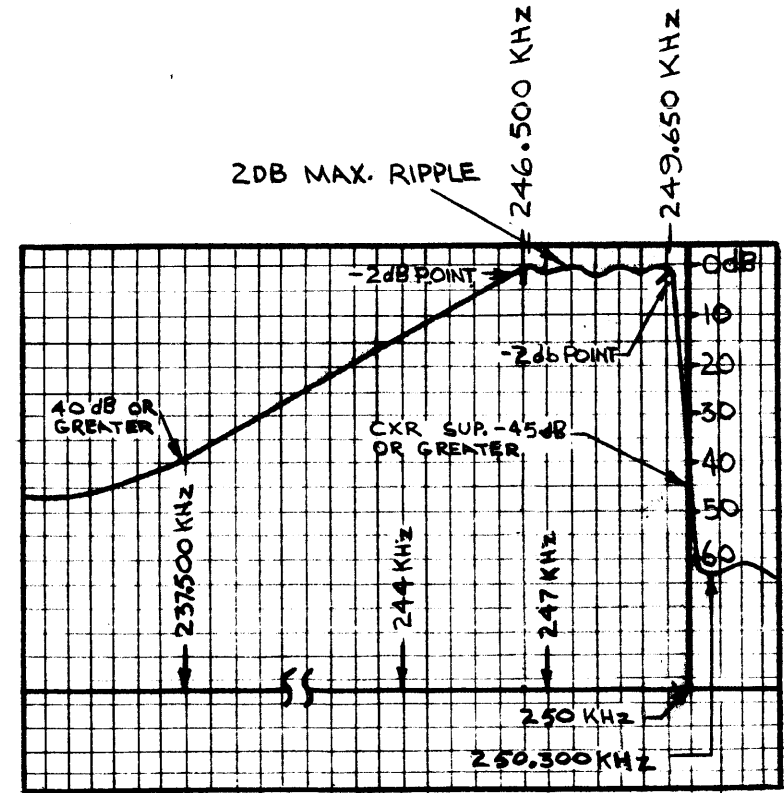
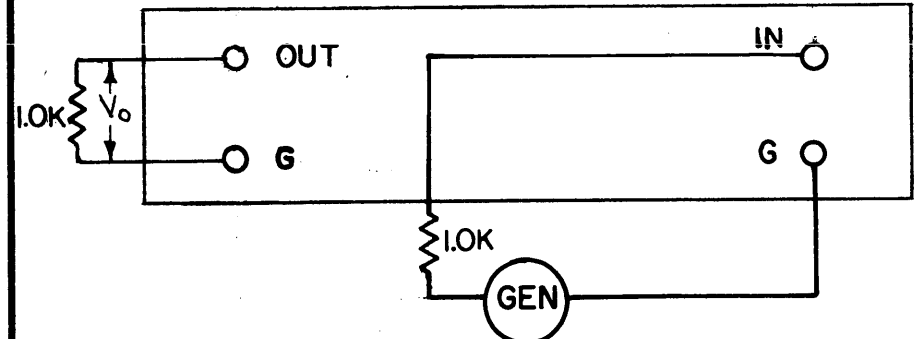
ELECTRICAL:

TYPE: LOWER SIDEBAND
 CARRIER FREQUENCY: 250 KHz
 CARRIER SUPPRESSION: -45 dB OR GREATER
 -2DB POINTS: 249.650 KHz MIN 246.500 ± 500 Hz
 TRAILING SLOPE: 237.5 KHz 40 dB OR MORE
 UNWANTED SIDEBAND ATTENUATION: GREATER THAN -60 dB FOR FREQUENCIES HIGHER THAN 250.300 KHz INCLUDING ALL RETURN LOBES AND SPURIOUS
 MAXIMUM PASSBAND RIPPLE: 2 dB
 INSERTION LOSS: 10 dB MAX
 INPUT IMPEDANCE: 10 K UNBALANCED
 OUTPUT IMPEDANCE: 10 K UNBALANCED
 TEMPERATURE RANGE: 0° TO 70°C

MECHANICAL:

CASE: STEEL, HERMETICALLY SEALED
 FINISH: BRUSHED NICKEL OR POWDER BLASTED BRIGHT NICKEL
 MOUNTING: 4-40 x 1/4" STUDS (2 REQ)
 TERMINAL: DOUBLE END PIN TYPE, BRASS, SILVER PLATED, BEAD INS
 NOTE: TERMINAL END UNPAINTED

INSERTION (LOSS OR GAIN) ± (V₁ - V₀) IN dB



NOTES

Q'TY./UNIT	MMX - 1	MODEL USED ON	ASS'Y. NO.
SCALE		CODE	S401-308()

THE CONTENTS OF THIS DRAWING ARE THE EXCLUSIVE PROPERTY OF THE TECHNICAL MATERIEL CORP. ITS UNAUTHORIZED USE OR REPRODUCTION IN WHOLE OR IN PART IS STRICTLY FORBIDDEN.

REQ'D.	ITEM	PART NUMBER	DESCRIPTION	SYMBOL
--------	------	-------------	-------------	--------

LIST OF MATERIAL

MATERIAL	SEE MECHANICAL SPECS			
FINISH	SEE MECHANICAL SPECS			
UNLESS OTHERWISE SPECIFIED DIMENSIONS ARE IN INCHES AND INCLUDE CHEMICALLY APPLIED OR PLATED FINISHES		THE TECHNICAL MATERIEL CORP. MAMARONECK, NEW YORK		
TITLE LOWER SIDEBAND FILTER BANDPASS 3.5 KHz		DATE		
DRAWN	RME	DATE	10/11/66	FINAL APPROVAL
CHECKED	[Signature]	DATE	10/13/66	[Signature]
ELECT. DES.	[Signature]	DATE	10/15/66	FX 266
MECH. DES.		DATE		B
DECIMALS				FRACTIONS
.X ± .05		TOLERANCES		± 1/64
.XX ± .01				ANGLES
.XXX ± .005				± 0° 30'

M. L. KLEIN
10/24/66