

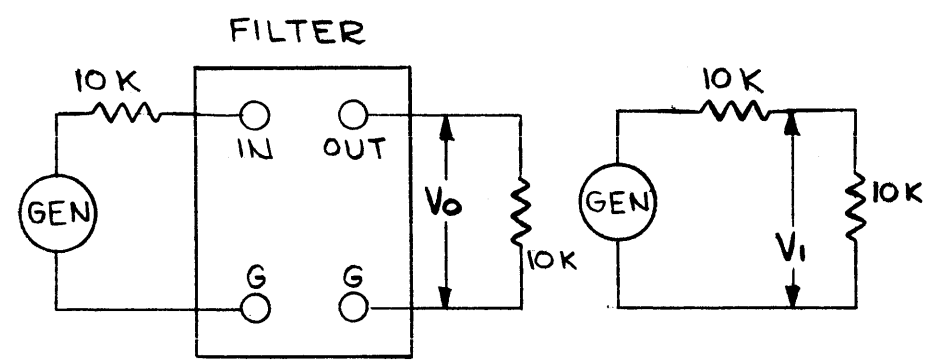
B  
FX-191

REVISIONS

SYM	DESCRIPTION	DATE	E.M.N. NO.	DRAFT	CHKD	APPD
0	ORIGINAL RELEASE FOR PRODUCTION	4/1/64				
A	CLERICAL CHANGE	4/3/65	CC	X.V.	JB	
B	-2db WAS -3db; ADD. "OR BRUSHED NICKEL"	11/31/65	15638	H.L.A.	JB	MM

FX-191  
LOWER SIDEBAND  
FILTER  
THE TECHNICAL MATERIEL  
CORPORATION  
MAMARONECK, NEW YORK

LETTERING APPROX. SIZE  
SHOWN, BLACK GOTHIC.



**ELECTRICAL SPECIFICATIONS**  
TYPE: LOWER SIDEBAND

CARRIER FREQUENCY: 250 KC  
 CARRIER SUPPRESSION: -20 db OR GREATER  
 -2db POINTS: 249.725KC, MIN, 244.000 KC ±500 CPS  
 TRAILING SLOPE: 237.5 40 db OR MORE  
 UNWANTED SIDEBAND ATTENUATION: GREATER THAN -60 db FOR FREQUENCIES  
 HIGHER THAN 250.300 KC, INCLUDING ALL RETURN LOBES AND  
 SPURIOUS $\mu$   
 MAXIMUM PASSBAND RIPPLE: 2 db  
 INSERTION LOSS: 11.5 ± 1 db  
 INPUT IMPEDANCE: 10 K UNBALANCED  
 OUTPUT IMPEDANCE: 10 K UNBALANCED  
 TEMPERATURE RANGE: 0° TO 70°C

**MECHANICAL SPECIFICATION:**

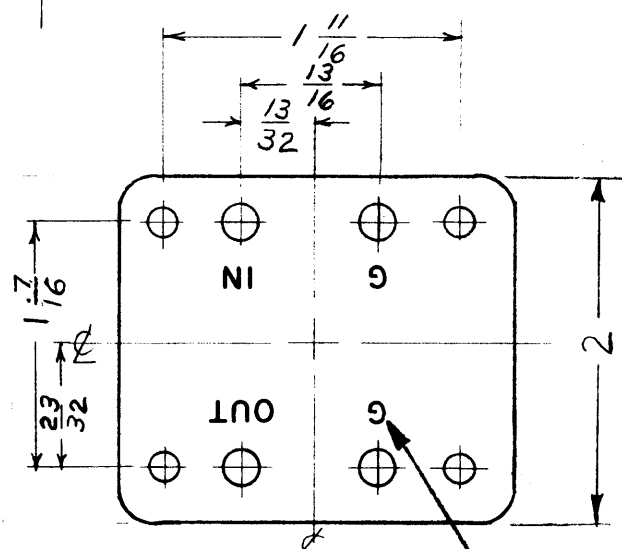
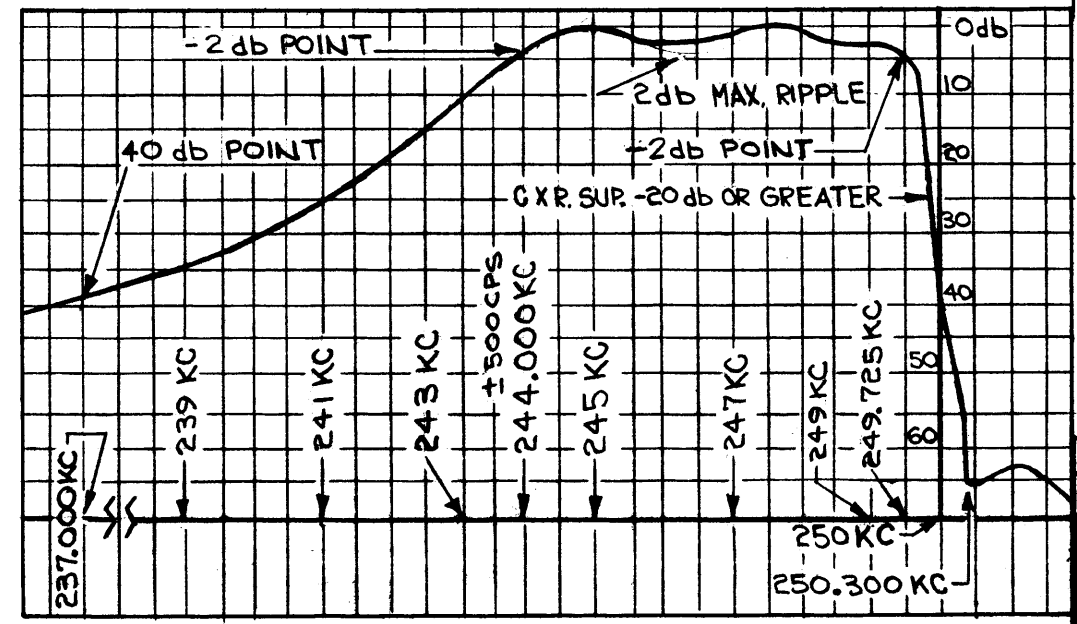
CASE: Steel, Hermetically Sealed  
 FINISH: TMC Gray (S-115) or Brushed Nickel  
 NOTE: Terminal End Unpainted  
 MOUNTING: 6-32 X 3/8 studs (4 reg.)  
 TERMINAL: Double End Pin Type, Brass, Silver Plat d,  
 Bead Insulation

2  $\frac{9}{32}$

3  $\frac{3}{32}$  MAX

3/10

6-32 x 3/8 STUDS (4 REQ)



NOTES

METAL STAMP 1/8 HIGH  
GOTHIC AS SHOWN.

1	SBE-4, SBE-10	AX-464
QTY./UNIT	MODEL USED ON	5257104
SCALE	CODE	
H	C	
THE CONTENTS OF THIS DRAWING ARE THE EXCLUSIVE PROPERTY OF THE TECHNICAL MATERIEL CORP. ITS UNAUTHORIZED USE OR REPRODUCTION IN WHOLE OR IN PART IS STRICTLY FORBIDDEN.		

INSERTION (LOSS OR GAIN) = ±(V<sub>1</sub>-V<sub>0</sub>) IN DB

REQ'D.	ITEM	PART NUMBER	DESCRIPTION	SYMBOL
PRITCHARD LIST OF MATERIAL				
MATERIAL			THE TECHNICAL MATERIEL CORP. MAMARONECK, NEW YORK	
SEE MECH. SPEC			TITLE LOWER SIDEBAND FILTER BANDPASS	
FINISH			DRAWN	
SEE MECH SPEC.			A. MARINO	
UNLESS OTHERWISE SPECIFIED			DATE	
DIMENSIONS ARE IN INCHES AND INCLUDE			2-25-64	
CHEMICALLY APPLIED OR PLATED FINISHES			CHECKED @	
DECIMALS			DATE	
.X ± .05			3-25-64	
.XX ± .01			DATE	
.XXX ± .005			3-31-64	
FRACTIONS			ELECT. DES.	
± 1/64			MECH. DES.	
ANGLES			DATE	
± 0° 30'			FX-191	
			SHEET	
			REV. LTR.	
			B	
			4-2-64	