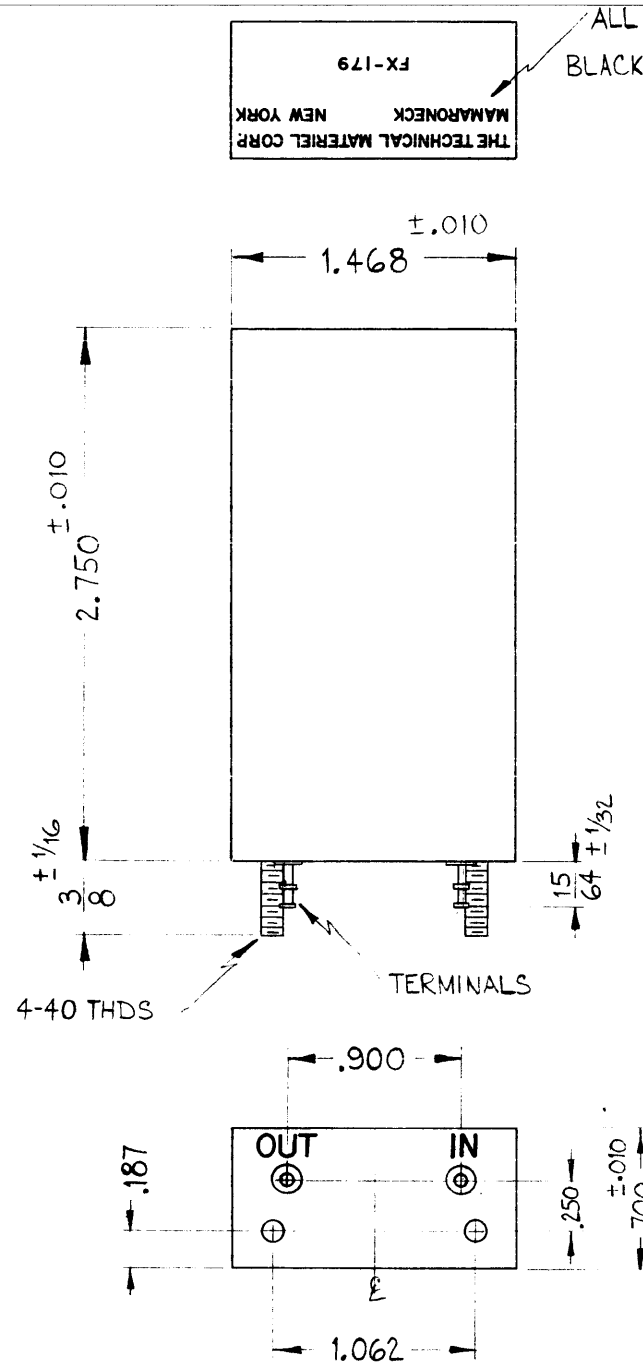


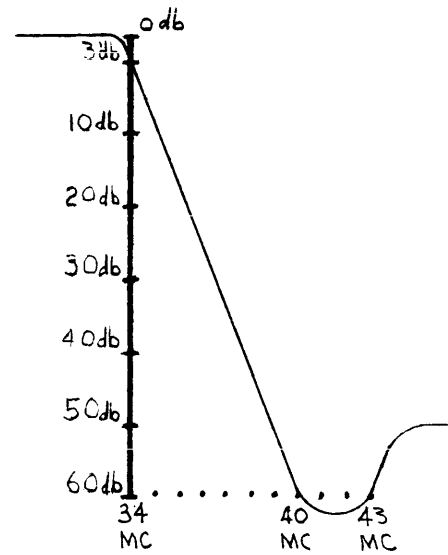
FX-179

THE CONTENTS OF THIS DRAWING ARE THE EXCLUSIVE PROPERTY OF THE TECHNICAL MATERIEL CORP. ITS UNAUTHORIZED USE OR REPRODUCTION IN WHOLE OR IN PART IS STRICTLY FORBIDDEN.



FX-179  
MAMARONECK  
NEW YORK  
THE TECHNICAL MATERIEL CORP.

ALL LETTERING TO BE BLACK GOTHIC AS SHOWN.

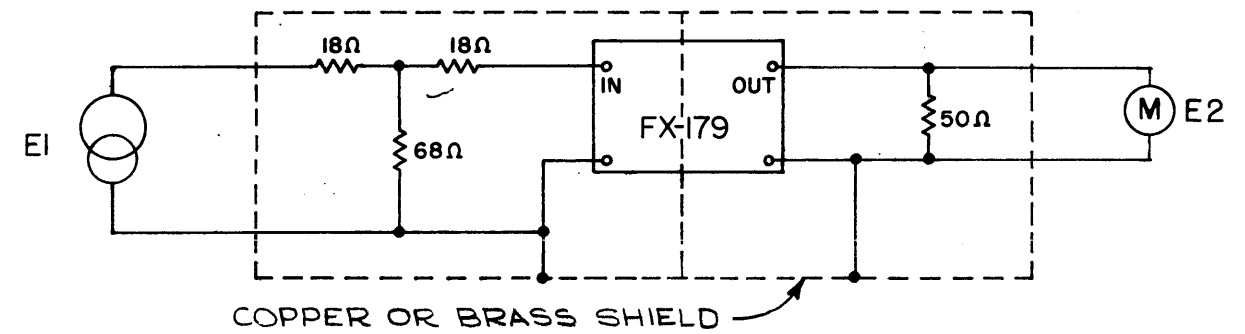


ELECTRICAL SPECIFICATIONS-

- INPUT & OUTPUT IMPEDANCE ~ 50 OHMS.
- INSERTION LOSS ~ EQUAL TO OR LESS THAN 1DB.
- RIPPLE IN PASS BAND ~ EQUAL TO OR LESS THAN .2DB.
- ATTENUATION ~ EQUAL TO OR LESS THAN 3DB @ 34.0MC.
- EQUAL TO OR MORE THAN 60DB @ 40.0MC.
- EQUAL TO OR MORE THAN -50DB @ 43.0MC. AND ABOVE
- ALL RESISTORS ± 1% NON-INDUCTIVE CARBON.

TO BE MEASURED WITH THE FOLLOWING EQUIPMENT:

- 1-BOONTON 91C VOLT METER.
- 2-OSCILLATOR - GENERAL RADIO MODEL 1211B
- 3-"E1" INPUT IS KEPT CONSTANT OVER FREQUENCY RANGE.



① INSERTION LOSS @ 15MC =  $[20 \text{ Log } \frac{E1}{E2}] - 6 \text{ db}$

B	CHG'D ELEC. SPECS ON ATEN. TO 34.0MC, 40.0MC, & 43.0. ADDED ATEN. CURVE TO PICT.	B-8-66	16729	RME	<i>JCF</i>	<i>MR</i>
A	TEST SCHEMATIC & NOTE ① ADDED	B-23-63	9064	<i>C</i>	<i>NY</i>	<i>WSE</i>
SYM	DESCRIPTION	DATE	CH. NO.	DRAFTS	CHECKER	ENG. APP.
UNLESS OTHERWISE SPECIFIED:		SCALE: 3401-151				
DIMENSIONS ARE IN INCHES		MAXIMUM ALLOWABLE TOLERANCES HAVE BEEN DETERMINED AND ANY DEVIATIONS WILL BE CAUSE FOR REJECTION.				
TOLERANCES ON FRACTIONS ± 1/64 DECIMALS ± .005 ANGLES ± 1/2°		REMOVE ALL BURRS AND SHARP EDGES				

1	HFS-1				
REQ. PER UNIT	MODEL	SECTION	ASS'Y. NO.	DATE	USED ON
				B-17-62	

REQ.	ITEM	PART NO.	J. STRUMER	DESCRIPTION	SYMBOL
	# 26 GA			THE TECHNICAL MATERIEL CORP.	
	STEEL			MAMARONECK, NEW YORK	
				FILTER, LOW PASS 34 MC	
	SOFT C.R.		<i>M.A.F.</i>	<i>J.We</i>	<i>BP</i>
	S115 SMOOTH GREY ENAMEL		<i>JMA</i>	<i>JMA</i>	FX-179
					B