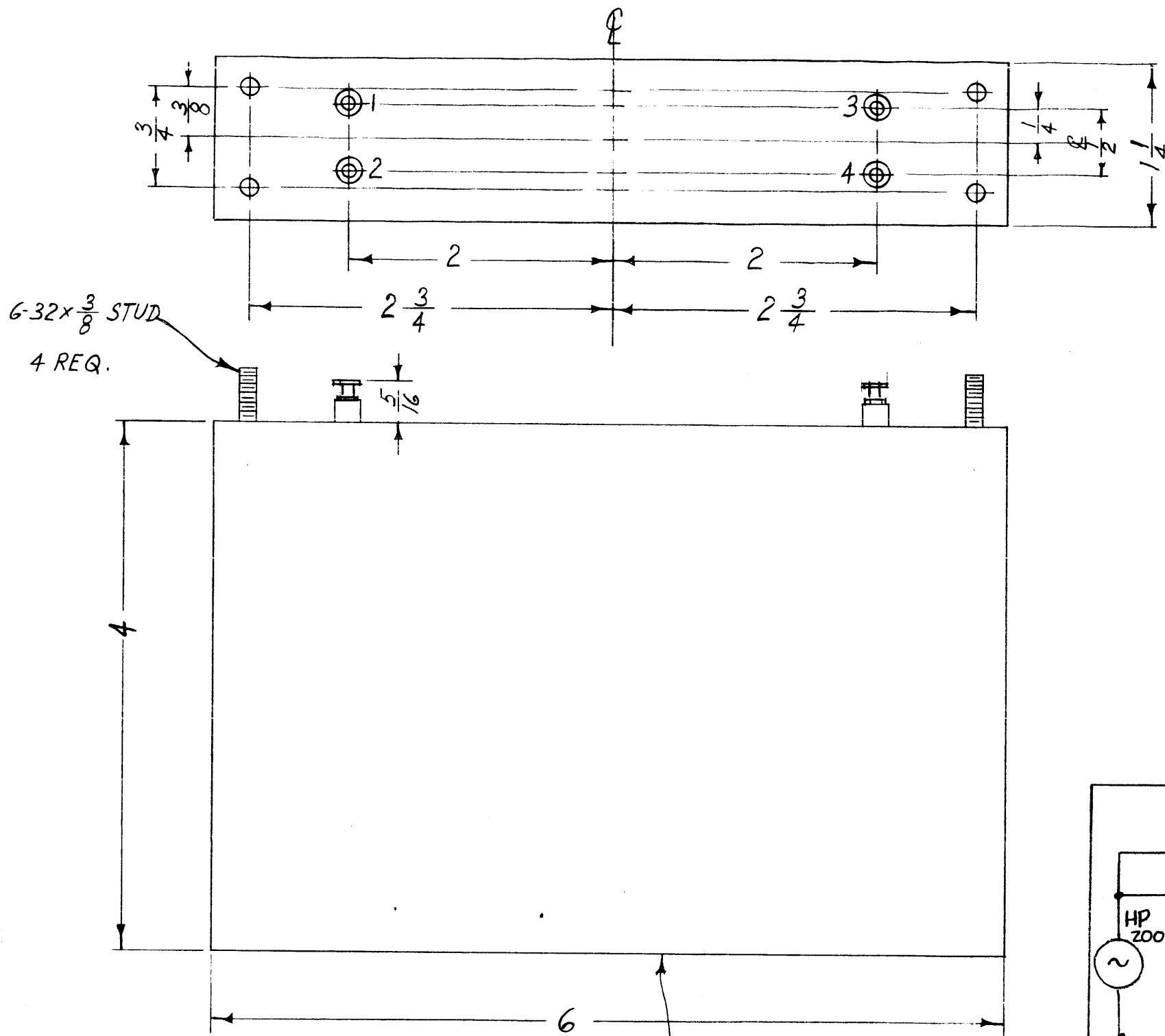


FX-163



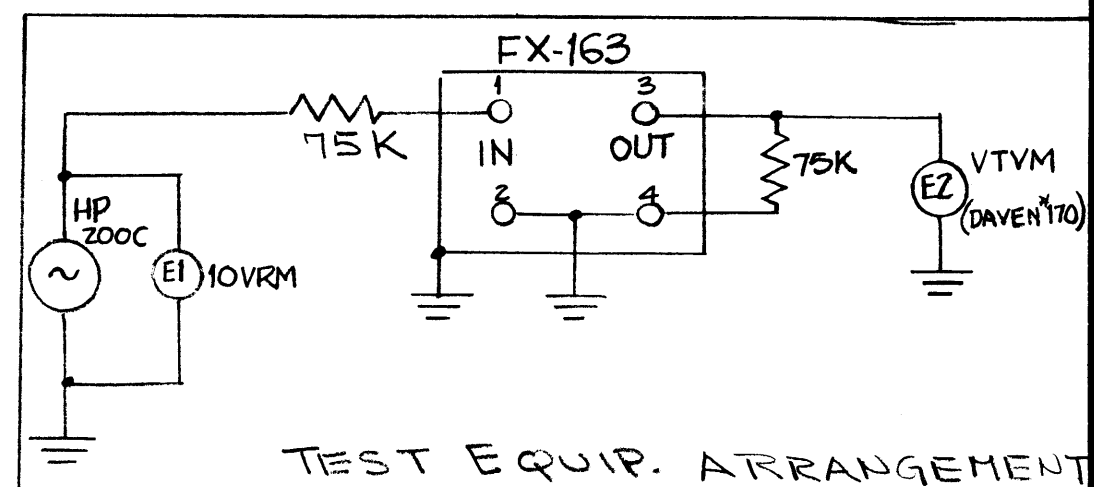
MECHANICAL SPECIFICATIONS:
CASE: RECTANGULAR, STEEL, HERMETICALLY SEALED.
STUDS: 6-32 x 3/8".
FINISH: S115 TMC SMOOTH GREY ENAMEL, EXCEPT STUD END.
SIZE: 1/4 x 6" x 4" HIGH, EXCLUSIVE OF TERM.
TERMINALS: SOLDER LUGS AND TEFLON BUSHINGS.
TERMINALS SHALL BE LETTERED 1 TO 4 AS SHOWN.

ELECTRICAL SPECIFICATIONS:
CENTER FREQUENCY: 17 Kcs ± 3 CPS
BAND PASS: 3DB - 25 CPS ± 3 CPS
60DB - 160 CPS MAXIMUM.
INSERTION LOSS: LESS THAN 6 DB MEASURED AT THE POINT OF MINIMUM LOSS WITHIN THE PASS BAND.
INPUT-OUTPUT IMPEDANCE: 75K

NOTICE TO PERSONS RECEIVING THIS DRAWING
THE TECHNICAL MATERIEL CORPORATION claims proprietary right in the material disclosed hereon. This drawing is issued in confidence for engineering information only and may not be reproduced or used to manufacture anything shown hereon without permission from THE TECHNICAL MATERIEL CORPORATION to the user. This drawing is loaned for mutual assistance and is subject to recall at any time.

Property of:
THE TECHNICAL MATERIEL CORPORATION
MAMARONECK, NEW YORK

STAMP TMC PART NO. FX-163 ON TOP



TEST EQUIP. ARRANGEMENT

ISSUE	ITEM	CHANGED FROM	DATE	CH. NO.	DRAFTS	CHECKER	ENG. APP.
TOLERANCES			SCALE: S401-95 (S-73252)				
DEC. DIM. ±			MAXIMUM ALLOWABLE TOLERANCES HAVE BEEN DETERMINED AND ANY DEVIATIONS WILL BE CAUSE FOR REJECTION. REMOVE ALL BURRS AND SHARP EDGES				
FRAC. DIM. ± 1/64							
ANGULAR DIM. ±							

1	AFC	E-1064P		8-25-60
REQ. PER UNIT	MODEL	PROJECT NO.	ASS'Y. NO.	DATE
USED ON				

REQ. ITEM	PART NO.	DESCRIPTION	SYMBOL
THE TECHNICAL MATERIEL CORP. MAMARONECK, NEW YORK			
STOCK SIZE			
FILTER, BANDPASS 17Kcs			
MATERIAL			
CRYSTAL			
		DRAWN	CHECKED
			FINAL APPROVAL
FINISH & SPEC. NO.		ELEC. DES. APP.	MECH. DES. APP.
			FX-163