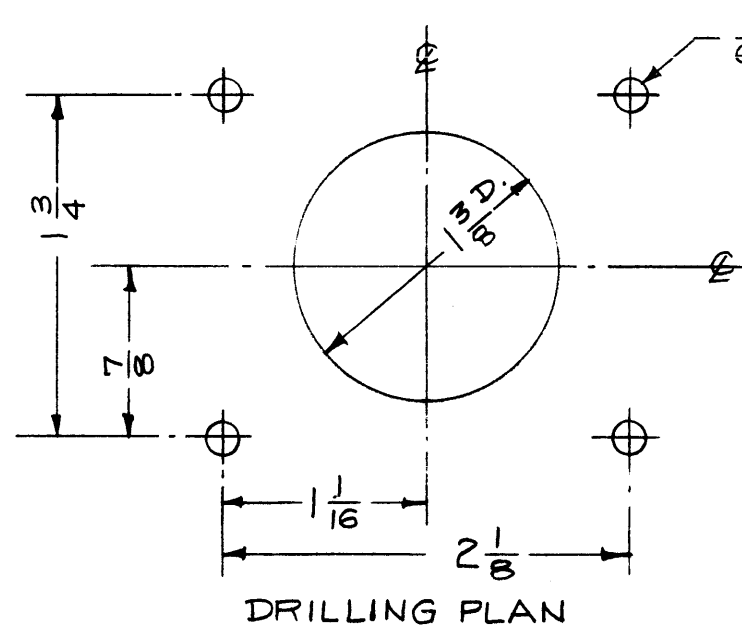


TMC
FX-155



SPECIFICATIONS

MECHANICAL
CASE — Steel, Hot tinned.
FINISH — Smooth Grey Enamel.

ELECTRICAL
BANDPASS - Output must be flat within 3 db in the region of 17.35 Kcs to 20.30 Kcs
BAND REJECTION - Output must be down at least 50.0db at 16.60 Kcs. and at 22.70 Kcs.
INSERTION LOSS - Less than 4 db at the point of minimum loss within bandpass.
INPUT IMPEDANCE - 1000Ω bal/unbal. (Split Primary)
OUTPUT IMPEDANCE - 10,000Ω unbal. (internally terminated)

THE TECHNICAL MATERIEL CORP.
MAMARONECK, NEW YORK

ISSUE	ITEM	CHANGED FROM	DATE	CH. NO.	DRAFTS	CHECKER	ENG. APP.
A	1	DIM. CHG'D. FROM 2-19/64 X 2-43/64 to 2-3/8 X 2-3/4 AS PER BX-111.	1/8/58	1	16	JALDE	[Signature]
TOLERANCES			4A-1427				
DEC. DIM. ±			MAXIMUM ALLOWABLE TOLERANCES HAVE BEEN DETERMINED AND ANY DEVIATIONS WILL BE CAUSE FOR REJECTION.				
FRAC. DIM. ± 1/64			REMOVE ALL BURRS AND SHARP EDGES				
ANGULAR DIM. ±							

1	SBE-1+2	USB	Z102	6-21-57
REQ. PER UNIT	MODEL	USE	SYMBOL	DATE
USED ON				

REQ. ITEM	PART NO.	DESCRIPTION	SYMBOL
	//	THE TECHNICAL MATERIEL CORP. MAMARONECK, NEW YORK	
	//	FILTER, BANDPASS (FX-155)	
	//	166-21-57	[Signature]
	//	TYPE & TEMPER	CHECKED
	//	HEAT TREAT. SPEC.	FINAL APPROVAL
	//	DRAWN	[Signature]
	//	ELEC. DES. APP.	FX-155
	//	MECH. DES. APP.	A