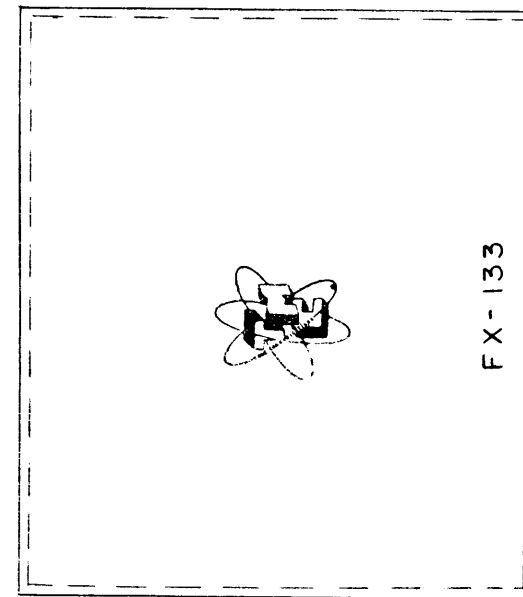
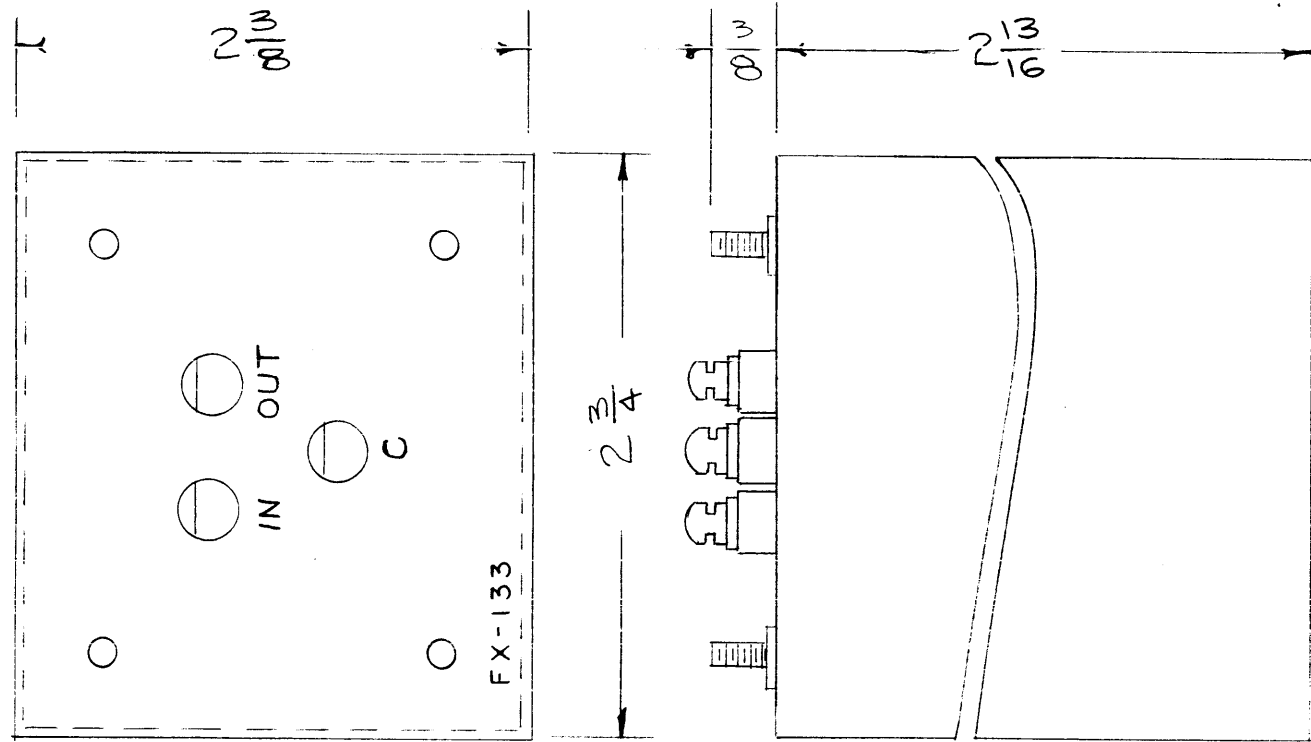
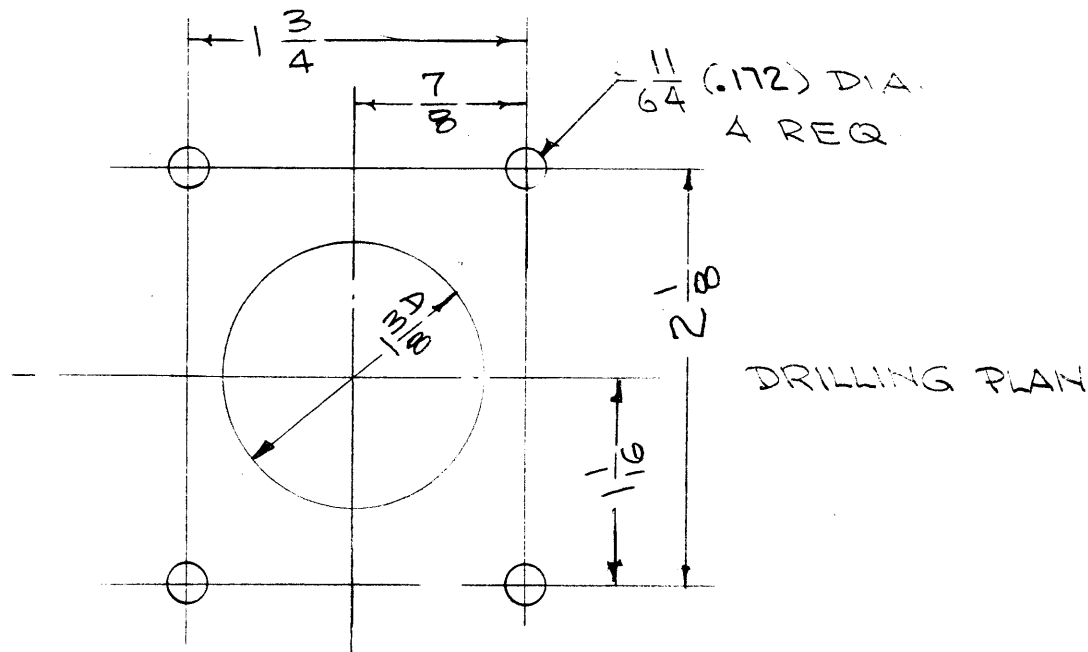


EX-133 C



MECHANICAL SPECIFICATIONS
CASE - STEEL (BX-125)
STUDS - 6-32 x 3/8
COLOR - GRAY
FILLER - COMPOUND

ELECTRICAL SPECIFICATIONS
FILTER UNIT HAS A BAND PASS ESSENTIALLY FLAT WITHIN ± 2db. FROM 0 TO 3200 CPS; AT 4500 CPS THE ATTENUATION MUST BE NO LESS THAN 40 db. AT NO POINT BETWEEN 4500 CPS AND 20 KC SHALL THE ATTENUATION FALL BELOW 40 db. INSERTION LOSS 5db. OR LESS



THIS DRAWING IS THE PROPERTY OF THE TECHNICAL MATERIEL CORPORATION
IT IS LOANED TO YOU FOR YOUR USE ONLY
IT IS NOT TO BE REPRODUCED OR USED FOR ANY OTHER PURPOSE
IT IS TO BE RETURNED TO THE TECHNICAL MATERIEL CORPORATION
AT THE END OF YOUR USE
PROPERTY OF THE TECHNICAL MATERIEL CORPORATION
MAMARONECK, NEW YORK

ISSUE	ITEM	CHANGED FROM	DATE	CH. NO.	DRAFTS	CHECKER	ENG. APP.
C	2	STUDS WERE 8-32 X 3/8	7-17-63	9614	1	J.H.	[Signature]
	1	4 HOLES WERE 13/64 DIA					
B	1	COMPLETE CHISE AS PER BX-125 (WAS BX-115)	1/6/58	2	16	[Signature]	[Signature]
A	2	TERMS CHANGED	10/9/58	1	1000	[Signature]	[Signature]
	1	DRILLING PLAN CHGD.					

TOLERANCES		SCALE:
DEC. DIM. ±		MAXIMUM ALLOWABLE TOLERANCES HAVE BEEN DETERMINED AND ANY DEVIATIONS WILL BE CAUSE FOR REJECTION. REMOVE ALL BURRS AND SHARP EDGES
FRAC. DIM. ±		
ANGULAR DIM. ±		

REQ. PER UNIT	MODEL	PROJECT NO.	ASS'Y. NO.	DATE

REQ. ITEM	PART NO.	DESCRIPTION	SYMBOL
		THE TECHNICAL MATERIEL CORP. MAMARONECK, NEW YORK	
		STOCK SIZE	
		FILTER, LOW PASS	
		FX-133	
		MATERIAL	
		TYPE & TEMPER	
		HEAT TREAT. SPEC.	
		DRAWN	
		CHECKED	
		FINAL APPROVAL	
		FINISH & SPEC. NO.	
		ELEC. DES. APP.	
		MECH. DES. APP.	