

# STANDARD DRAWING

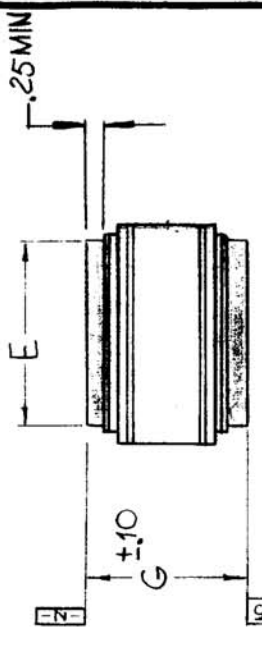
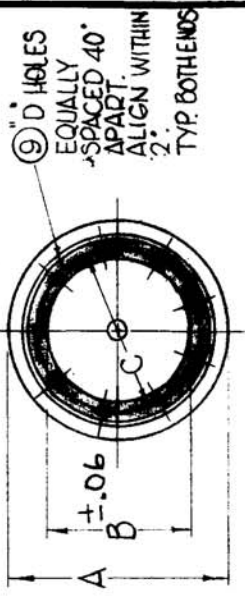
CO109 C

USED ON  
ASSY. NO.  
DATE  
6-25-63  
6-25-63

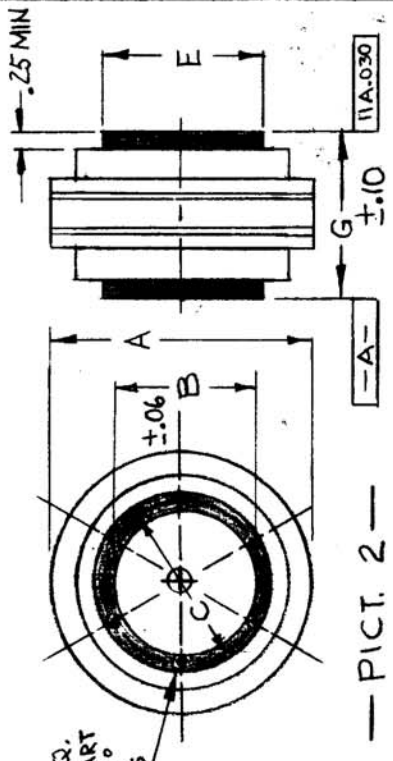
REQ. PER UNIT  
MODEL

THE CONTENTS OF THIS DRAWING ARE THE EXCLUSIVE PROPERTY OF THE TECHNICAL MATERIEL CORP. ITS UNAUTHORIZED USE FOR REPRODUCTION IN WHOLE OR IN PART IS STRICTLY FORBIDDEN.

TMC PT NO.	MFG NO.	CAPACITANCE	VOLTAGING PEAK KV	AMPS-RMS CURRENT RATING	DIMENSIONS TYPICAL BOTH ENDS				E	G	PICT REQ.
					A	B	C	D			
CC 109-1	CFEA	1000UWF	25KV	130	4.50	3.050	3.400	1/4-20	3.750	3 1/16	1
CO 109-2	CFHA-200	200UWF	55KV	150	4.50	3.050	3.400	1/4-20	3.750	5 1/16	1
CO 109-3	CFDP2000	± 5% 2000PF	15KV	125	5.50	3.00	3.500	1/4-20	4.000	3.3	2



(REFER TO NOTES 1 & 2 ON PICT 2.)  
— PICT. 1 —



6" D HOLES EQ.  
SPACED 60° APART  
ALIGN WITHIN 2°  
TYP. BOTH ENDS

NOTE FOR PICT. 1 & 2:  
1. BOTH ENDS OF HOLES CONCENTRIC WITHIN .045.  
2. SHADED AREAS INDICATE CONTACT SURFACES.  
3. HOLES TAPPED 7 THD MIN

REQ. ITEM	PART NO.	SYMBOL	DESCRIPTION
		F. BUDETTI	THE TECHNICAL MATERIEL CORP. MAMARONECK. NEW YORK
			CAPACITOR, FIXED VACUUM
			John C. Biele aa
			DRAWN CHECKED FINAL APPROVAL
			EEB [Signature] CO109 C
			ELEC. DES. APP. MECH. DES. APP.
			TYPE & TEMPER. HEAT TREAT. SPEC.
			MATERIAL
			DATE CH. NO. DRAFTS CHECKER ENG. APP.
			SCALE
			UNLESS OTHERWISE SPECIFIED DIMENSIONS ARE IN INCHES AND INCLUDE CHEMICALLY APPLIED OR PLATED FINISHES
			FRACTIONS ± 1/32 ANGLES ± 1°
			TOLERANCES ± .010
			CODE S401-48
			DECIMALS .XX ± .03 .XXX ± .010