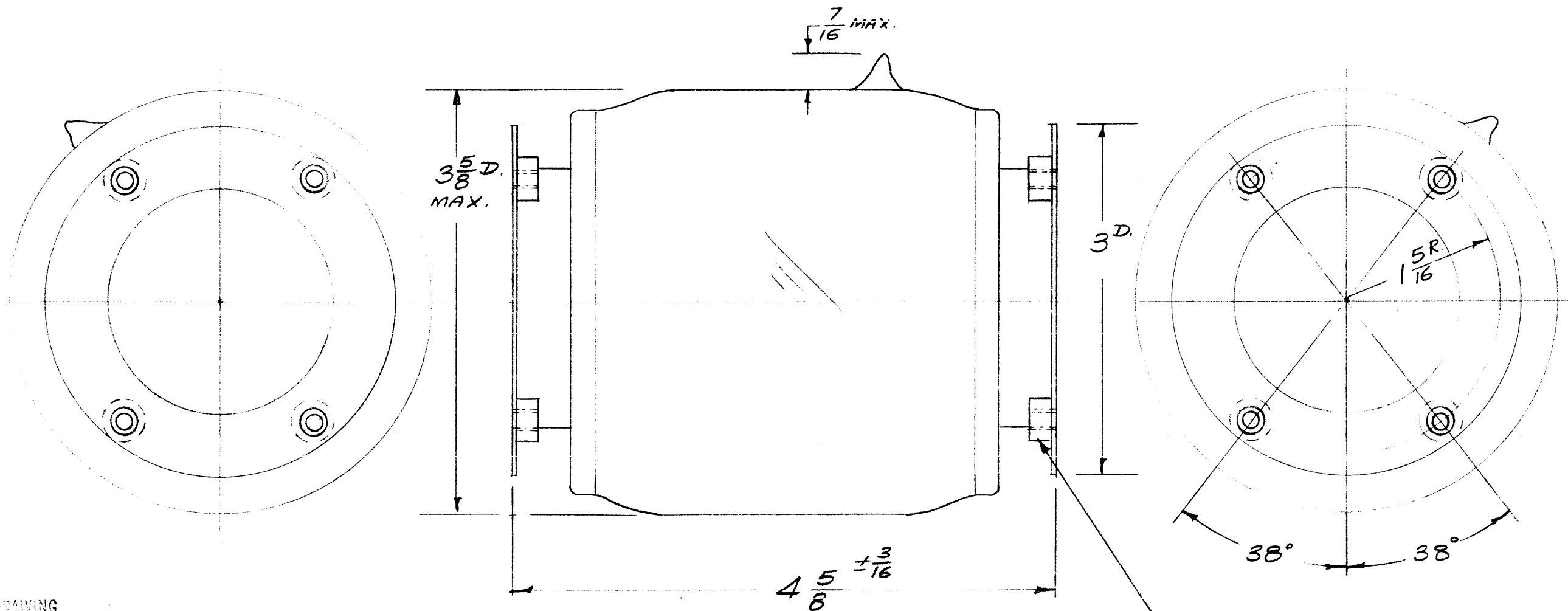


VOLTAGE AVAILABLE	
TMC CODE	VOLTAGE (PEAK)
7.5	7.5 KV
10	10 KV
12	12 KV

CO-103

NOTE - CURRENT RATING  
42 AMPS RMS



Note - End Brackets Welded on.

FOUR 10-32 Brass Slugs  
Silver Soldered.

NOT BE TO PERSONS RECEIVING THIS DRAWING

THE TECHNICAL MATERIEL CORPORATION claims proprietary right in the design disclosed herein. This drawing is loaned in confidence for information only and may not be reproduced or used to manufacture anything shown herein without permission from THE TECHNICAL MATERIEL CORPORATION to the user. This drawing is loaned for mutual assistance and is subject to recall at any time.

Property of:

THE TECHNICAL MATERIEL CORPORATION  
MAMARONECK, NEW YORK

TMC PART NO. TO BE IN FOLLOWING FORM:

CO-103- 1000 - 12

BASIC TMC PART NO.

CAPACITANCE (IN MMFD)  
NOTE: ONLY AVAILABLE IN 1000 MMFD.

VOLTAGE DESIRED (IN KV)  
SEE CHART TMC CODE

Ref-Jennings Type JCS-1000

ISSUE	ITEM	CHANGED FROM	DATE	CH. NO.	DRAFTS	CHECKER	ENG. APP.
CV-106	TOLERANCES						
DEC. DIM. $\pm$			MAXIMUM ALLOWABLE TOLERANCES HAVE BEEN DETERMINED AND ANY DEVIATIONS WILL BE CAUSE FOR REJECTION. REMOVE ALL BURRS AND SHARP EDGES				
FRAC. DIM. $\pm \frac{1}{32}$							
ANGULAR DIM. $\pm 1^\circ$							

REQ. PER UNIT	MODEL	PROJECT NO.	ASS'Y. NO.	DATE

REQ. ITEM	PART NO.	DESCRIPTION	SYMBOL
		THE TECHNICAL MATERIEL CORP. MAMARONECK, NEW YORK	
		CAPACITOR, FIXED, VACUUM 1000 MMFD.	
		16 <sup>21</sup> /59	
		DRAWN	CHECKED
			FINAL APPROVAL
			CO-103