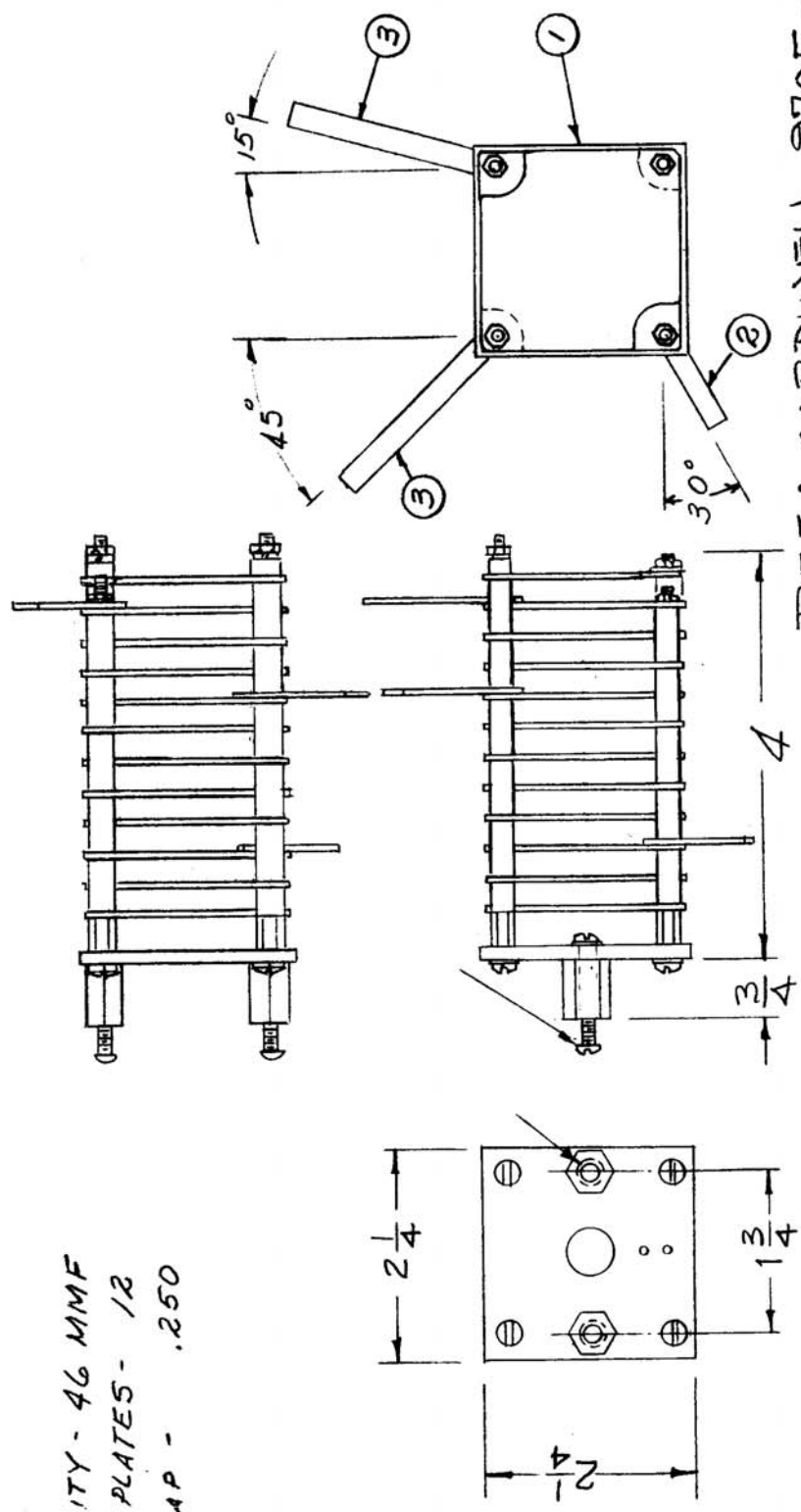


CO-100 A

USED ON
 REQ. PER UNIT
 MODEL
 ASSY. NO.
 DATE
 AT5-TU
 4/5/58

CAPACITY - 46 MMF
 No. OF PLATES - 12
 AIR GAP - .250



REF: CARDWELL 9705-1

REQ. ITEM	PART NO.	DESCRIPTION	SYMBOL
2	3	MS-203-3-2.75 LEAD, CONNECTING, 1/4 WIDE	
1	2	MS-203-3-1.25 LEAD, CONNECTING, 1/4 WIDE	
1	1	As SHOWN CAPACITOR,	

THE TECHNICAL MATERIEL CORP. MAMARONECK, NEW YORK	
CAPACITOR, FIXED, AIR	
STOCK SIZE	
MATERIAL	
TYPE & TEMPER	HEAT TREAT. SPEC.
FINISH & SPEC. NO.	

DATE	CH. NO.	DRAFTS	CHECKER	ENG. APP.
9/6/58	1		ave	J. DeSar
SCALE:				
MAXIMUM ALLOWABLE TOLERANCES HAVE BEEN DETERMINED AND ANY DEVIATIONS WILL BE CAUSE FOR REJECTION. REMOVE ALL BURRS AND SHARP EDGES				
ISSUE ITEM	CHANGED FROM	TOLERANCES		
A 1	REDESIGNED			
DEC. DIM. ±				
FRAC. DIM. ±				
ANGULAR DIM. ±				

DRAWN: H.S.
 CHECKED: J.P.
 FINAL APPROVAL: J.P.
 CO-100 A