

IF IT IS FOUND DESIRABLE TO CHANGE ANY TOLERANCE OR OTHER DETAIL SPECIFIED ON THIS DRAWING NOTIFY THE PURCHASER PROMPTLY.

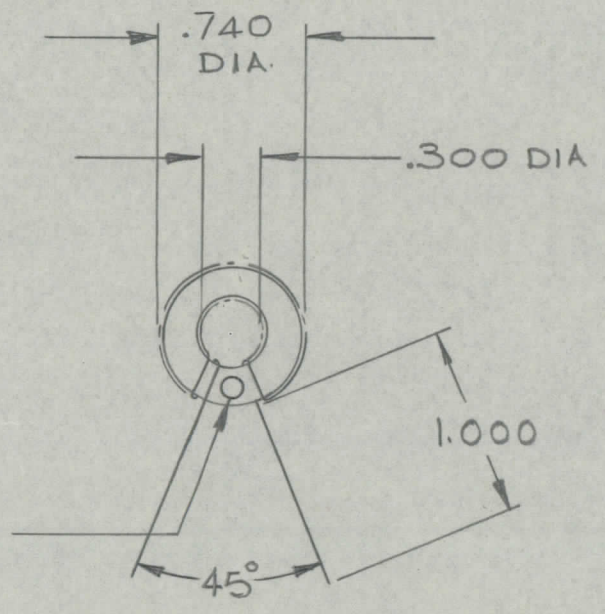
DIMENSIONS IN INCHES UNLESS OTHERWISE SPECIFIED

MAXIMUM ALLOWABLE TOLERANCES HAVE BEEN DETERMINED AND DEVIATIONS WILL BE CAUSE FOR REJECTION. REMOVE ALL BURRS AND SHARP EDGES.

REQ.	ITEM	PART NO.	DESCRIPTION	SYMBOL
------	------	----------	-------------	--------

ISSUE	ITEM	CHANGED FROM	DATE	CN. NO.	DRAFTS	CHECKER	ENG. APP.
Ø		PROD RELEASE	24 AUG 70				NA

CL10042-5
-RCA



IDENTIFICATION DOT
COLOUR GREEN

INDUCTANCE - 29.2 μ H \pm 1%
TYP SELF CAP - 2pF

STOCK SIZE		TMC (Canada) LIMITED OTTAWA ONTARIO		
MATERIAL		COIL R.F.		
WEIGHT PER PC.		SIMPSON		
TYPE & TEMPER		DRAWN	ELEC. DES. APP.	MECH. DES. APP.
HEAT TREAT SPEC.		 CHECKED FINAL APPROVAL		
FINISH & SPEC. NO.		CL 10042-5-RCA Ø		

TOLERANCES UNLESS OTHERWISE SPECIFIED		SCALE: 1:1
ALL OTHERS	DEC. DIM. \pm 015 FRAC. DIM. \pm 64 ANGULAR DIM. \pm 5°	DRILL, PUNCH, COMMERCIAL STOCK SIZES AND MANUFACTURERS TOLERANCES ARE NOT INCLUDED.

MODEL	PROJECT NO.	ASS Y. NO.	DATE
AMC 8	074/70		24 AUG 70