

IF IT IS FOUND DESIRABLE TO CHANGE ANY TOLERANCE OR OTHER DETAIL SPECIFIED ON THIS DRAWING NOTIFY THE PURCHASER PROMPTLY.

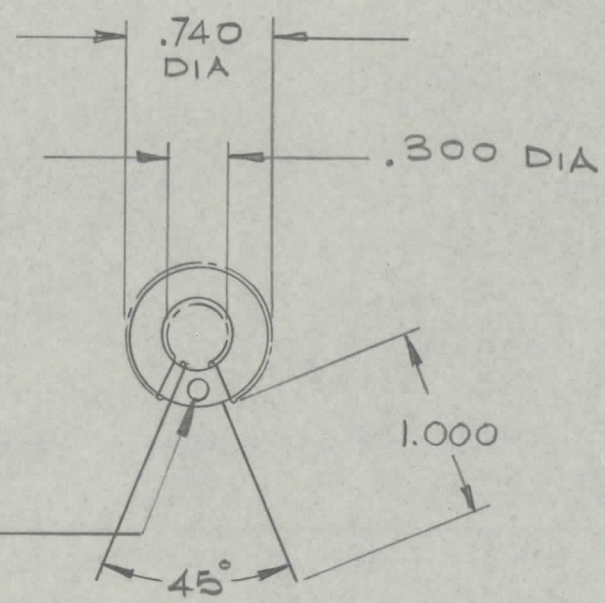
DIMENSIONS IN INCHES UNLESS OTHERWISE SPECIFIED

MAXIMUM ALLOWABLE TOLERANCES HAVE BEEN DETERMINED AND DEVIATIONS WILL BE CAUSE FOR REJECTION. REMOVE ALL BURRS AND SHARP EDGES.

REQ.	ITEM	PART NO.	DESCRIPTION	SYMBOL
------	------	----------	-------------	--------

ISSUE	ITEM	CHANGED FROM	DATE	CN. NO.	DRAFTS	CHECKER	ENG. APP.
Ø		PROD RELEASE	23 AUG 70				NH

CL10042-2  
-RCA



IDENTIFICATION DOT  
COLOUR RED

INDUCTANCE - 5.61 µH  
TYP SELF CAP - 1 pF

STOCK SIZE		TMC (Canada) LIMITED OTTAWA ONTARIO		
MATERIAL		COIL RF		
WEIGHT PER PC.		SIMPSON NH		
TYPE & TEMPER		DRAWN	ELEC. DES. APP.	MECH. DES. APP.
HEAT TREAT SPEC.		NH		
FINISH & SPEC. NO.		CHECKED	FINAL APPROVAL	
		CL10042-2-RCA Ø		

TOLERANCES UNLESS OTHERWISE SPECIFIED	SCALE: 1:1
ALL OTHERS DEC. DIM. ± 0.015 FRAC. DIM. ± 1/64 ANGULAR DIM. ± 5°	DRILL, PUNCH, COMMERCIAL STOCK SIZES AND MANUFACTURERS TOLERANCES ARE NOT INCLUDED.

AMC 8	074/70	23 AUG 70
MODEL	PROJECT NO.	DATE

USED ON