

IF IT IS FOUND DESIRABLE TO CHANGE ANY TOLERANCE OR OTHER DETAIL SPECIFIED ON THIS DRAWING NOTIFY THE PURCHASER PROMPTLY.

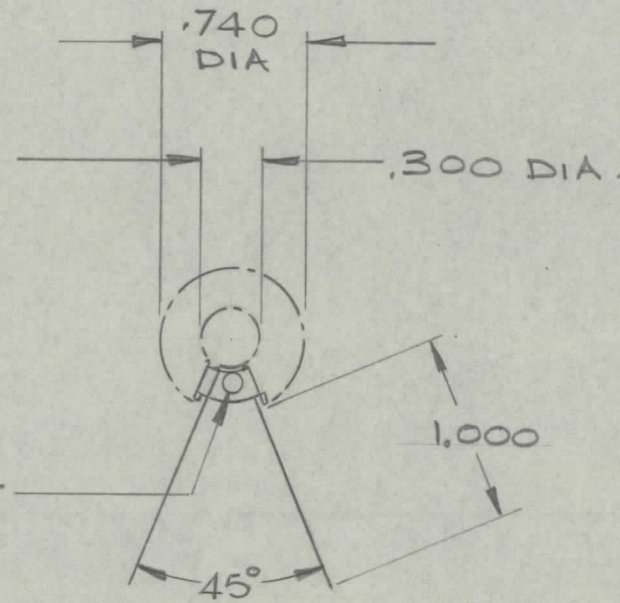
MAXIMUM ALLOWABLE TOLERANCES HAVE BEEN DETERMINED AND DEVIATIONS WILL BE CAUSE FOR REJECTION. REMOVE ALL BURRS AND SHARP EDGES.

DIMENSIONS IN INCHES UNLESS OTHERWISE SPECIFIED

ISSUE	ITEM	CHANGED FROM	DATE	CN. NO.	DRAFTS	CHECKER	ENG. APP.
0		REL TO PRODUCTION	24 AUG 70				

REQ.	ITEM	PART NO.	DESCRIPTION	SYMBOL
------	------	----------	-------------	--------

CL10042-1-RCA



INDUCTANCE - 3.58 μ H \pm 1%
 TYPICAL SELF CAP. - 1 pF

IDENTIFICATION DOT
 COLOUR BROWN

TMC (Canada) LIMITED
 OTTAWA ONTARIO

COIL R.F.

STOCK SIZE		DRAWN		
MATERIAL		WEIGHT PER PC.		
TYPE & TEMPER		DRAWN		
HEAT TREAT SPEC.		ELEC. DES. APP.		
FINISH & SPEC. NO.		MECH. DES. APP.		
		CHECKED		
		FINAL APPROVAL		

TOLERANCES UNLESS OTHERWISE SPECIFIED

SCALE: 1:1

ALL OTHERS	DEC. DIM. \pm .015	.X = .05
	F $\frac{1}{4}$ AC. DIM. \pm $\frac{1}{64}$.XX = .01
	ANGULAR DIM. \pm 0°30'	.XXX = .005

DRILL, PUNCH, COMMERCIAL STOCK
 SIZES AND MANUFACTURERS
 TOLERANCES ARE NOT INCLUDED.

AMC 8

074/69

24 AUG 70

MODEL	PROJECT NO.	ASS Y. NO.	DATE
AMC 8	074/69		24 AUG 70

USED ON

CL10042-1-RCA 0