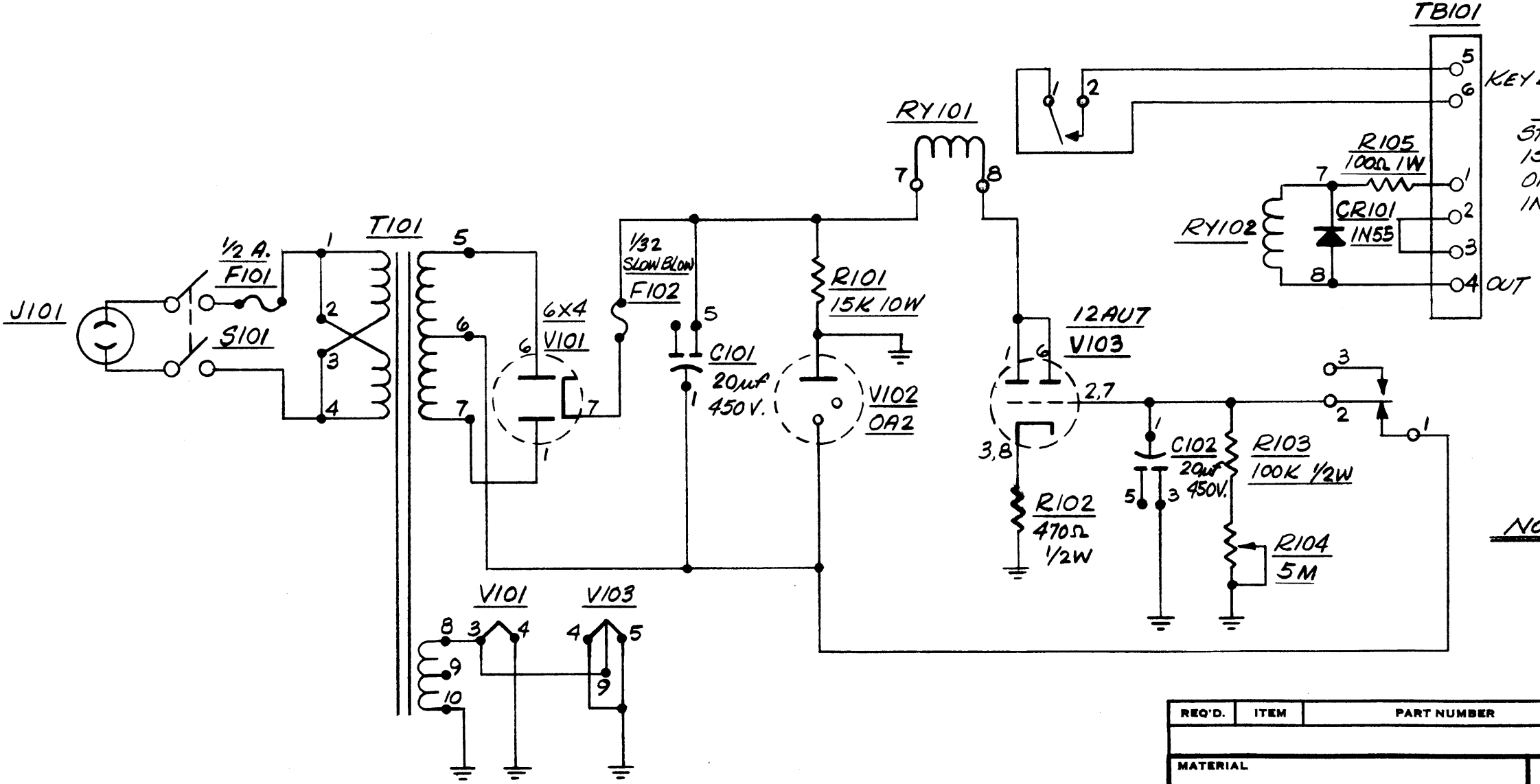
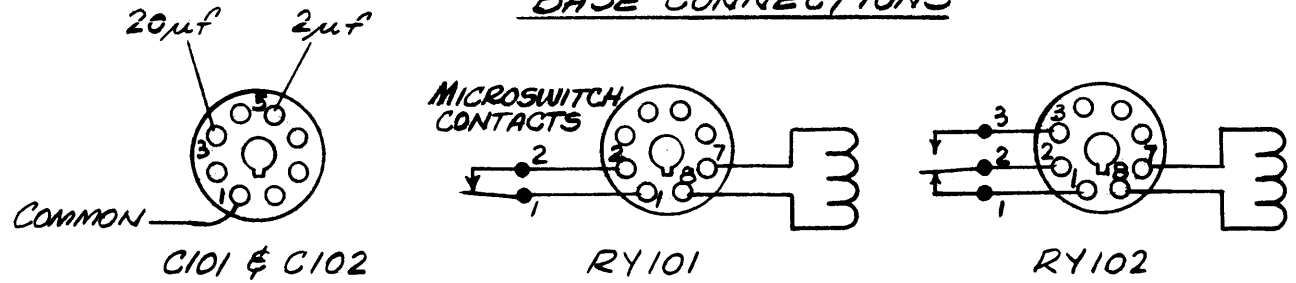


REVISIONS					
SYM	DESCRIPTION	DATE	E.M.N. NO.	DRAFT	CHKD APPD
9	ORIG. RELEASE FOR PROD.	3/21/69		RG	

CK 991

BASE CONNECTIONS



KEY LINE
 INPUT
 STATIC CONDITION
 IS 60 MA DC.
 OPERATING CONDITION IS
 INTERRUPTED CONDITION.

LAST SYMBOLS
C102
CR101
F102
J101
R105
RY102
S101
T101
TB101
V103

NOTE:
 1.- RY101 CONTACTS SHOWN IN DE-ENERGIZED POSITION; RY102 CONTACTS SHOWN IN DE-ENERGIZED POSITION (RECEIVING SIGNAL)
 2.- TERMINAL NO. 4 OF TB101 MUST BE POSITIVE WITH RESPECT TO TERMINAL NO. 1.

REQ'D.	ITEM	PART NUMBER	DESCRIPTION	SYMBOL
LIST OF MATERIAL				
MATERIAL			THE TECHNICAL MATERIEL CORP. MAMARONECK, NEW YORK	
FINISH			TITLE DIAGRAM, SCHEMATIC SIGNAL CONTROL UNIT SCU-3	
UNLESS OTHERWISE SPECIFIED DIMENSIONS ARE IN INCHES AND INCLUDE CHEMICALLY APPLIED OR PLATED FINISHES		DRAWN H. AUSTIN	DATE 5-24-65	FINAL APPROVAL [Signature]
DECIMALS .X ± .05 .XX ± .01 .XXX ± .005		TOLERANCES	DATE 5/24/65	DATE 3/22/69
FRACTIONS ± 1/64 ANGLES ± 0° 30'		ELECT. DES.	DATE	REV. LTR. Ø
		MECH. DES.	DATE	SHEET

SPECIAL TTR-10		
Q'TY./UNIT	MODEL USED ON	ASS'Y. NO.
SCALE	CODE	
THE CONTENTS OF THIS DRAWING ARE THE EXCLUSIVE PROPERTY OF THE TECHNICAL MATERIEL CORP. ITS UNAUTHORIZED USE OR REPRODUCTION IN WHOLE OR IN PART IS STRICTLY FORBIDDEN.		

NOTES