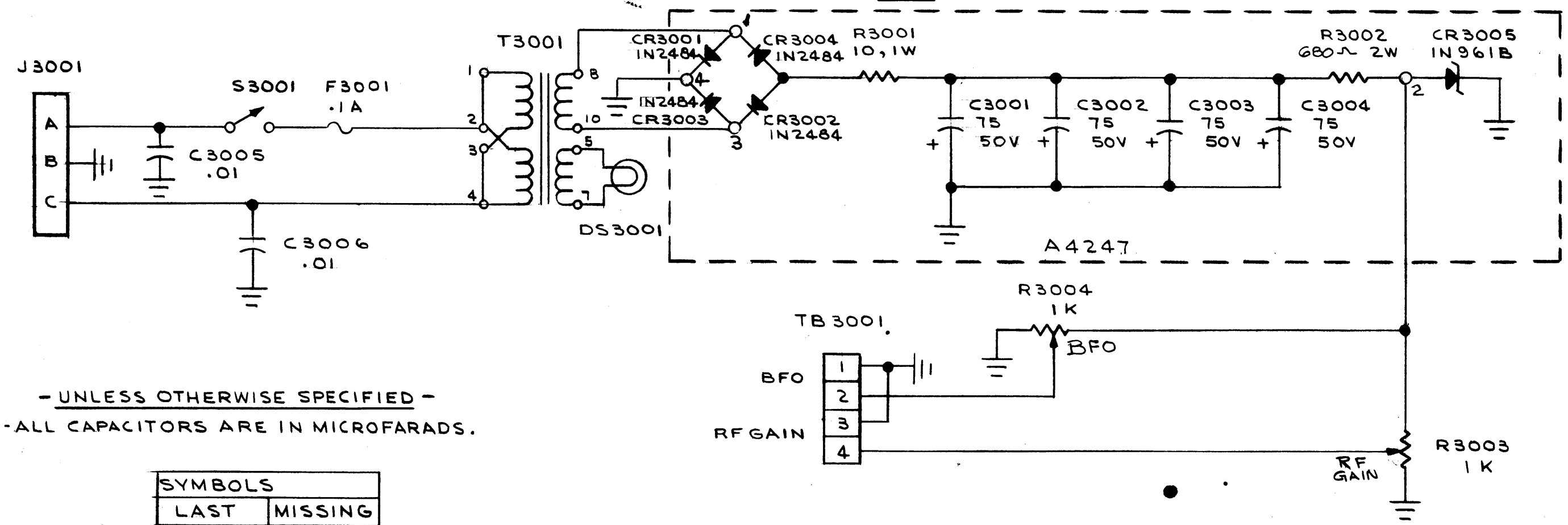


CK 971 B

REVISIONS					
SYM	DESCRIPTION	DATE	E.M.N. NO.	DRAFT	APPD
Ø	ORIGINAL RELEASE FOR PRODUCTION	5/19/65			
A	R3002, 3, 4, FR WAS 2.2K, 50K, 50K	6/10/65	14164		J. L. LESHINSKI
B	TERM. NOS 1, 2, 3, 4 WERE 4, 3, 2, 1	10/20/65	15026		CK 971 B



- UNLESS OTHERWISE SPECIFIED -
1- ALL CAPACITORS ARE IN MICROFARADS.

SYMBOLS	
LAST	MISSING
J3001	
S3001	
F3001	
R3004	
C3006	
CR3005	
T3001	
TB3001	
DS3001	

NOTES

RGCA-1	
Q'TY./UNIT	MODEL USED ON
SCALE 1/1	CODE A
ASS'Y. NO.	
THE CONTENTS OF THIS DRAWING ARE THE EXCLUSIVE PROPERTY OF THE TECHNICAL MATERIEL CORP. ITS UNAUTHORIZED USE OR REPRODUCTION IN WHOLE OR IN PART IS STRICTLY FORBIDDEN.	

REQ'D.	ITEM	PART NUMBER	DESCRIPTION	SYMBOL
POSE LIST OF MATERIAL				
MATERIAL		THE TECHNICAL MATERIEL CORP. MAMARONECK, NEW YORK		
FINISH		TITLE DIAGRAM, SCHEMATIC (REMOTE GAIN CONTROL)		
UNLESS OTHERWISE SPECIFIED DIMENSIONS ARE IN INCHES AND INCLUDE CHEMICALLY APPLIED OR PLATED FINISHES		DRAWN J. LESHINSKI CHECKED [Signature] ELECT. DES. [Signature] MECH. DES. [Signature]	DATE 5/14/65 DATE 5/18/65 DATE 5-19-65	FINAL APPROVAL [Signature] DATE 5/19/65 CK 971 B
DECIMALS .X ± .05 .XX ± .01 .XXX ± .005	TOLERANCES	FRACTIONS ± 1/64 ANGLES ± 0° 30'	SHEET	REV. LTR.