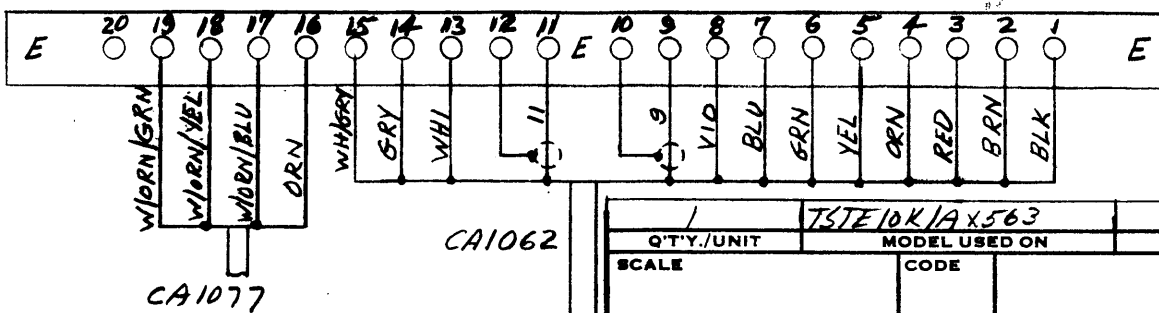
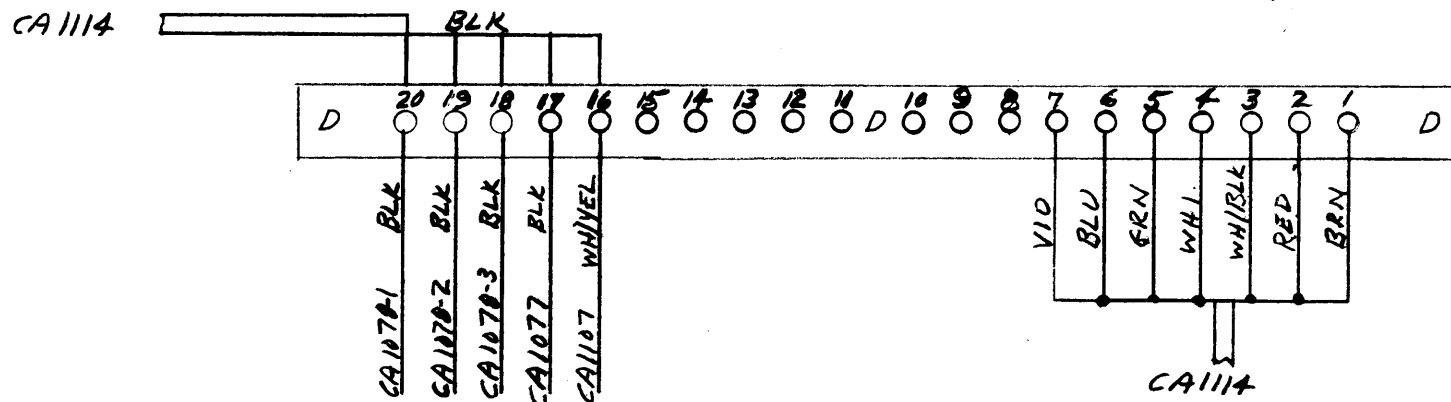
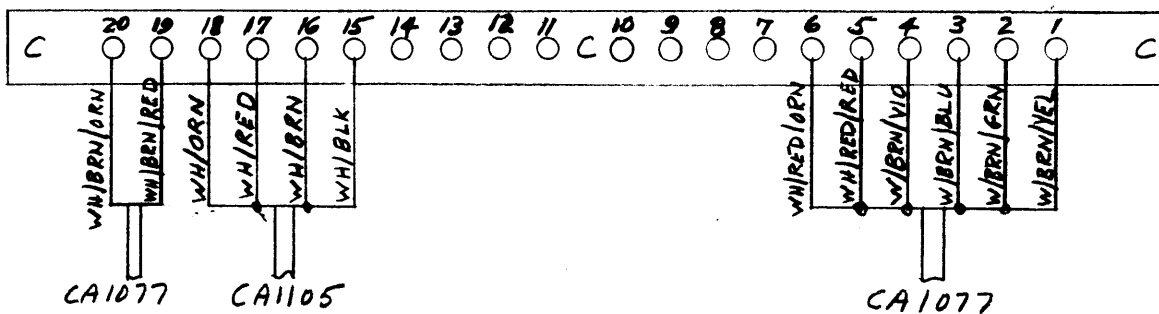
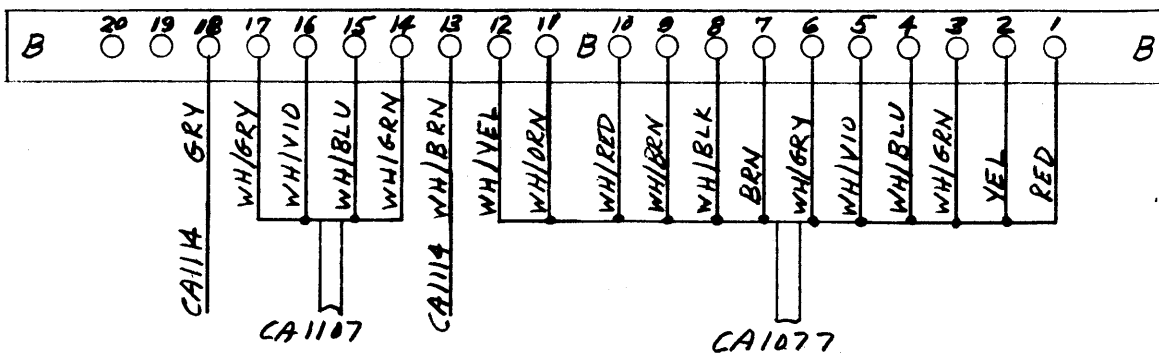
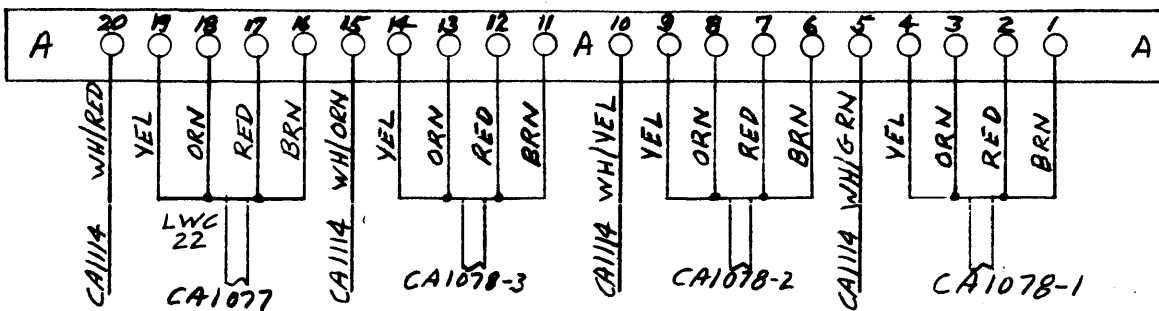


TB4004  
(TYP)



NOTES

THE CONTENTS OF THIS DRAWING ARE THE EXCLUSIVE PROPERTY OF THE TECHNICAL MATERIEL CORP. ITS UNAUTHORIZED USE OR REPRODUCTION IN WHOLE OR IN PART IS STRICTLY FORBIDDEN.

CK 944

REVISIONS

| SYM | DESCRIPTION                                | DATE    | E.M.N. NO. | DRAFT | CHKD | APPD |
|-----|--------------------------------------------|---------|------------|-------|------|------|
| X1  | E-18 WAS WHI/ORN/GRN, E-19 WAS WHI/ORN/YEL | 7/20/65 |            | BM    |      |      |
| Ø   | ORIGINAL RELEASE FOR PRODUCTION            | 9/17/66 |            | C.V   |      | JH   |

| REQ'D.                                                                                                      | ITEM | PART NUMBER                                                 | DESCRIPTION     | SYMBOL                        |
|-------------------------------------------------------------------------------------------------------------|------|-------------------------------------------------------------|-----------------|-------------------------------|
| <b>LIST OF MATERIAL</b>                                                                                     |      |                                                             |                 |                               |
| MATERIAL                                                                                                    |      | <b>THE TECHNICAL MATERIEL CORP.</b><br>MAMARONECK, NEW YORK |                 |                               |
| FINISH                                                                                                      |      | TITLE<br>WIRING DIAGRAM<br>DC INPUT TB4004                  |                 |                               |
| UNLESS OTHERWISE SPECIFIED<br>DIMENSIONS ARE IN INCHES AND INCLUDE<br>CHEMICALLY APPLIED OR PLATED FINISHES |      | DRAWN<br>BM                                                 | DATE<br>7/20/65 | FINAL APPROVAL<br>[Signature] |
| DECIMALS<br>.X ± .05<br>.XX ± .01<br>.XXX ± .005                                                            |      | CHECKED<br>BM                                               | DATE<br>7/22/65 | DATE<br>5/17/66               |
| TOLERANCES                                                                                                  |      | ELECT. DES.<br>[Signature]                                  | DATE<br>5-13-66 | CK 944                        |
| FRACTIONS<br>± 1/64<br>ANGLES<br>± 0° 30'                                                                   |      | MECH. DES.                                                  | DATE            | Ø                             |
|                                                                                                             |      | UL [Signature]                                              | DATE<br>5/16/66 | SHEET                         |