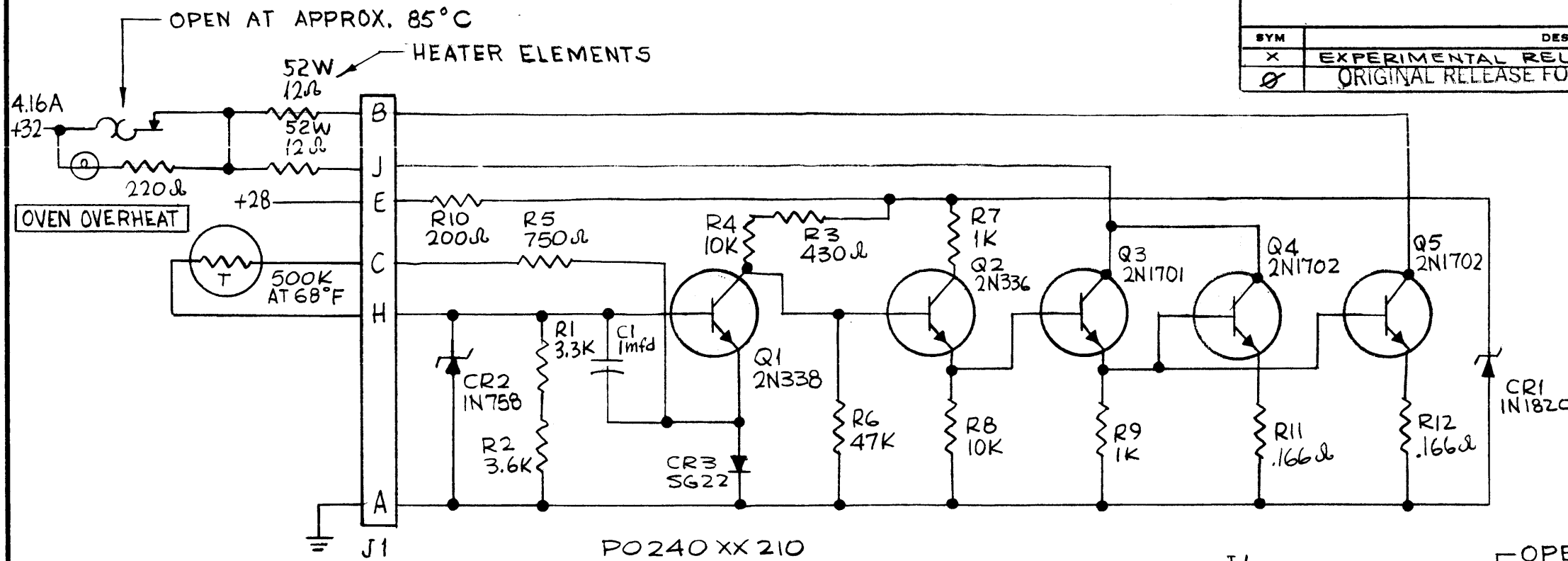
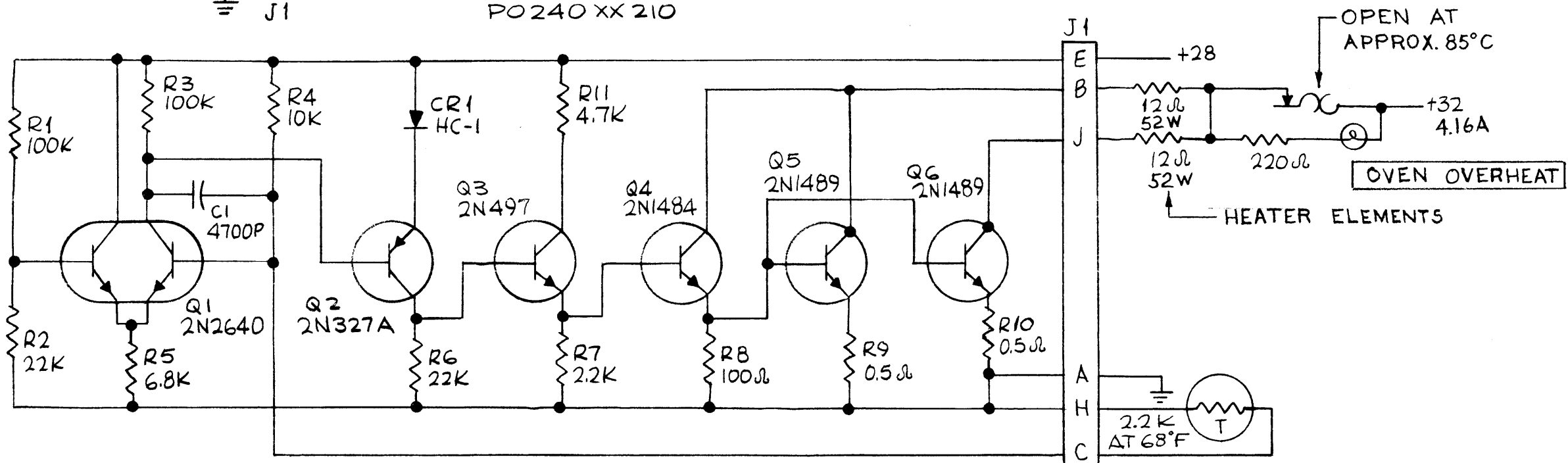


REVISIONS

SYM	DESCRIPTION	DATE	E.M.N. NO.	DRAFT	CHKD	APFD
X	EXPERIMENTAL RELEASE	9-21-64	X	SRG		
Ø	ORIGINAL RELEASE FOR PRODUCTION	9-24-64	Ø	SRG		



P0240 XX 210



P0240 XX 129

REQ'D.	ITEM	PART NUMBER	DESCRIPTION	SYMBOL
ANGER/DEWEY LIST OF MATERIAL				
MATERIAL			THE TECHNICAL MATERIEL CORP. MAMARONECK, NEW YORK	
FINISH			TITLE SCHEMATIC, OVEN CONTROL, P0240	
UNLESS OTHERWISE SPECIFIED DIMENSIONS ARE IN INCHES AND INCLUDE CHEMICALLY APPLIED OR PLATED FINISHES		DRAWN SRG	DATE 9-21-64	FINAL APPROVAL <i>[Signature]</i>
DECIMALS .X ± .05 .XX ± .01 .XXX ± .005		CHECKED Ø	DATE 9-24-64	DATE 2/20/67
TOLERANCES		ELECT. DES.	DATE	Ø
FRACTIONS ± 1/64 ANGLES ± 0° 30'		MECH. DES.	DATE	Ø
SHEET				REV. LTR.

HFR-1	
Q'TY./UNIT	MODEL USED ON
SCALE	ASS'Y. NO.

THE CONTENTS OF THIS DRAWING ARE THE EXCLUSIVE PROPERTY OF THE TECHNICAL MATERIEL CORP. ITS UNAUTHORIZED USE OR REPRODUCTION IN WHOLE OR IN PART IS STRICTLY FORBIDDEN.

NOTES

MIL P.B.