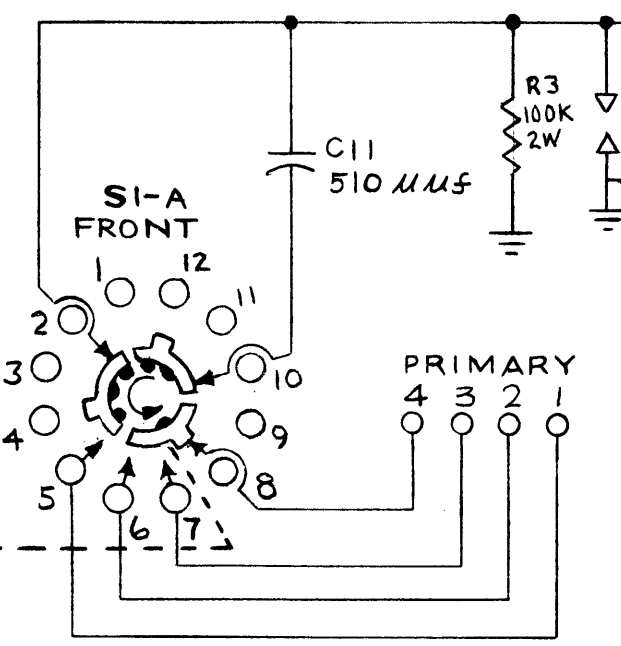
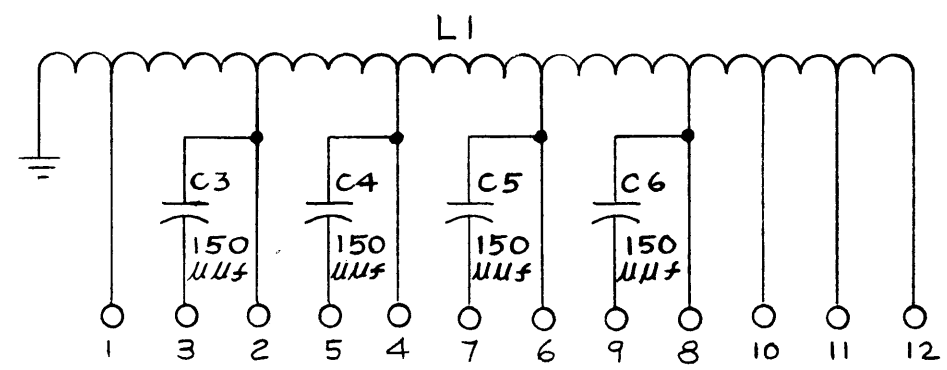
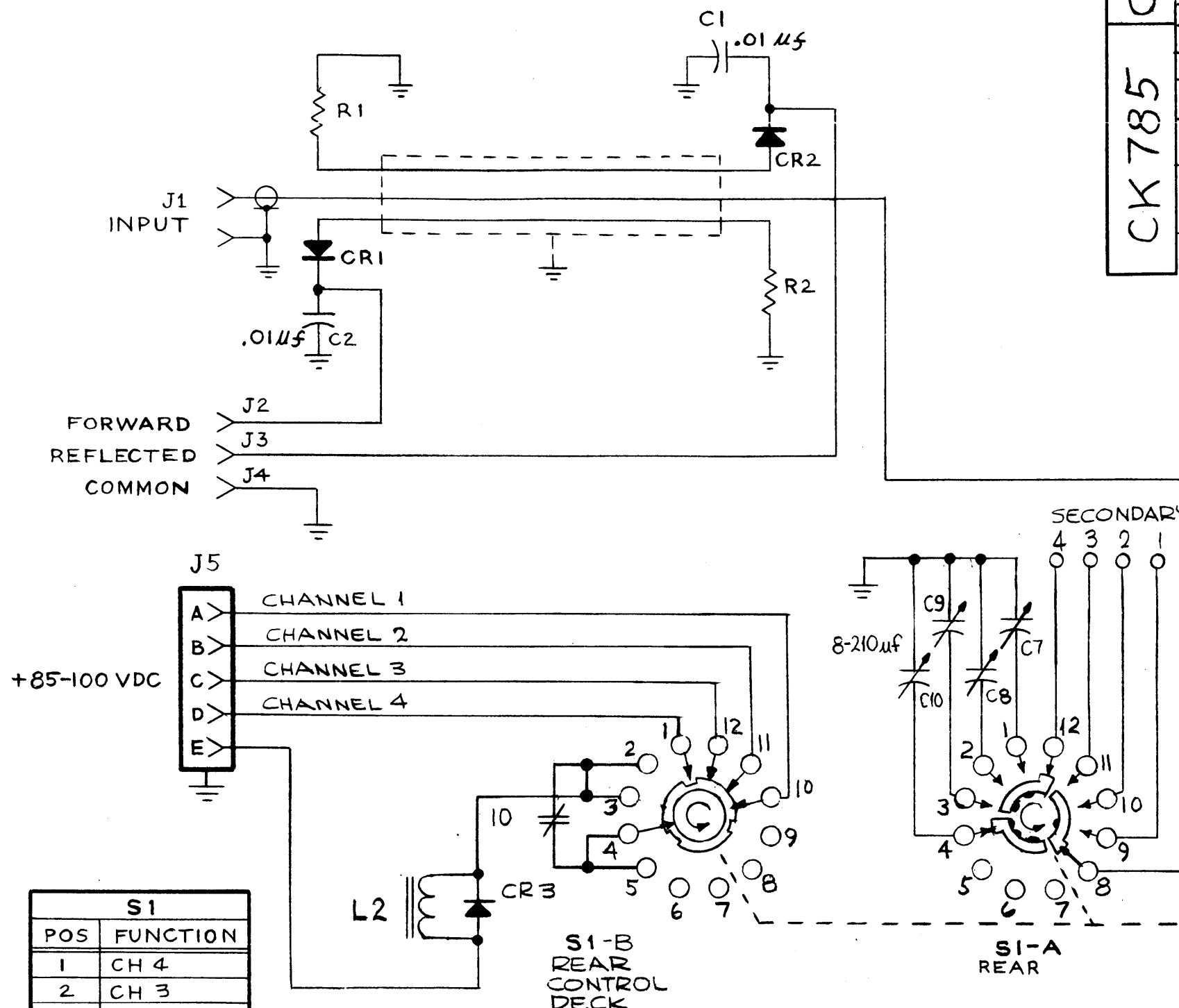


REVISIONS

| SYM | DESCRIPTION | DATE | E.M.N. NO. | DRAFT | CHKD | APPD |
|-----|---|----------|------------|-------|--------------------|------|
| X | EXPERIMENTAL RELEASE | 9-14-64 | | NP | | |
| Ø | ORIGINAL RELEASE FOR PRODUCTION | 9-24-64 | Ø | Ø | | |
| A | ON S1-B WIRING REVISED, REORIENTED S1-A REAR CONT. C9 WAS C8, C8 WAS C9, TITLE S1- WAS SW 1- (4PL) | 12-21-64 | 13023 | hwb | <i>[Signature]</i> | |
| B | ON WAFERS; POSITIONS 1 THRU 12 WERE CLOCKWISE; NOTES 2 & 3 ADDED. | 2-17-65 | 13539 | Ø | <i>[Signature]</i> | |
| C | JACK SYM ADD. TO E1; R3 ADD. FR. E1 TO GND; ON S1-A (REAR & FRONT); DOTS RELOC; ON CR3; GND. DELE., WIRE ADD. TO J5 PIN E; ON J5; GND RELOC; UNLESS OTHERWISE SPECIFIED" ADDED TO NOTES; E1 WAS J6; L2 WAS S21. | 3-22-65 | 13736 | Ø | <i>[Signature]</i> | |

CK 785



- NOTES:
- UNLESS OTHERWISE SPECIFIED, ALL RESISTORS ARE 1/2 WATT.
 - DOT ON ROTOR INDICATES FRONT AND REAR ROTORS ELECTRICALLY CONNECTED.
 - ALL SWITCH DECKS VIEWED FROM SHAFT END AND COUNTED IN DIRECTION OF ROTATION.

| S1 | |
|-----|----------|
| POS | FUNCTION |
| 1 | CH 4 |
| 2 | CH 3 |
| 3 | CH 2 |
| 4 | CH 1 |

| REQ'D. | ITEM | PART NUMBER | DESCRIPTION | SYMBOL |
|---|------|-------------|---|--|
| A, DUDDLES LIST OF MATERIAL | | | | |
| MATERIAL | | | THE TECHNICAL MATERIEL CORP. | |
| | | | MAMARONECK, NEW YORK | |
| FINISH | | | TITLE | |
| | | | DIAGRAM, SCHEMATIC | |
| UNLESS OTHERWISE SPECIFIED DIMENSIONS ARE IN INCHES AND INCLUDE CHEMICALLY APPLIED OR PLATED FINISHES | | | DRAWN <i>N. Peters</i> DATE 9-14-64 CHECKED <i>@</i> DATE 9-23-64 ELECT. DES. <i>A. Duddles</i> DATE 9-23-64 MECH. DES. DATE | FINAL APPROVAL <i>[Signature]</i> DATE CK 785 SHEET |
| DECIMALS .X ± .05 .XX ± .01 .XXX ± .05 | | | TOLERANCES | FRACTIONS ± 1/64 ANGLES ± 0° 30' |
| THE CONTENTS OF THIS DRAWING ARE THE EXCLUSIVE PROPERTY OF THE TECHNICAL MATERIEL CORP. ITS UNAUTHORIZED USE OR REPRODUCTION IN WHOLE OR IN PART IS STRICTLY FORBIDDEN. | | | REV. LTR. | C |

| | |
|------------|---------------|
| TTC-1 | |
| Q'TY./UNIT | MODEL USED ON |
| SCALE | CODE |
| | A |

NOTES