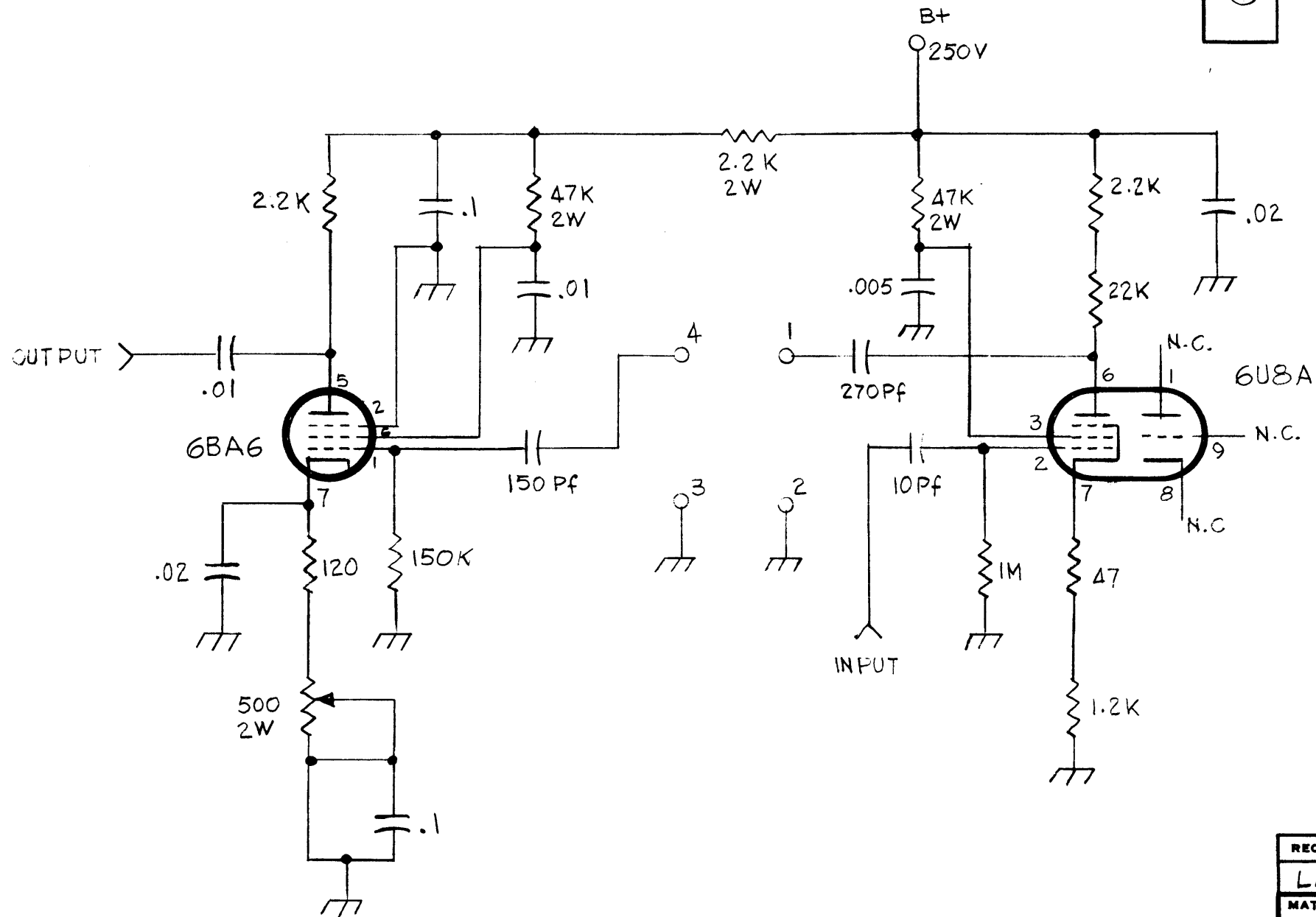


CK 763

REVISIONS

SYM	DESCRIPTION	DATE	E.M.N. NO.	DRAFT	CHKD	APPD
X	EXP. RELEASE	7-2-64	1	G.D.L.	@	PEX
Ø	ORIGINAL RELEASE FOR PRODUCTION	7-7-64	2			



REQ'D.	ITEM	PART NUMBER	DESCRIPTION	SYMBOL
LAWNSBY LIST OF MATERIAL				
MATERIAL		THE TECHNICAL MATERIEL CORP. MAMARONECK, NEW YORK		
FINISH		TITLE TEST JIG FOR FX-167		
UNLESS OTHERWISE SPECIFIED DIMENSIONS ARE IN INCHES AND INCLUDE CHEMICALLY APPLIED OR PLATED FINISHES		DRAWN G.D.L.	DATE 7-2-64	FINAL APPROVAL <i>[Signature]</i>
		CHECKED @	DATE 7-7-64	
		ELECT. DES. <i>[Signature]</i> 7-7-64	DATE	CK 763
		MECH. DES.	DATE	Ø
		SHEET		REV. LTR.

1	GPR-92	
Q'TY./UNIT	MODEL USED ON	ASS'Y. NO.
SCALE	CODE	
	A	

NOTES

THE CONTENTS OF THIS DRAWING ARE THE EXCLUSIVE PROPERTY OF THE TECHNICAL MATERIEL CORP. ITS UNAUTHORIZED USE OR REPRODUCTION IN WHOLE OR IN PART IS STRICTLY FORBIDDEN.

DECIMALS	FRACTIONS
.X ± .05	± 1/64
.XX ± .01	ANGLES
.XXX ± .005	± 0° 30'