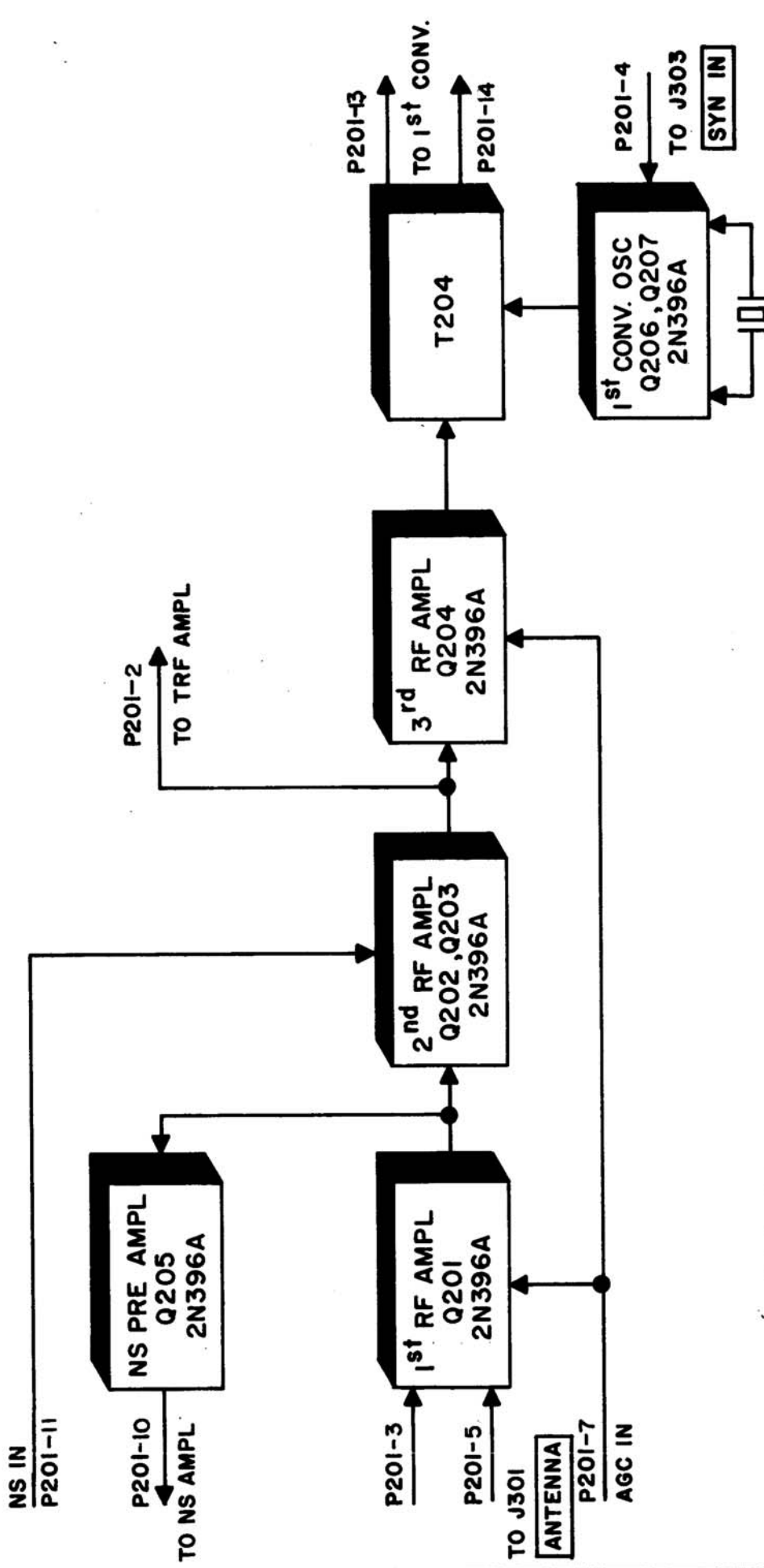


THE CONTENTS OF THIS DRAWING ARE THE EXCLUSIVE PROPERTY OF THE TECHNICAL MATERIEL CORP. ITS UNAUTHORIZED USE FOR REPRODUCTION IN WHOLE OR IN PART IS STRICTLY FORBIDDEN.		USED ON		DATE	
REQ. PER UNIT	MODEL	ASS'Y. NO.	DATE		
1	VLRA-1	AX-432	6-20-63		
		CK 673		Ø	



REF: CK-676

REQ. ITEM	PART NO.	M. GELLMAN	DESCRIPTION	SYMBOL
Ø			THE TECHNICAL MATERIEL CORP. MAMARONECK, NEW YORK	
X1			DIAGRAM, BLOCK (RF MODULE)	
SYN				
ORIGINAL RELEASE FOR PRODUCTION		5-11-64	O	A.M.
P201 DASH NUMBERS		3-11-64	X1	98
ALL UPDATED TO CK-676				ADD
UNLESS OTHERWISE SPECIFIED DIMENSIONS ARE IN INCHES AND INCLUDE CHEMICALLY APPLIED OR PLATED FINISHES		SCALE		
TOLERANCES		FRACTIONS		CODE
.X ± .05		± 1/64		A
.XX ± .01		ANGLES		
.XXX ± .005		± 0° 30'		
TYPE & TEMPER		HEAT TREAT. SPEC.		
FINISH & SPEC. NO.				
DRAWN		CHECKED		
G. Suman		@		
ELEC. DES. APP.		MECH. DES. APP.		
MUS		MUS		
FINAL APPROVAL		CK 673		Ø