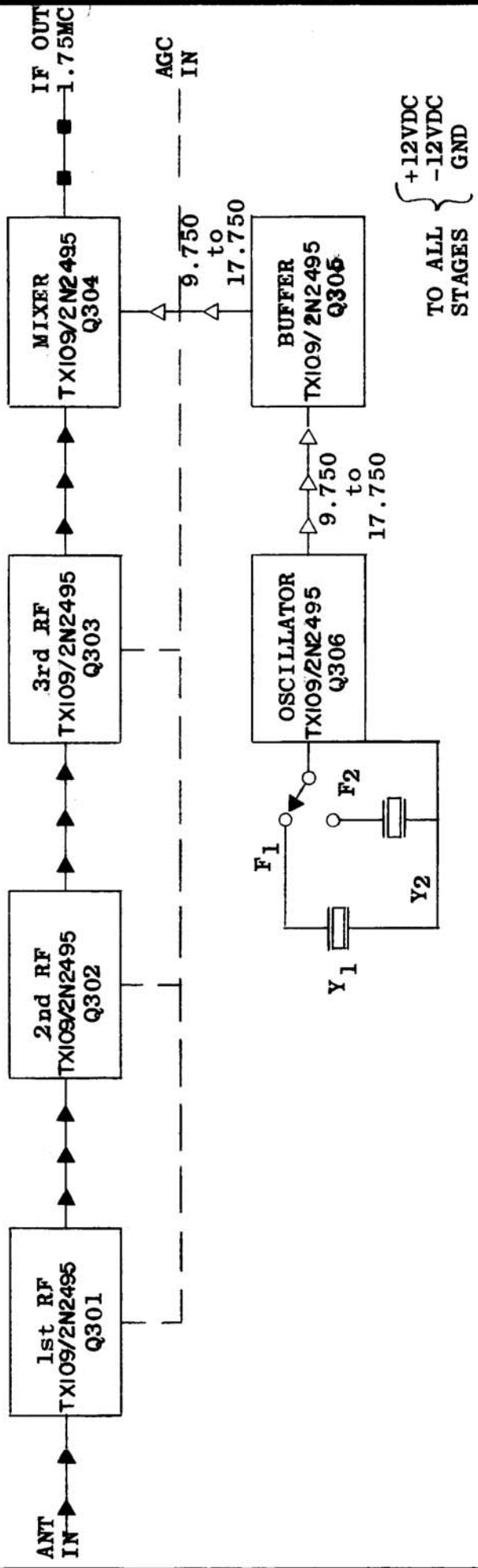


REQ. PER UNIT	MODEL	USED ON
	TTRR-3	ASS'Y. NO.
		DATE
		10-30-63

CK-667 B



- ▶— R. F. FREQUENCY = 8-16 MC
- ▷— INJECTION FREQUENCY = 9.750 - 17.750 MC
- — — AGC CONTROL VOLTAGE
- INTERMEDIATE FREQUENCY = 1.75 MC

+12VDC
-12VDC
GND
TO ALL STAGES

REQ. ITEM	PART NO.	DESCRIPTION	SYMBOL
		THE TECHNICAL MATERIEL CORP. MAMARONECK, NEW YORK	
		BLOCK DIAGRAM, RCVR CONVERTER	
		TTRR-3 8-16	
		10-30-63	11/8/63
		W.A. PALMER	KOHN
		4/18/63	
		ELEC. DES. APP.	MECH. DES. APP.
		FINISH & SPEC. NO.	CK-667 B
		TYPE & TEMPER	HEAT TREAT. SPEC.
		MATERIAL	FINAL APPROVAL
		SCALE	
		DATE	CH. NO.
		11/2/63	15082
		10/8/63	14937
		DESCRIPTION	CHECKER
		ALL 2N2495 WERE 2N2495	QJB
		ALL 2N2496 WERE 2N2494 OR 2N2495	W.V. 808
		UNLESS OTHERWISE SPECIFIED	
		DIMENSIONS ARE IN INCHES AND INCLUDE	
		CHEMICALLY APPLIED OR PLATED FINISHES	
		TOLERANCES	CODE
		FRACTIONS	A
		± 1/64	
		ANGLES	
		± 0° 30'	
		DECIMALS	
		X ± .05	
		XX ± .01	
		.XXX ± .005	