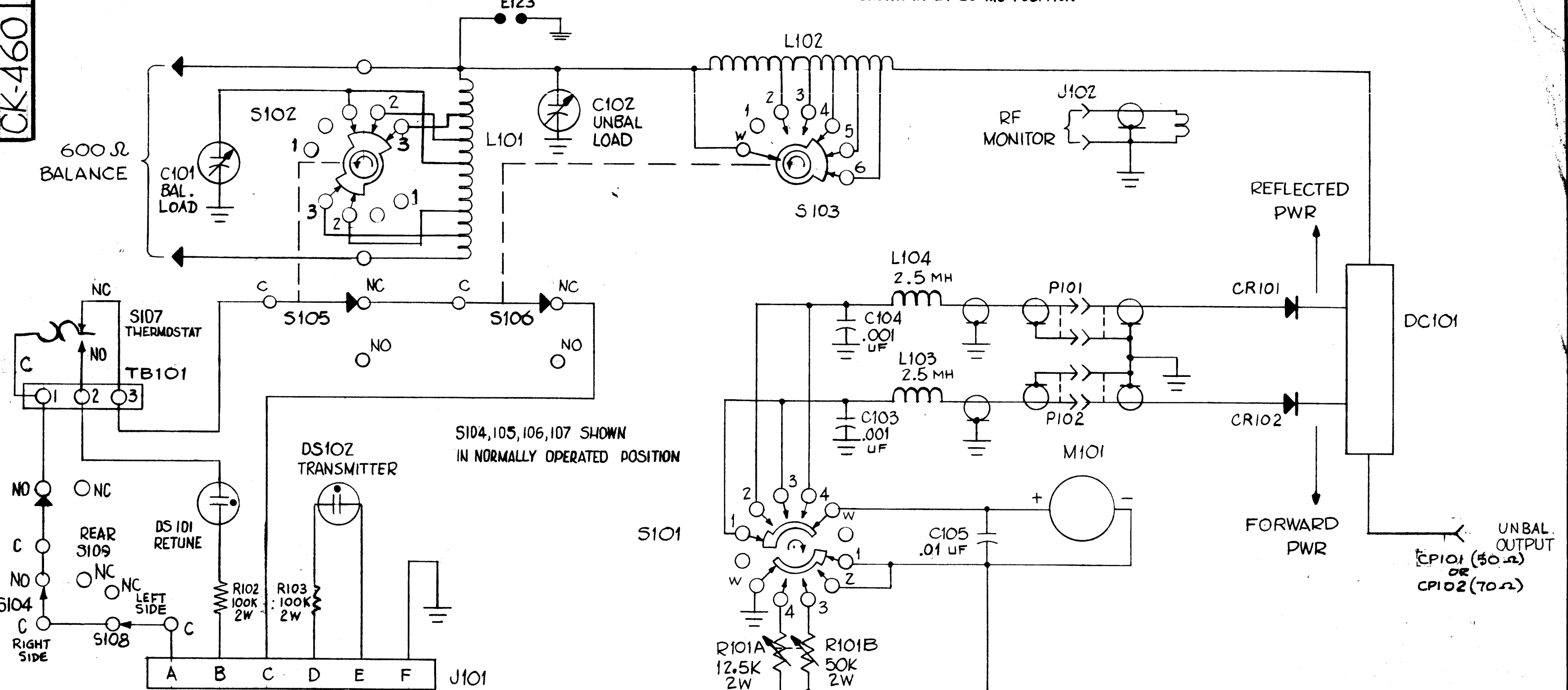


CK-460 E

S102 SHOWN IN 20-30 MC POSITION

S103 SHOWN IN 24-30 MC POSITION



5	CHGD S103 WIRING						
4	CHGD. J103 TO CP101 OR CP102						2B
3	Added REAR SWITCH	4/21/61	4775	JCM	JCS		
2	Added Left Side Switch						
1	Relocated Right Side SWCH						
C	TB101 & S107 Added	4-18-61	4717	RU	JCS		2B
B	SYMBOLS P101, P102 & CR101 CR102 ADDED	11-8-60	9A2A	MF	JCS		2B
A	R103 ADDED						
	R102 ADDED						
	E123 RELOCATED						
	C101 BAL LOAD WAS C101 BALANCE	10-12-60	3183	MF	JCS		2B

	S101	S102	S103
1	FOWARD POWER	2-12 MC	2-3 MC
2	REFLECTED POW.	12-20 MC	3-6 MC
3	CALIBRATE	20-30 MC	6-10 MC
4	SWR		10-15 MC
5			15-24 MC
6			24-30 MC

E	1	an S103 WIPER added, connected to L102	7-18-61	5264	G.D.L.	M.A.S.	JCM
ISSUE	ITEM	CHANGED FROM	DATE	CH. NO.	DRAFTS	CHECKED	ENG. APP.

REQ. ITEM	PART NO.	DESCRIPTION	SYMBOL
THE TECHNICAL MATERIEL CORP. MAMARONECK, NEW YORK			
SCHEMATIC, DIAGRAM			
ACU (ANTENNA COUPLING UNIT)			
J.C. Biela		Checked	Final Approval
TYPE & TEMPER		HEAT TREAT. SPEC.	
FINISH & SPEC. NO.		ELEC. DES. APP.	MECH. DES. APP.

TOLERANCES: DEC. DIM. ±, FRAC. DIM. ±, ANGULAR DIM. ±

SCALE: MAXIMUM ALLOWABLE TOLERANCES HAVE BEEN DETERMINED AND ANY DEVIATIONS WILL BE CAUSE FOR REJECTION. REMOVE ALL BURRS AND SHARP EDGES

REQ. PER UNIT	ACU	PROJECT NO.	ASS'Y. NO.	DATE
	MODEL			
USED ON				

CK-460 E