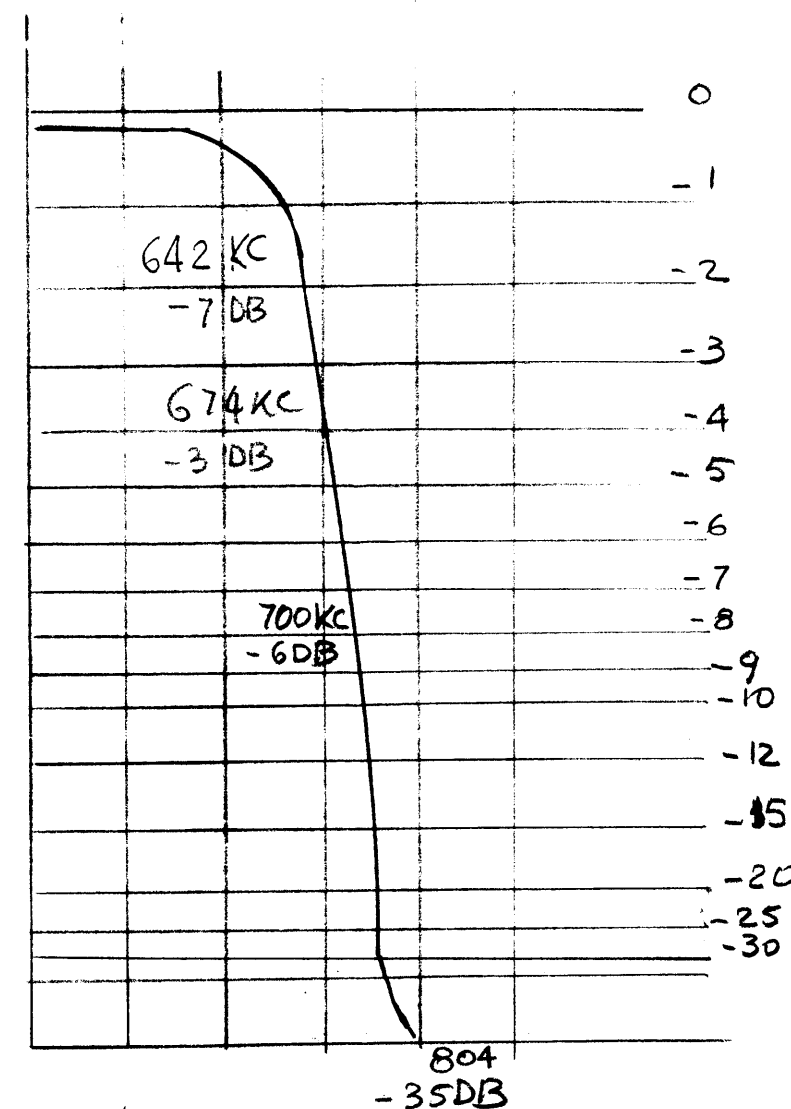
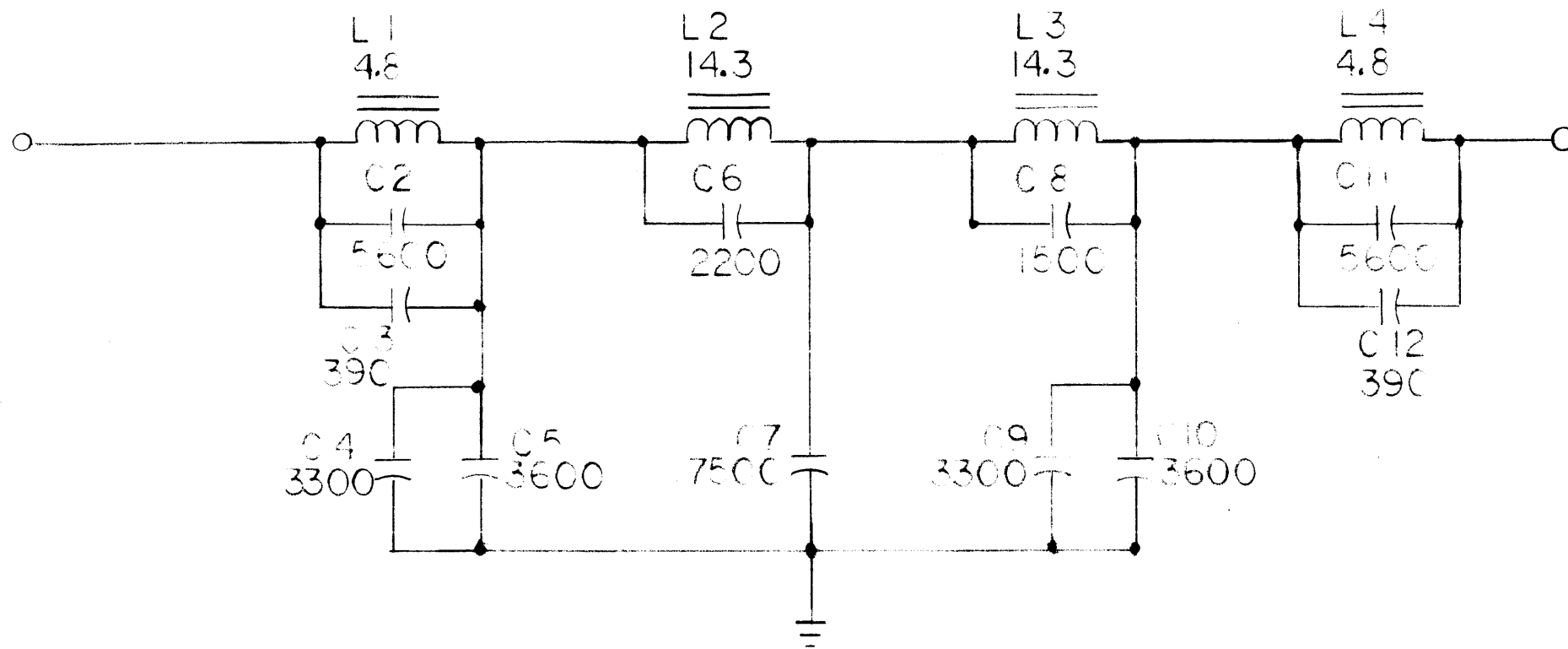


ENGINEERING SKETCH

NOT FOR PRODUCTION

REVISIONS

ZONE	LTR	DESCRIPTION	DATE	E.M.N.NO	DRAFT	CHKD	APPD
------	-----	-------------	------	----------	-------	------	------



MISSING C1                      LAST C12  
L4

UNLESS OTHERWISE SPECIFIED  
ALL CAPACITORS ARE IN PICO FARADS  
ALL INDUCTORS ARE IN MICROHENREYS

AMC-( ) A5832

QTY / UNIT	MODEL USED ON	ASS'Y NO.
APPLICATION		
CODE		

NOTICE TO PERSONS RECEIVING THIS DRAWING  
THE TECHNICAL MATERIEL CORPORATION claims proprietary right in the material disclosed hereon. This drawing is issued in confidence for engineering information only and may not be reproduced or used to manufacture anything shown hereon without permission from THE TECHNICAL MATERIEL CORPORATION to the user. This drawing is loaned for mutual assistance and is subject to recall at any time.

UNLESS OTHERWISE SPECIFIED  
DIMENSIONS ARE IN INCHES  
AND INCLUDE CHEMICALLY APPLIED  
OR PLATED FINISHES

DECIMALS                      FRACTIONS  
.X ± .05                      1/64  
.XX ± .01                      TOLS.                      ANGLES  
.XXX ± .005                      0° -30'

MATERIAL

FINISH

REQ'D	ITEM	PART NUMBER	DESCRIPTION	SYM.
LIST OF MATERIAL				
FINAL APPROVAL: <i>[Signature]</i> DATE: 7/30/84				
MECH. DES. DATE: 7/3/84				
ELECT. DES. <i>[Signature]</i> DATE: 7/3/84				
CHECKED DATE: 7/30/84				
DRAWN: <i>[Signature]</i> DATE: 7/30/84				
THE TECHNICAL MATERIEL CORP. MAMARONECK, NEW YORK				
FX308 LOW PASS 10KHZ TO 650 KHZ				
SIZE	CODE IDENT. NO.	DWG NO.	ISSUE	
B	82679	CK 2288	0	
SCALE			SHEET 1 OF 1	