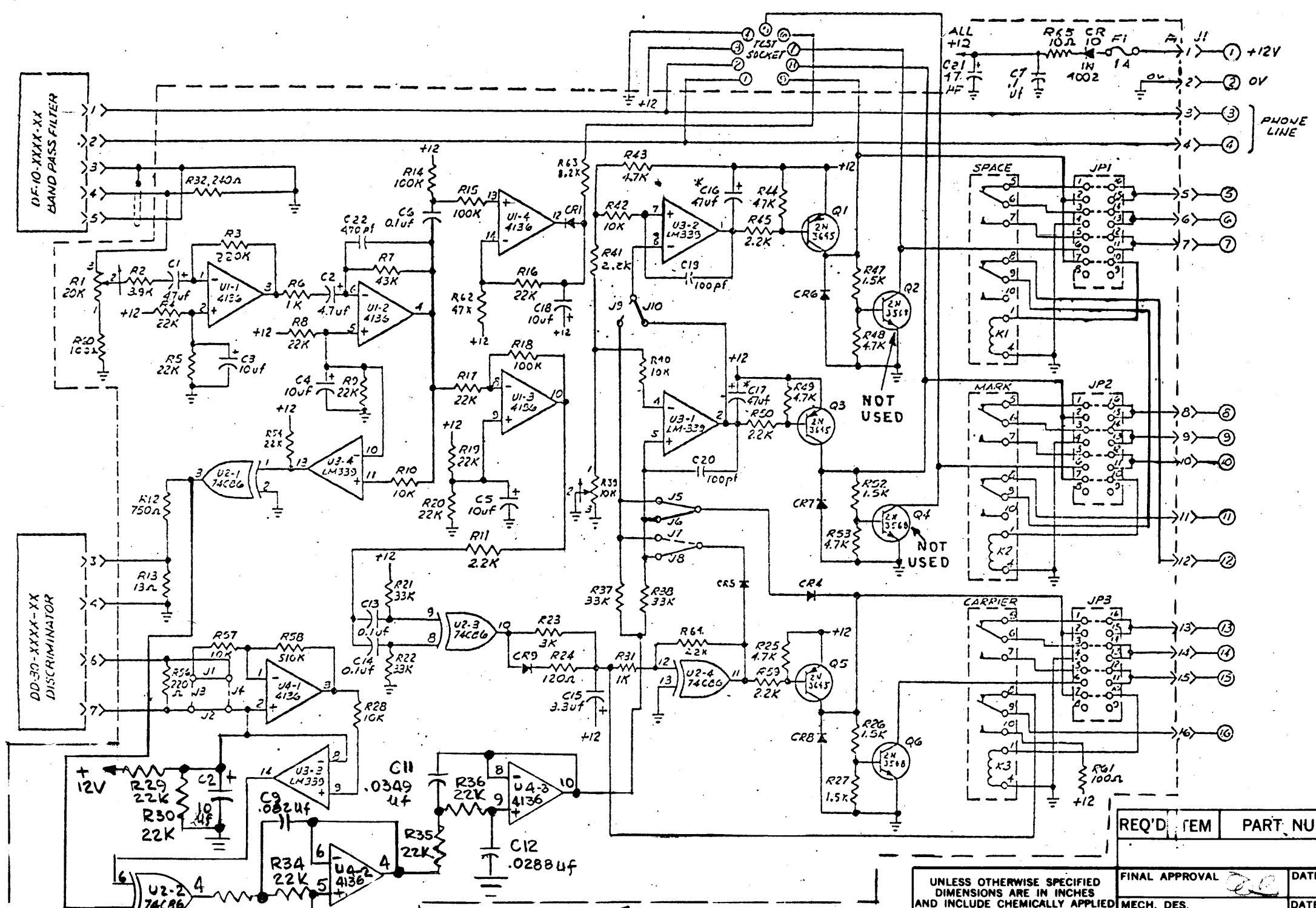


REVISIONS					DATE	APPROVED
E.M.N. NO.	DRAFT	CHKD	ZONE	LTR	DESCRIPTION	



NOTES:  
 UNLESS OTHERWISE SPECIFIED:  
 1- ALL RESISTORS ARE 1/4 W,  
 ALL DIODES ARE IN914  
 ALL RELAYS ARE ALLIED CONTROL  
 12VDC - T154-2C  
 2- Q1, Q3 & Q9 ARE 2N3645  
 Q2, Q4 & Q6 ARE 2N3568  
 3- \* C16 & C17 ARE USED ON DR-30 19 ONLY  
 4- JPI, JP2 & JP3 ARE SHOWN IN RELAY  
 OUTPUT POSITION.  
 5- K1, K2 & K3 ARE SHOWN DE-ENERGISED.

REQ'D	ITEM	PART NUMBER	DESCRIPTION	SYM.
LIST OF MATERIAL				
THE TECHNICAL MATERIEL CORP. MAMARONECK, NEW YORK				
F.S.K. RECEIVER SCHEMATIC DR 30				
SIZE	CODE IDENT. NO.	DWG NO.	ISSUE	
B	82679	CK2210		
SCALE	SHEET		OF	

QTY / UNIT	MODEL USED ON	ASS'Y NO.
APPLICATION		
CODE		

NOTICE TO PERSONS RECEIVING THIS DRAWING  
 THE TECHNICAL MATERIEL CORPORATION claims proprietary right in the material disclosed hereon. This drawing is issued in confidence for engineering information only and may not be reproduced or used to manufacture anything shown hereon without permission from THE TECHNICAL MATERIEL CORPORATION to the user. This drawing is loaned for mutual assistance and is subject to recall at any time.

UNLESS OTHERWISE SPECIFIED  
 DIMENSIONS ARE IN INCHES  
 AND INCLUDE CHEMICALLY APPLIED  
 OR PLATED FINISHES

DECIMALS .X ± .05 .XX ± .01 .XXX ± .005	FRACTIONS 1/64 ANGLES 0°-30°
--	---------------------------------------

MATERIAL  
FINISH

FINAL APPROVAL	DATE
MECH. DES.	DATE
ELECT. DES.	DATE
CHECKED	DATE
DRAWN	DATE