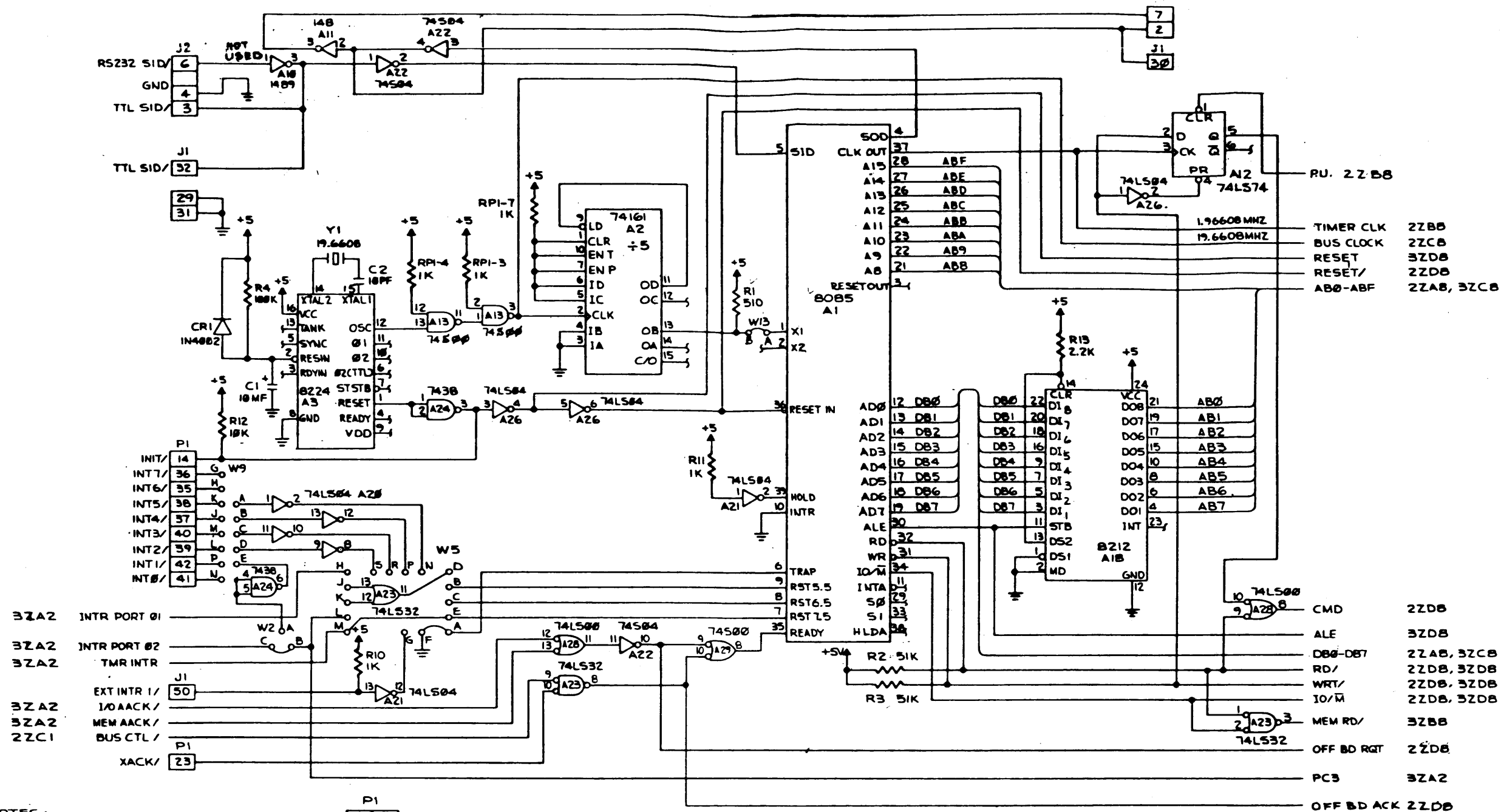
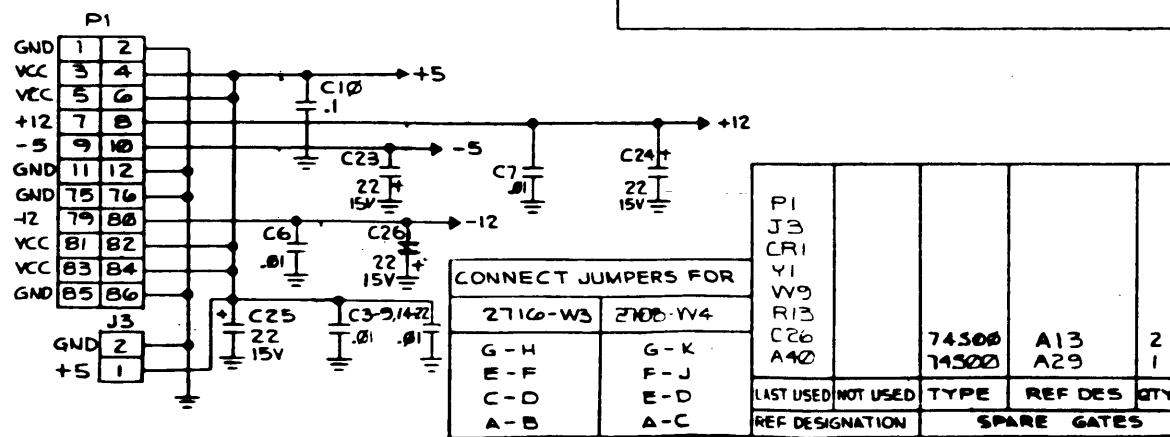


REQ. PER UNIT	USED ON			CK2207 X
	MODEL	ASBY. NO.	DATE	
	DPC-10		7-26-78	



- NOTES:
1. RESISTANCE VALUES ARE IN OHMS
1K, ±5%, 1/4 W.
 2. CAPACITANCE VALUES ARE IN MICROFARADS
.01UF, ±5%.



REQ'D	ITEM	PART NUMBER	DESCRIPTION	SYM.
LIST OF MATERIAL				
FINAL APPROVAL		DATE		
MECH. DES.		DATE		
ELECT. DES.		DATE		
CHECKED		DATE		
DRAWN		DATE		
G.D.L.		7-26-78		
SIZE	CODE IDENT. NO.	DWG NO.	ISSUE	
B	82679	CK 2207	X	
SCALE	SHEET 1 OF 3			

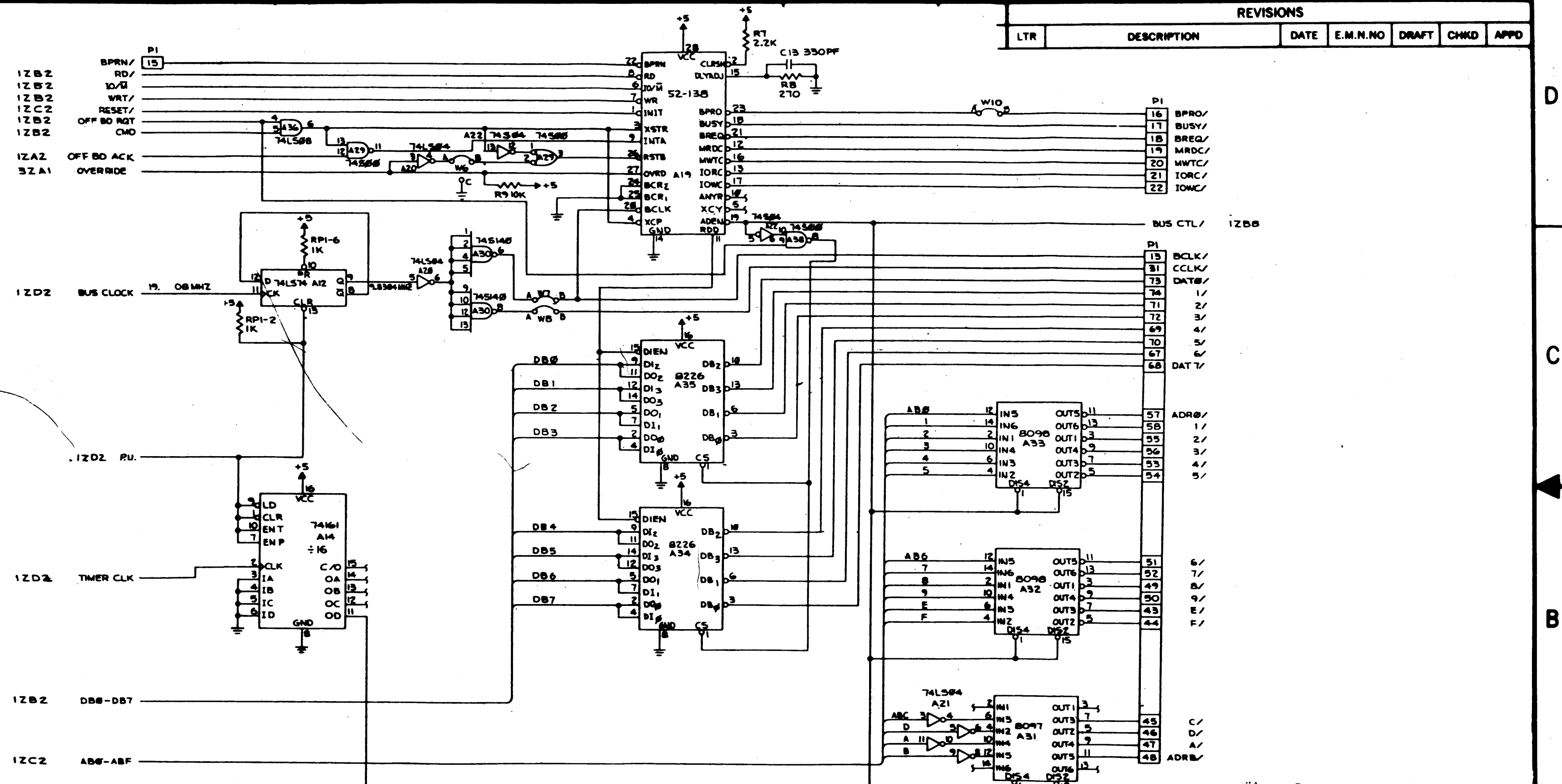
5

4

3

REVISIONS

LTR	DESCRIPTION	DATE	E.M.N.NO	DRAFT	CHKD	APPD



THE TECHNICAL MATERIEL CORP.
MAMARONECK, NEW YORK

DIAGRAM, SCHEMATIC
SINGLE BOARD COMPUTER 80/05

SIZE	CODE IDENT. NO.	DWG NO.	ISSUE
B	82679	CK 22 07	X

DPC-10	7-26-78
MODEL	DATE

SHEET 2 OF 3

5

4

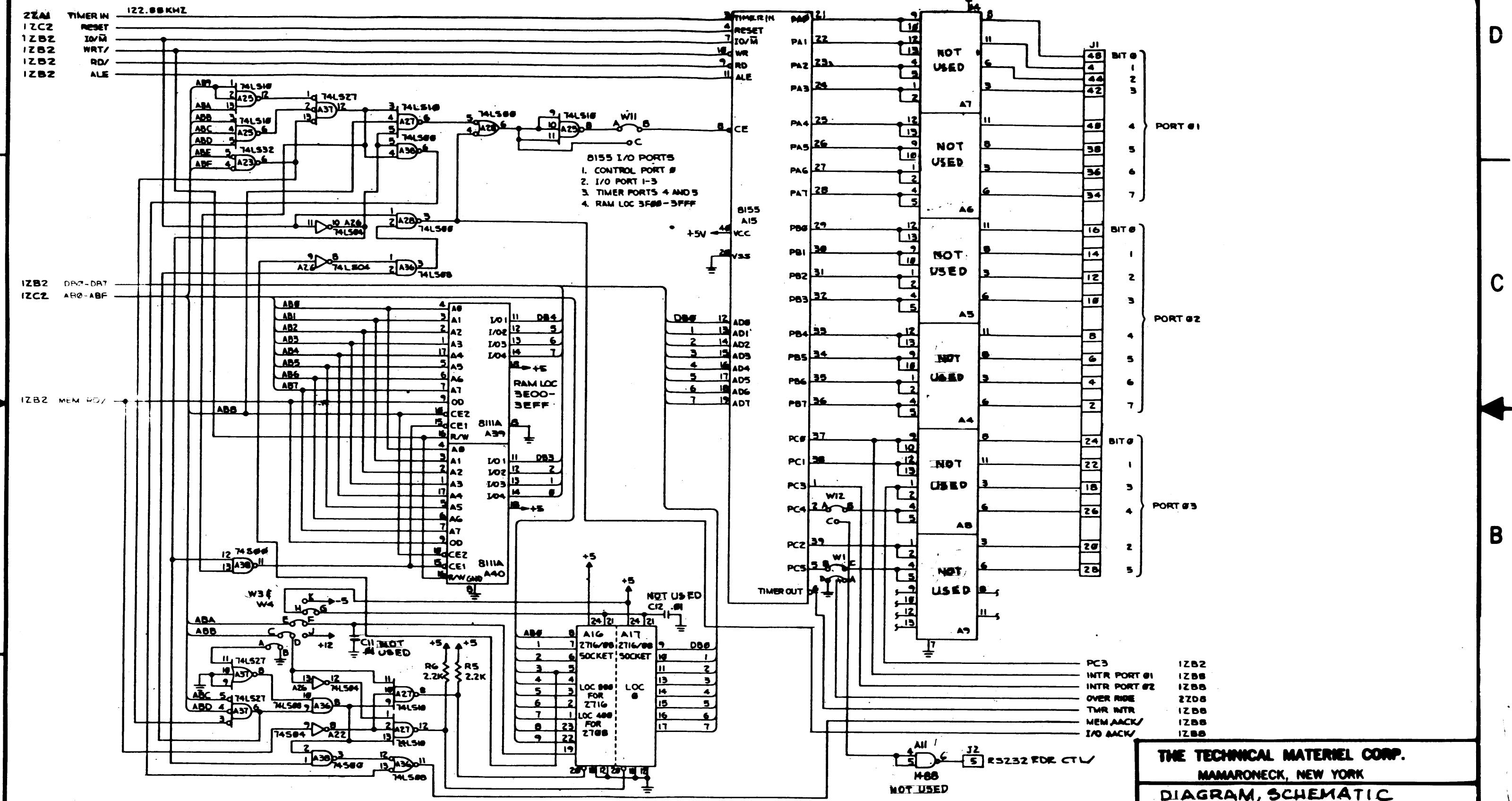
3

2

1

REVISIONS

LTR	DESCRIPTION	DATE	E.M.N.NO	DRAFT	CHKD	APPD
-----	-------------	------	----------	-------	------	------



THE TECHNICAL MATERIEL CORP.
MAMARONECK, NEW YORK
DIAGRAM, SCHEMATIC
SINGLE BOARD COMPUTER

DPC-10		7-27-78	82679	CK2207	X
MODEL	ASS'Y NO.	DATE		SHEET 3 OF 3	