

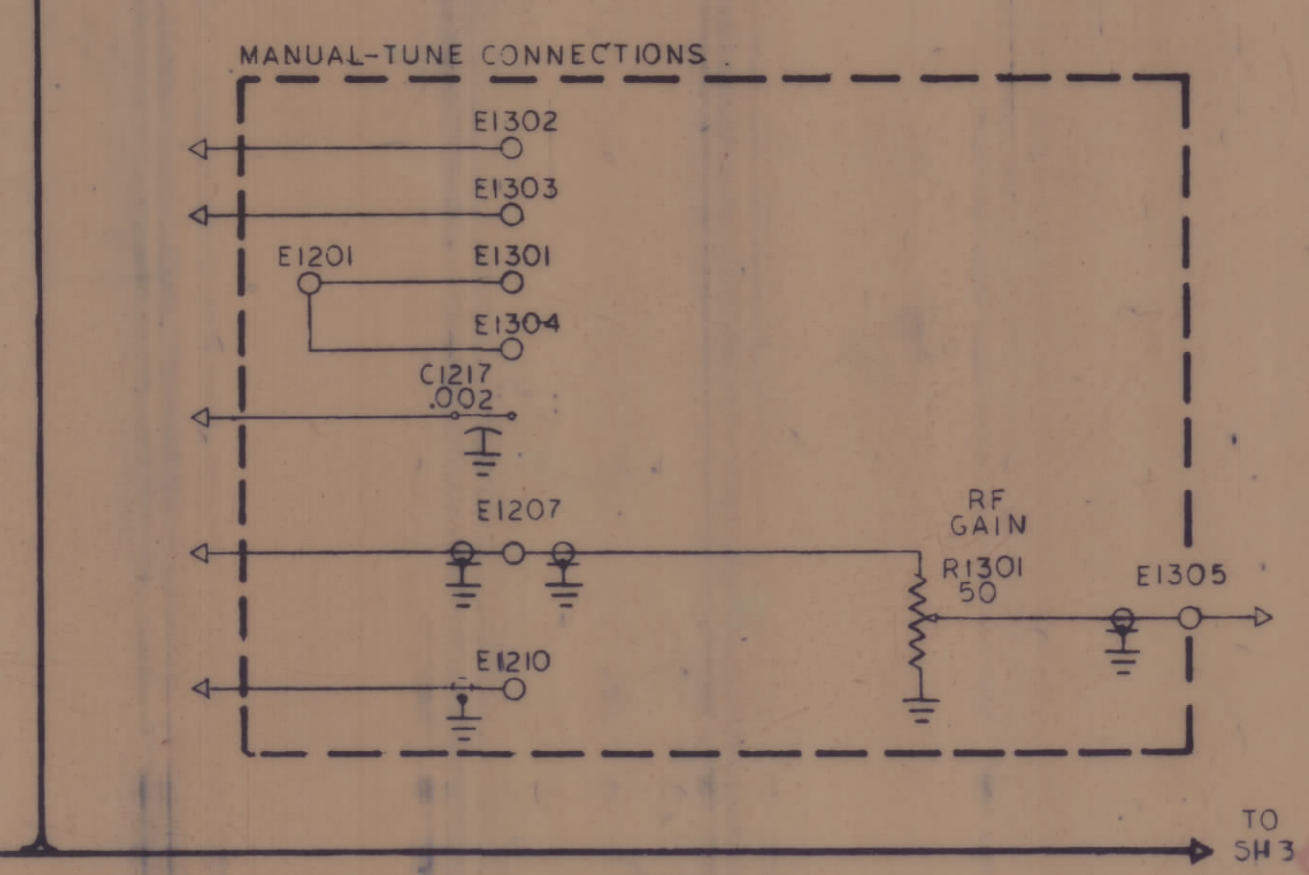
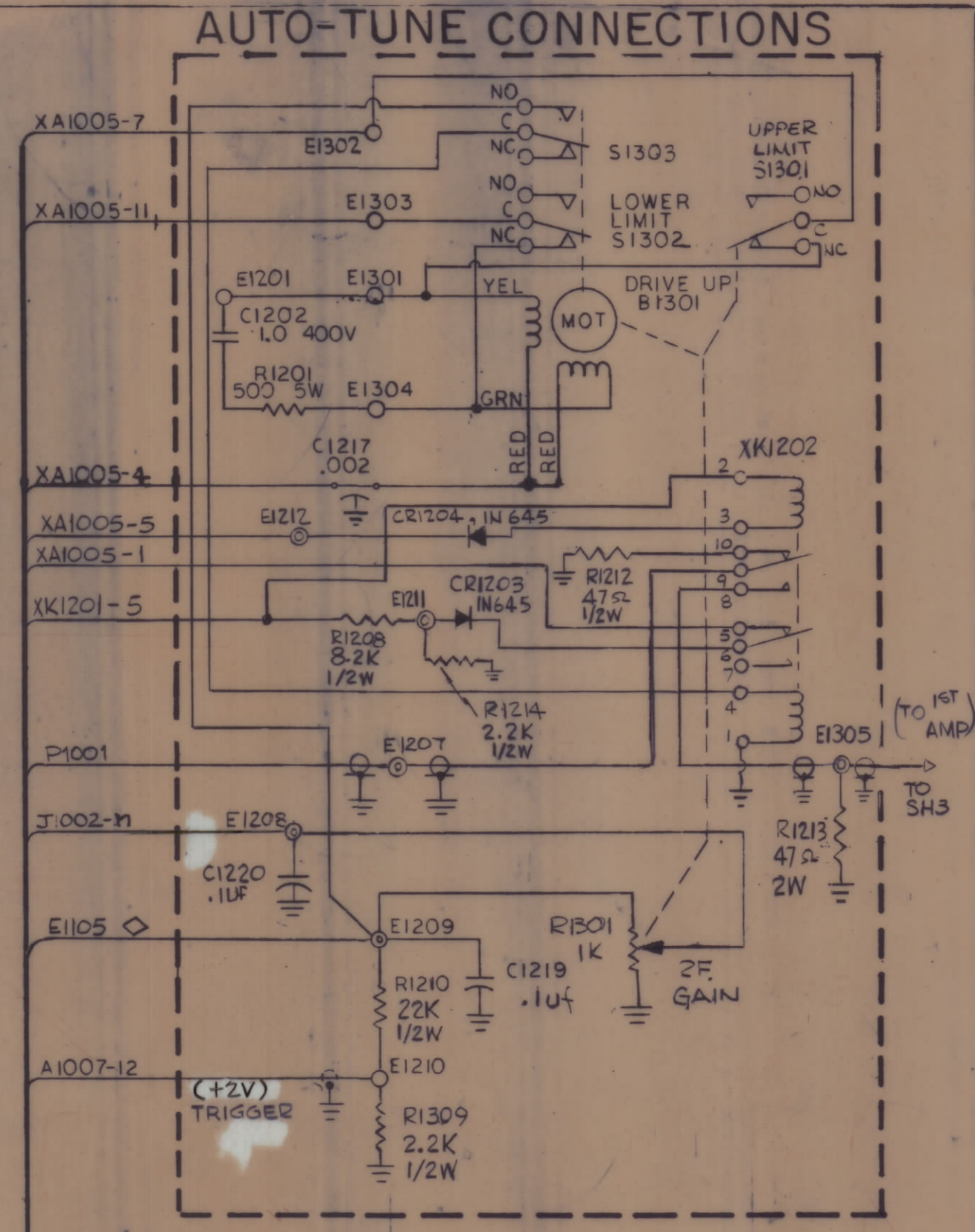
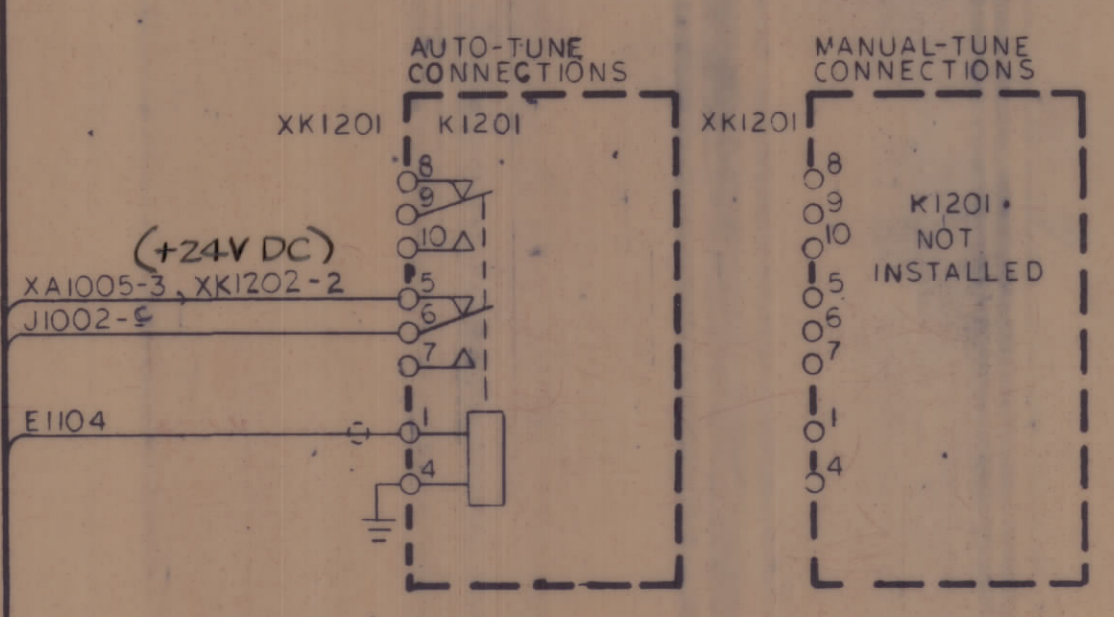
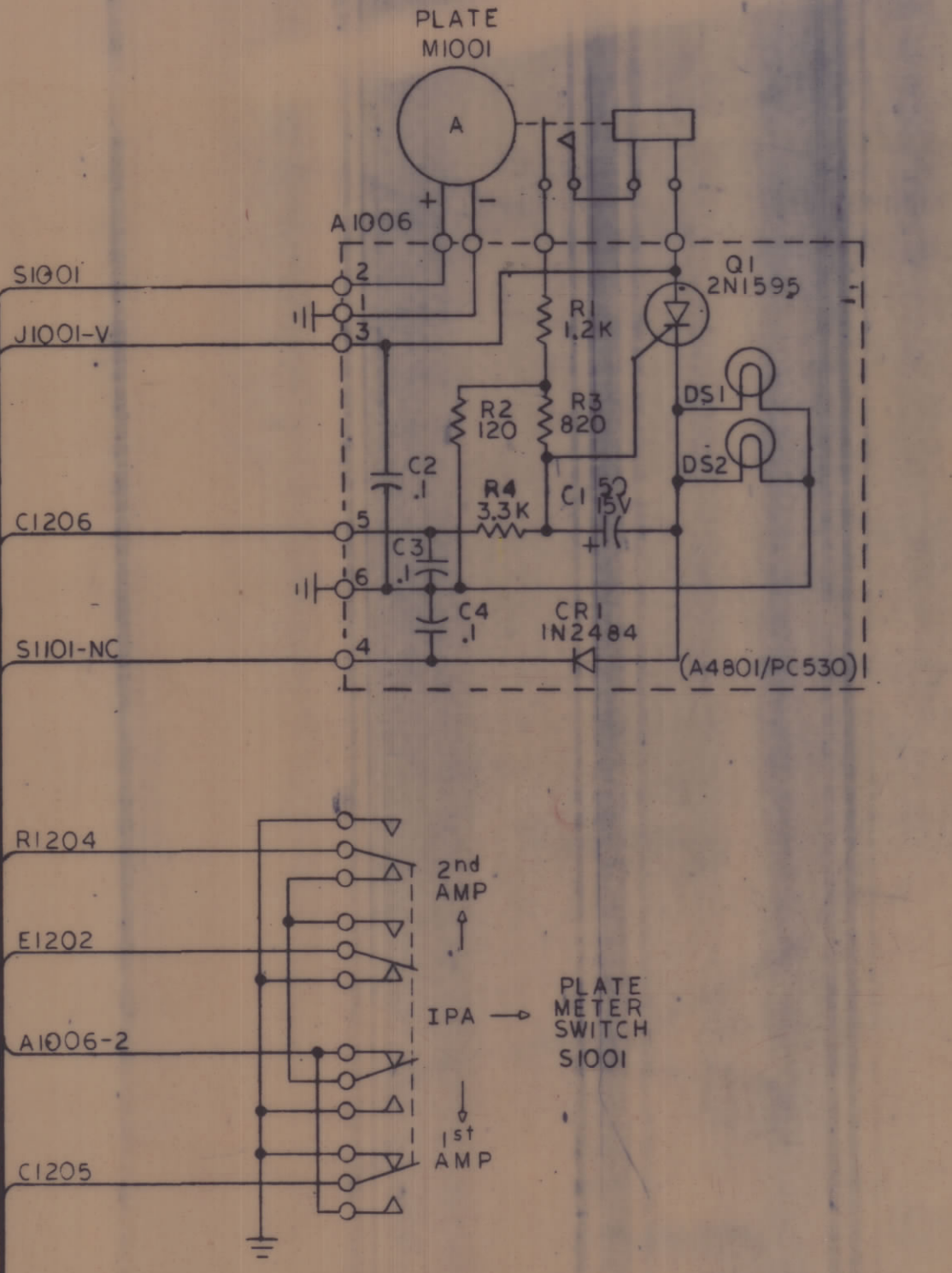
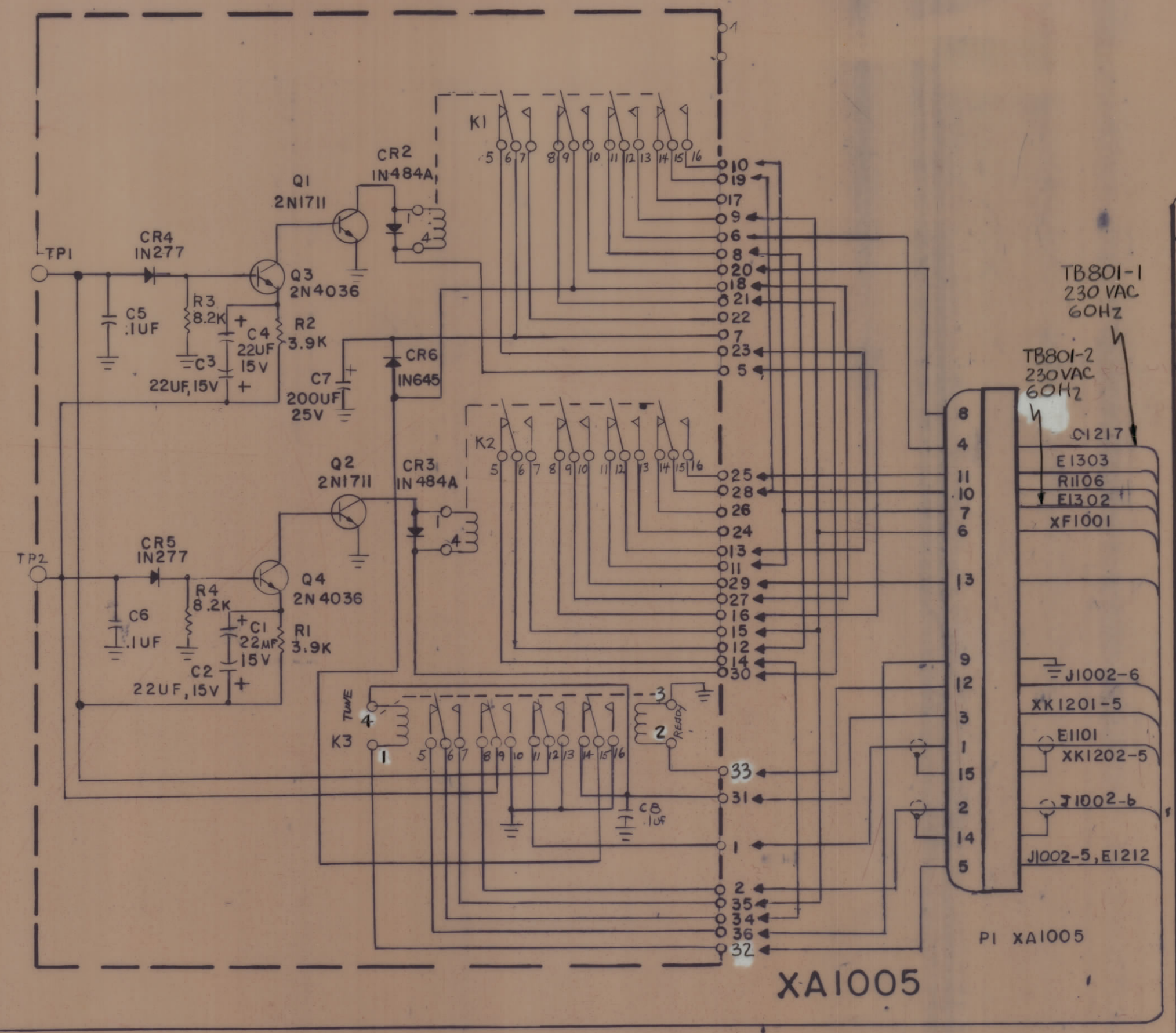
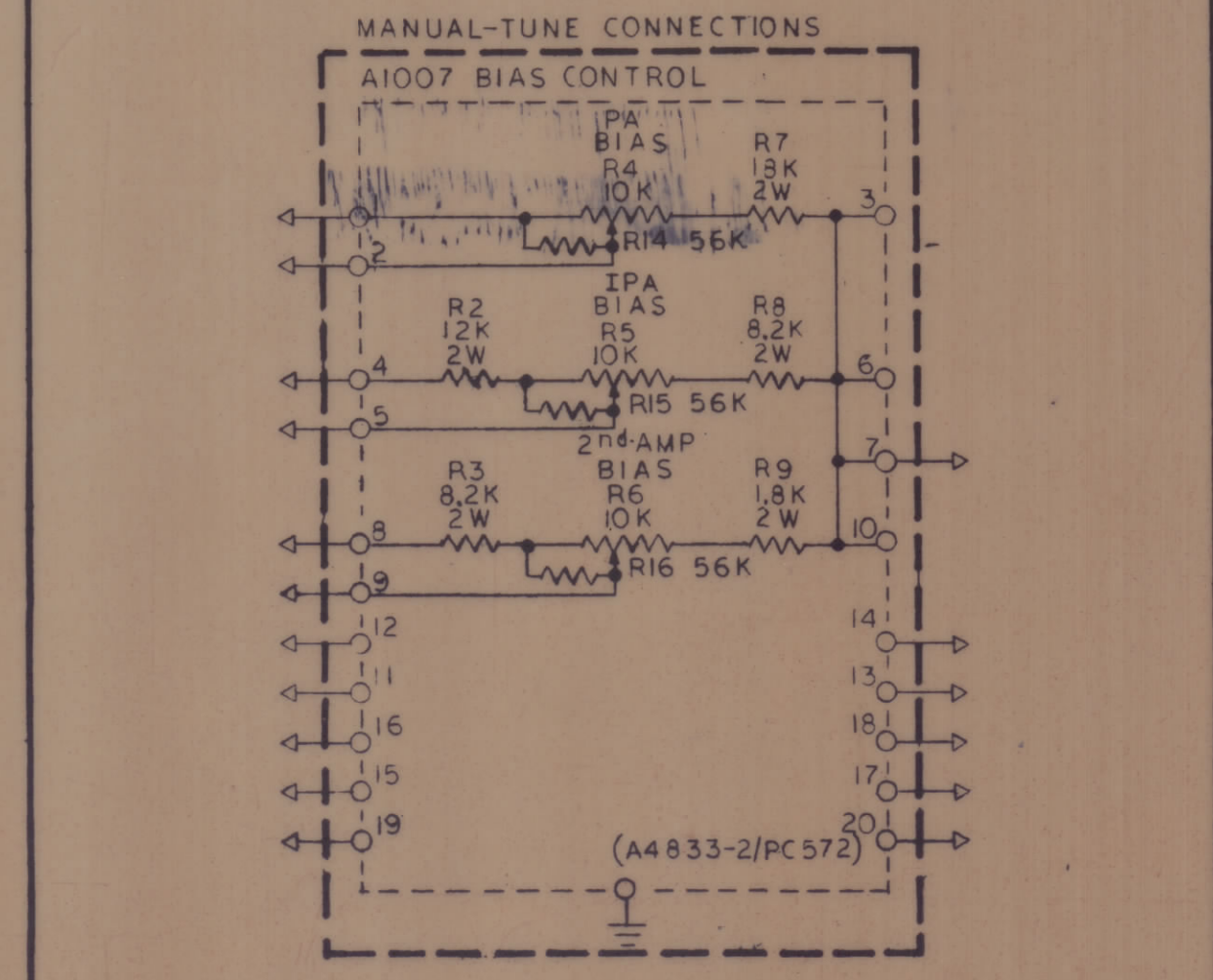
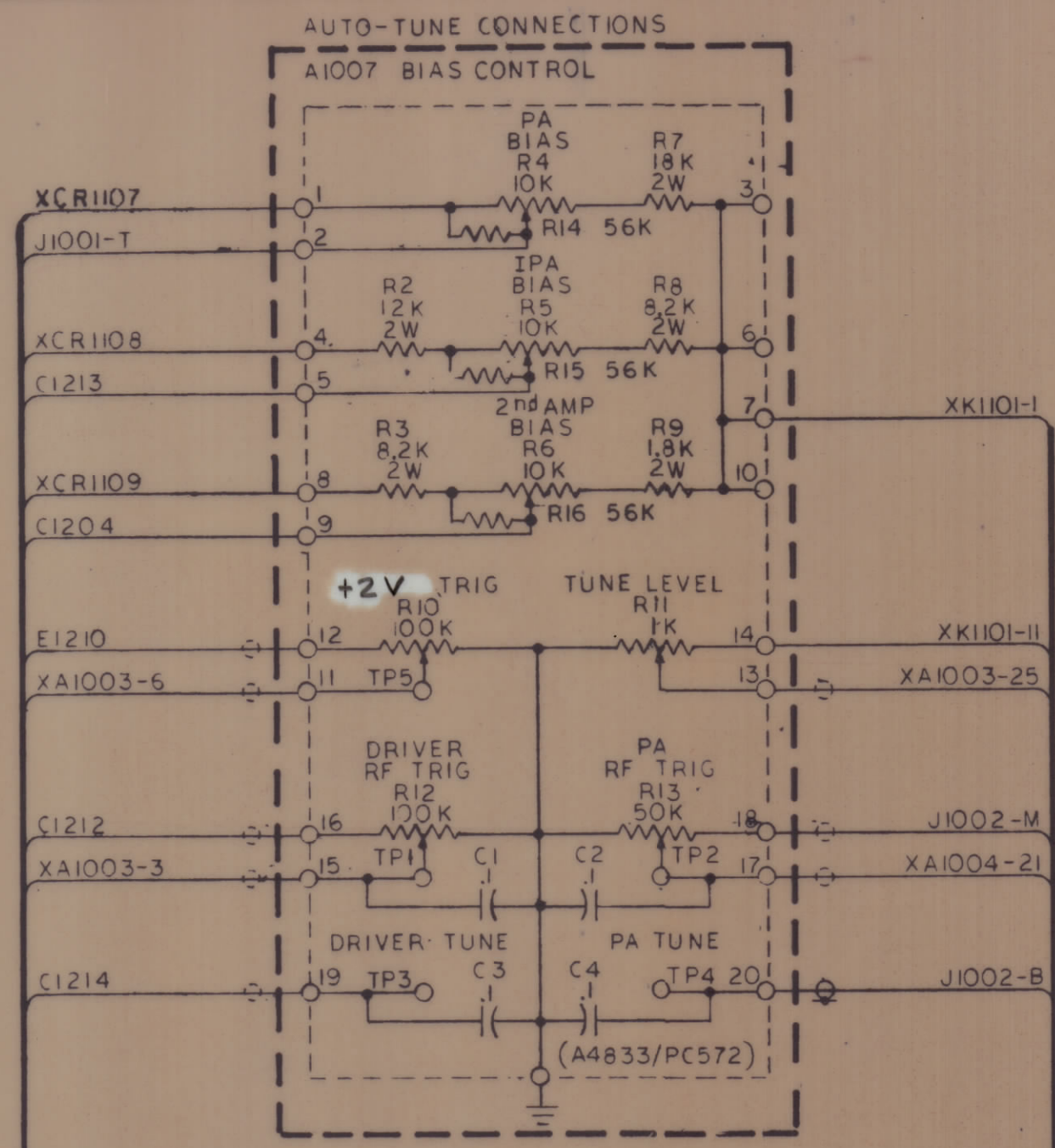
REVISIONS						NOTICE TO PERSONS RECEIVING THIS DRAWING		DATE		DRAWN		CHECKED		APPROVED	
ZONE	ITR	DESCRIPTION	DATE	BY	NO.	DATE	BY	NO.	DATE	BY	NO.	DATE	BY	NO.	DATE

THE TECHNICAL MATERIEL CORP.
MAMARONECK, NEW YORK

DIAGRAM SCHEMATIC
DRIVER DRAWER AX 5235
(LOCKED)

82679 CK2194

SCALE SHEET 1 OF 3



(A5629) NOT USED WITH MANUAL TRANSMITTER

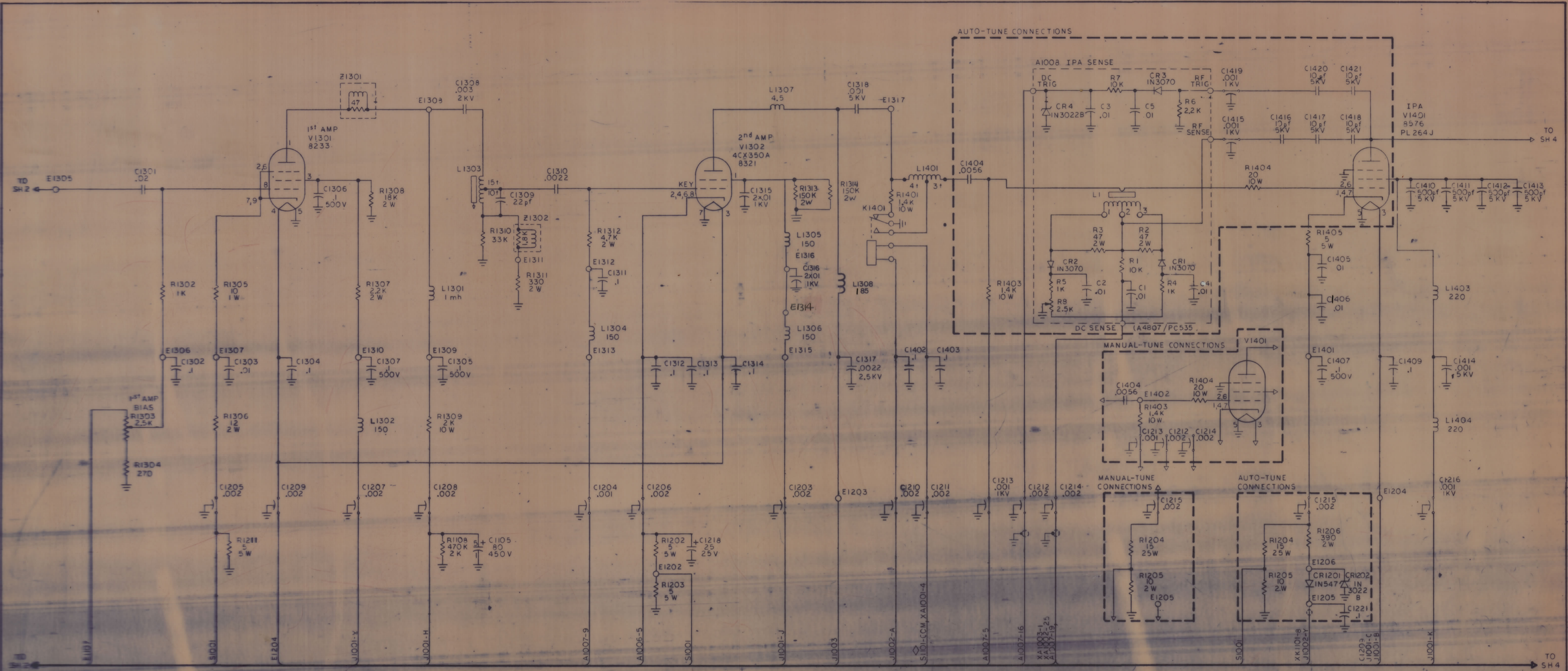
1000		A1001		A1001A		A1002	
LAST SYMBOLS	MISS SYM	LAST SYM	MISS SYM	LAST SYM	MISS SYM	LAST SYM	MISS SYM
A1008	XA1005	A1		C12		C11	
C1001	XF1004	B1		E12		CR1	
E1001		C5				E23	
F1004		S2				J1	
J1007						K1	
L1001						L3	
M1001						R3	
P1001						S2	
S1001						XK1	

FOR A1003 & A1004 SYMBOL CHARTS SEE APPROPRIATE SCHEMATICS.

REVISIONS						
ZONE	178	DATE	BY	NO	DRAFT	APPD

NOTICE TO PERSONS RECEIVING THIS DRAWING
 THE TECHNICAL MATERIEL CORP. CONSIDERS THIS DRAWING AS THE PROPERTY OF THE COMPANY. IT IS TO BE USED ONLY FOR THE PURPOSES SPECIFIED THEREIN. IT IS NOT TO BE REPRODUCED OR COPIED IN ANY MANNER WITHOUT THE WRITTEN PERMISSION OF THE COMPANY. THE DRAWING IS LOANED TO YOU AND IS NOT TO BE RETURNED TO THE COMPANY.

FINAL APPROV	DATE	THE TECHNICAL MATERIEL CORP.
TECH DES	10/26/78	MAMARONE, A NEW YORK
CHECKED		DIAGRAM, SCHEMATIC
DRAWN	G.D.L.	DRIVER DRAWER AX 5235
SIZE	CODE IDENT. NO. DWG NO.	ISSUE
	82679 CK2194	
SCALE		SHEET 2 OF 4



SYMBOL	DESCRIPTION	SYMBOL	DESCRIPTION	SYMBOL	DESCRIPTION
AI005A1	LAST SYM/MISS SYM	AI006	LAST SYM/MISS SYM	AI007	LAST SYM/MISS SYM
C4		C4		C4	
CR1		CR1		E20	
DS2		DS2		R15	
E6		E6		TP5	
Q1		Q1			
R4		R4			
XD52		XD52			

ZONE	LTR	DESCRIPTION	DATE	BY	CHKD	APPD

NOTICE TO PERSONNEL RECEIVING THIS DRAWING: THE TECHNICAL MATERIEL CORPORATION claims proprietary right in the material disclosed herein. Any drawing is made in confidence for engineering information only and may not be reproduced or used in any manner without the express written permission of THE TECHNICAL MATERIEL CORPORATION. In the event this drawing is used for technical assistance and is subject to recall at any time.

DATE: 10/26/58
 RECD. DES. DATE: 10/26/58
 CHECKED: DATE: 10/26/58
 DRAWN: G.D.L. DATE: 5-11-58

THE TECHNICAL MATERIEL CORP.
 MAMARONECK, NEW YORK

DIAGRAM, SCHEMATIC
 DRIVER DRAWER AX5235

SIZE: CODE IDENT NO/DWG NO. ISSUE
 82679 CK2194

SCALE: SHEET 3 OF 4

