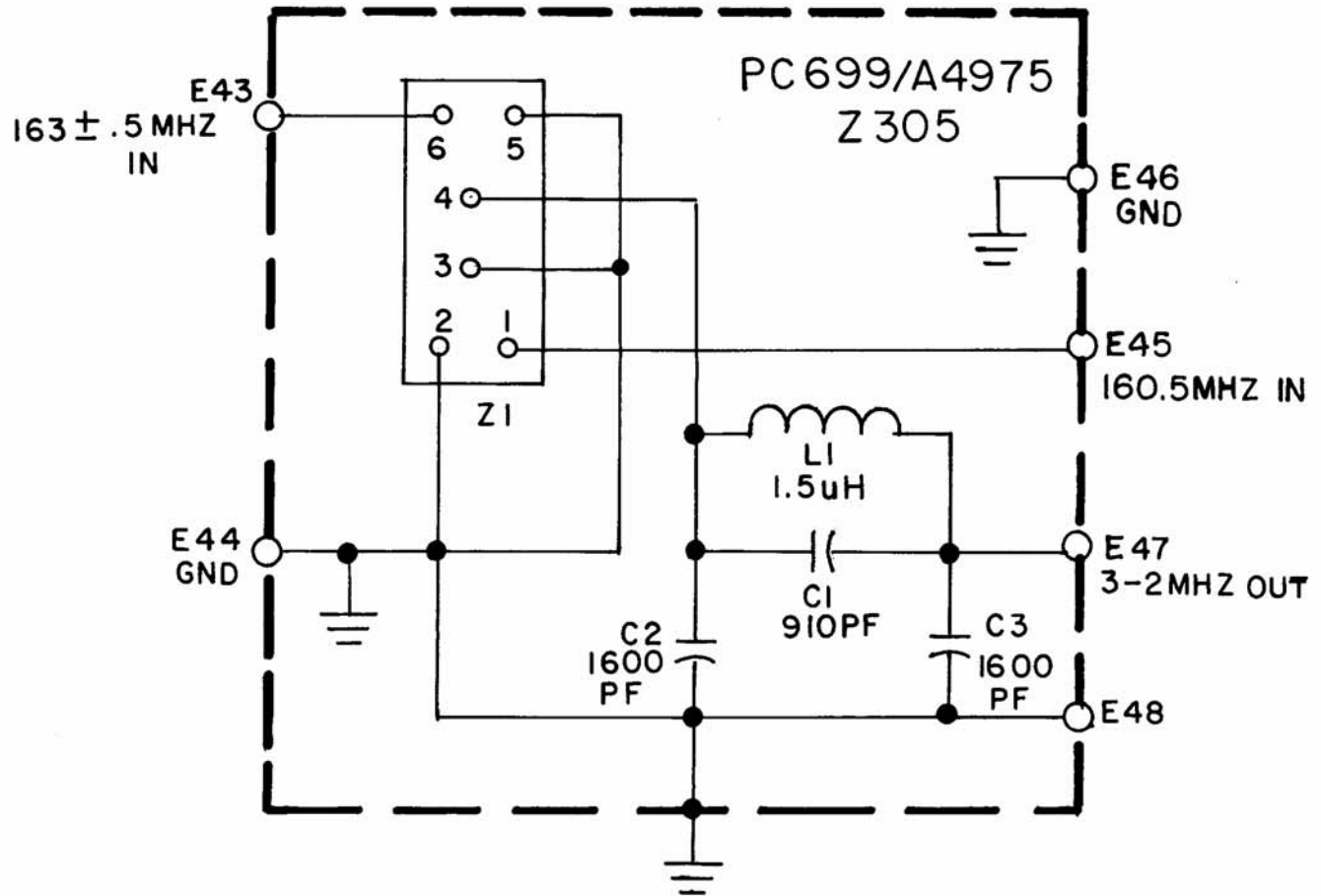


APPLICATION			REVISIONS							
QTY	MODEL USED ON	ASS'Y NO.	LTR	DESCRIPTION	DATE	E.M.N.NO	DRAFT	CHKD	APPD	
1	GPR-110 A	A4975								
1	GPR-110 B	A4975								



UNLESS OTHERWISE SPECIFIED DIMENSIONS ARE IN INCHES AND INCLUDE CHEMICALLY APPLIED OR PLATED FINISHES		REQ'D	ITEM	PART NUMBER	DESCRIPTION	SYM.	
DECIMALS .X ± .05 .XX ± .01 .XXX ± .005 TOLS. 1/64 ANGLES 0°-30°		LIST OF MATERIAL					
MATERIAL		FINAL APPROVAL		DATE		THE TECHNICAL MATERIEL CORP. MAMARONECK, NEW YORK SCHEMATIC DIAG. 2nd MIXER IF OUTPUT	
FINISH		MECH. DES.		DATE			
		ELECT. DES.		DATE			
		CHECKED		DATE			
		DRAWN G.D.L.		DATE 3-26-77			
NOTICE TO PERSONS RECEIVING THIS DRAWING THE TECHNICAL MATERIEL CORPORATION claims proprietary right in the material disclosed hereon. This drawing is issued in confidence for engineering information only and may not be reproduced or used to manufacture anything shown hereon without permission from THE TECHNICAL MATERIEL CORPORATION to the user. This drawing is loaned for mutual assistance and is subject to recall at any time.				SIZE A	CODE IDENT. NO. 82679	DWG NO. CK2159	ISSUE 1
				SCALE	SHEET		OF