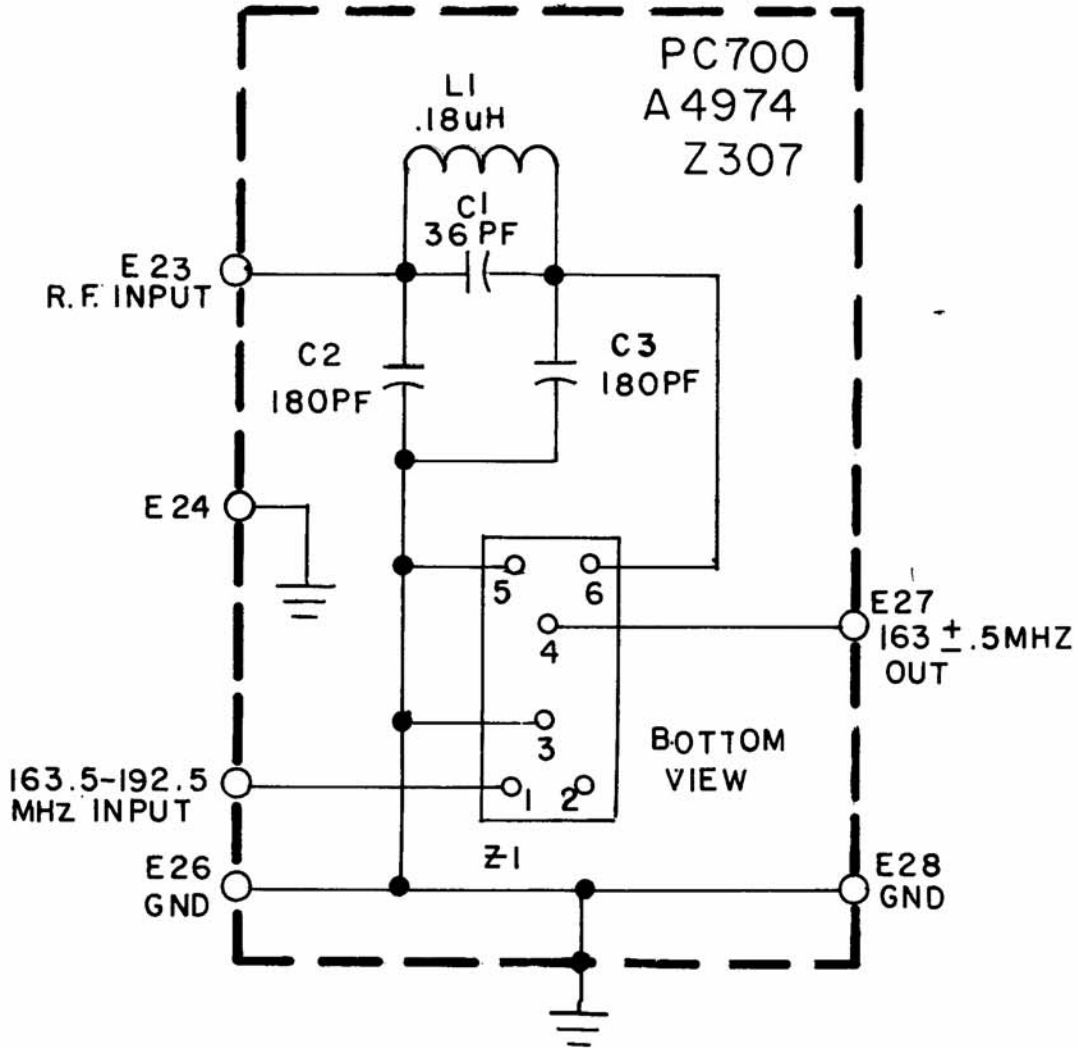


APPLICATION			REVISIONS							
QTY	MODEL USED ON	ASS'Y NO.	LTR	DESCRIPTION	DATE	E.M.N.NO	DRAFT	CHKD	APPD	
1	GPR-110A	A4974								
1	GPR-110B	A4974								



UNLESS OTHERWISE SPECIFIED DIMENSIONS ARE IN INCHES AND INCLUDE CHEMICALLY APPLIED OR PLATED FINISHES		REQ'D	ITEM	PART NUMBER	DESCRIPTION	SYM.
<b>LIST OF MATERIAL</b>						
DECIMALS .X ± .05 .XX ± .01 .XXX ± .005 TOLS.		FRACTIONS 1/64 ANGLES 0° - 30°		<b>THE TECHNICAL MATERIEL CORP.</b> MAMARONECK, NEW YORK		
MATERIAL		FINAL APPROVAL		DATE		<b>1<sup>st</sup> SCHEMATIC DIAG.</b> <b>MIXER INPUT</b>
FINISH		MECH. DES.		DATE		
		ELECT. DES.		DATE		
		CHECKED		DATE		
		DRAWN G.D.L		DATE 3-26-77		
<b>NOTICE TO PERSONS RECEIVING THIS DRAWING</b> THE TECHNICAL MATERIEL CORPORATION claims proprietary right in the material disclosed hereon. This drawing is issued in confidence for engineering information only and may not be reproduced or used to manufacture anything shown hereon without permission from THE TECHNICAL MATERIEL CORPORATION to the user. This drawing is loaned for mutual assistance and is subject to recall at any time.				SIZE <b>A</b>	CODE IDENT. NO. <b>82679</b>	DWG NO. <b>CK2158</b>
				SCALE	SHEET	OF
						ISSUE <b>X</b>