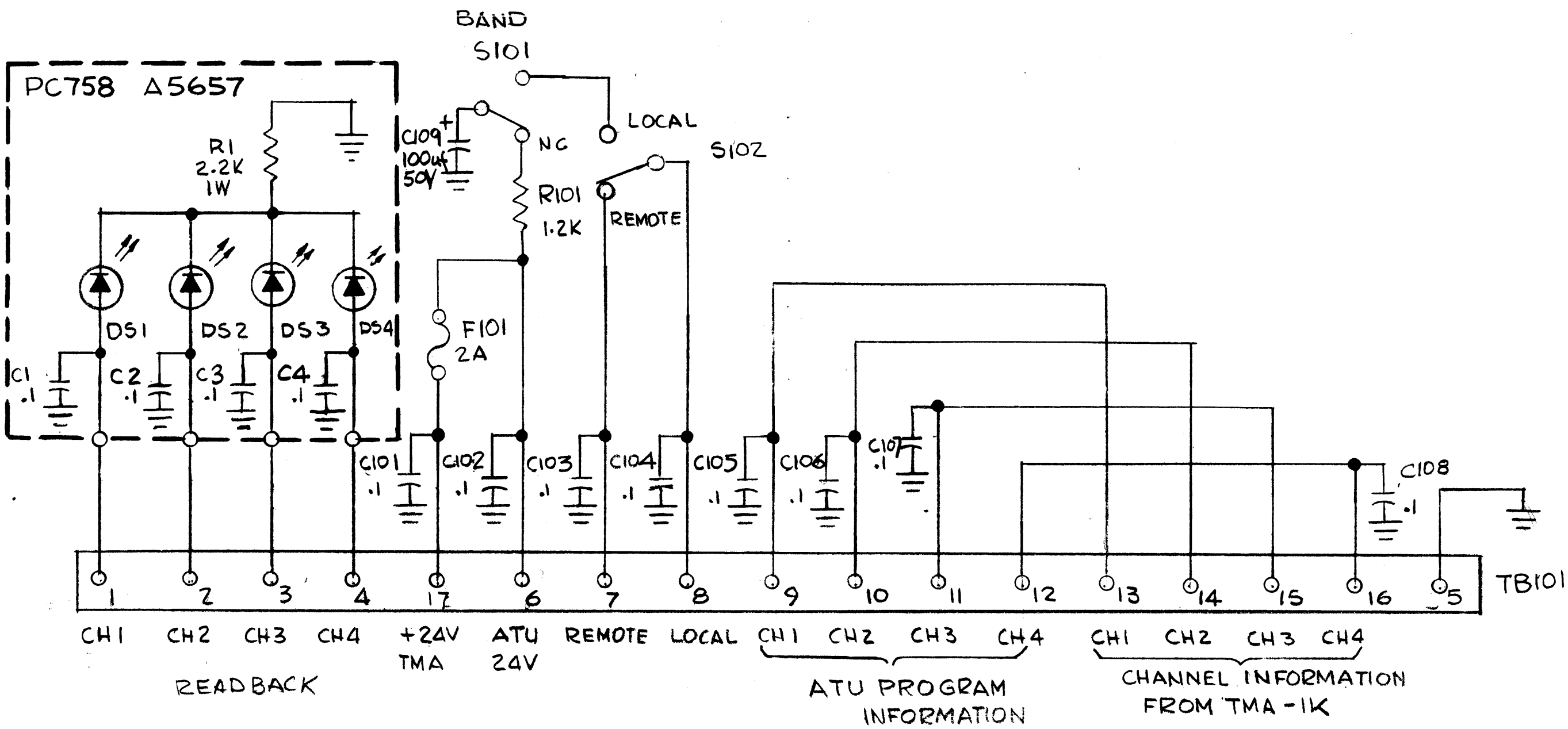


REVISIONS							
E.M.N. NO.	DRAFT	CHKD	ZONE	LTR	DESCRIPTION	DATE	APPROVED
	PH			Ø	ORIGINAL RELEASE FOR PRODUCTION	1-17-78	



1	ATU-1K	AX5216
QTY / UNIT	MODEL USED ON	ASSY NO.
APPLICATION		
CODE		

NOTICE TO PERSONS RECEIVING THIS DRAWING
 THE TECHNICAL MATERIEL CORPORATION claims proprietary right in the material disclosed hereon. This drawing is issued in confidence for engineering information only and may not be reproduced or used to manufacture anything shown hereon without permission from THE TECHNICAL MATERIEL CORPORATION to the user. This drawing is loaned for mutual assistance and is subject to recall at any time.

UNLESS OTHERWISE SPECIFIED DIMENSIONS ARE IN INCHES AND INCLUDE CHEMICALLY APPLIED OR PLATED FINISHES

DECIMALS: .X ± .05, .XX ± .01, .XXX ± .005
 FRACTIONS: 1/64
 ANGLES: 0°-30°
 TOLS.

MATERIAL
 FINISH

REQ'D	ITEM	PART NUMBER	DESCRIPTION	SYM.
LIST OF MATERIAL				
FINAL APPROVAL: <i>[Signature]</i> DATE: 1/17/68				
MECH. DES. DATE				
ELECT. DES. DATE				
CHECKED DATE				
DRAWN DATE				
THE TECHNICAL MATERIEL CORP. MAMARONECK, NEW YORK				
DIAGRAM, SCHEMATIC, ATU-1K FRONT PANEL READOUT, CONT.				
SIZE	CODE IDENT. NO.	DWG NO.	ISSUE	
B	82679	CK 2141	Ø	
SCALE	SHEET			OF