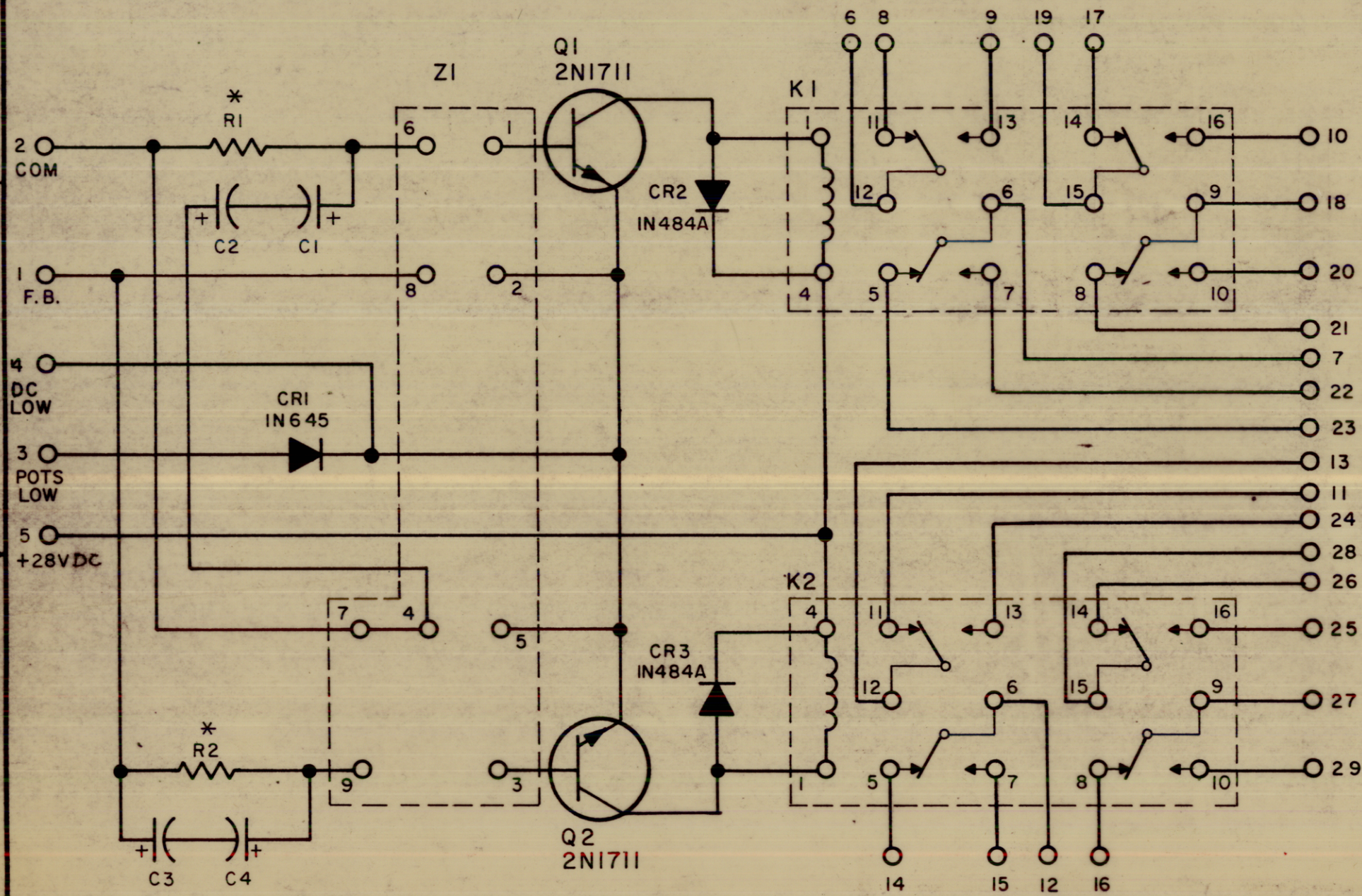


| REVISIONS | | | | | |
|-----------|-----|----------------------|--------|----------|------|
| ZONE | LTR | DESCRIPTION | DATE | E.M.N.NO | APPD |
| | Ø | ORIG RELEASE FOR PRO | 3/6/72 | | Cok |



NOTE: UNLESS SPECIFIED OTHERWISE
 1 ALL CAPACITORS ARE 22uf, 15V
 2 ALL RESISTORS ARE 1/4 WATT
 * NOMINAL VALUE - 12K
 ACTUAL VALUE SET AT FACTORY DURING CALIBRATION

| REQ'D | ITEM | PART NUMBER | DESCRIPTION | SYM. |
|--|-----------------|-------------|-------------|------|
| BUDETTI LIST OF MATERIAL | | | | |
| THE TECHNICAL MATERIEL CORP. MAMARONECK, NEW YORK | | | | |
| DIAGRAM, SCHEMATIC, AZ117 NETWORK DISCRIMINATOR | | | | |
| SIZE | CODE IDENT. NO. | DWG NO. | ISSUE | |
| B | 82679 | CK1934 | Ø | |
| SCALE | | | SHEET OF | |

| QTY / UNIT | MODEL USED ON | ASS'Y NO. |
|---|---------------|-----------|
| 1 | HFLA-10K | AX5113 |
| APPLICATION | | |
| CODE | | |
| <p>NOTICE TO PERSONS RECEIVING THIS DRAWING THE TECHNICAL MATERIEL CORPORATION claims proprietary right in the material disclosed hereon. This drawing is issued in confidence for engineering information only and may not be reproduced or used to manufacture anything shown hereon without permission from THE TECHNICAL MATERIEL CORPORATION to the user. This drawing is loaned for mutual assistance and is subject to recall at any time.</p> | | |

UNLESS OTHERWISE SPECIFIED DIMENSIONS ARE IN INCHES AND INCLUDE CHEMICALLY APPLIED OR PLATED FINISHES

| | |
|-------------|-----------|
| DECIMALS | FRACTIONS |
| .X ± .05 | 1/64 |
| .XX ± .01 | ANGLES |
| .XXX ± .005 | 0° - 30' |

TOLS.

MATERIAL

FINISH