

5

4

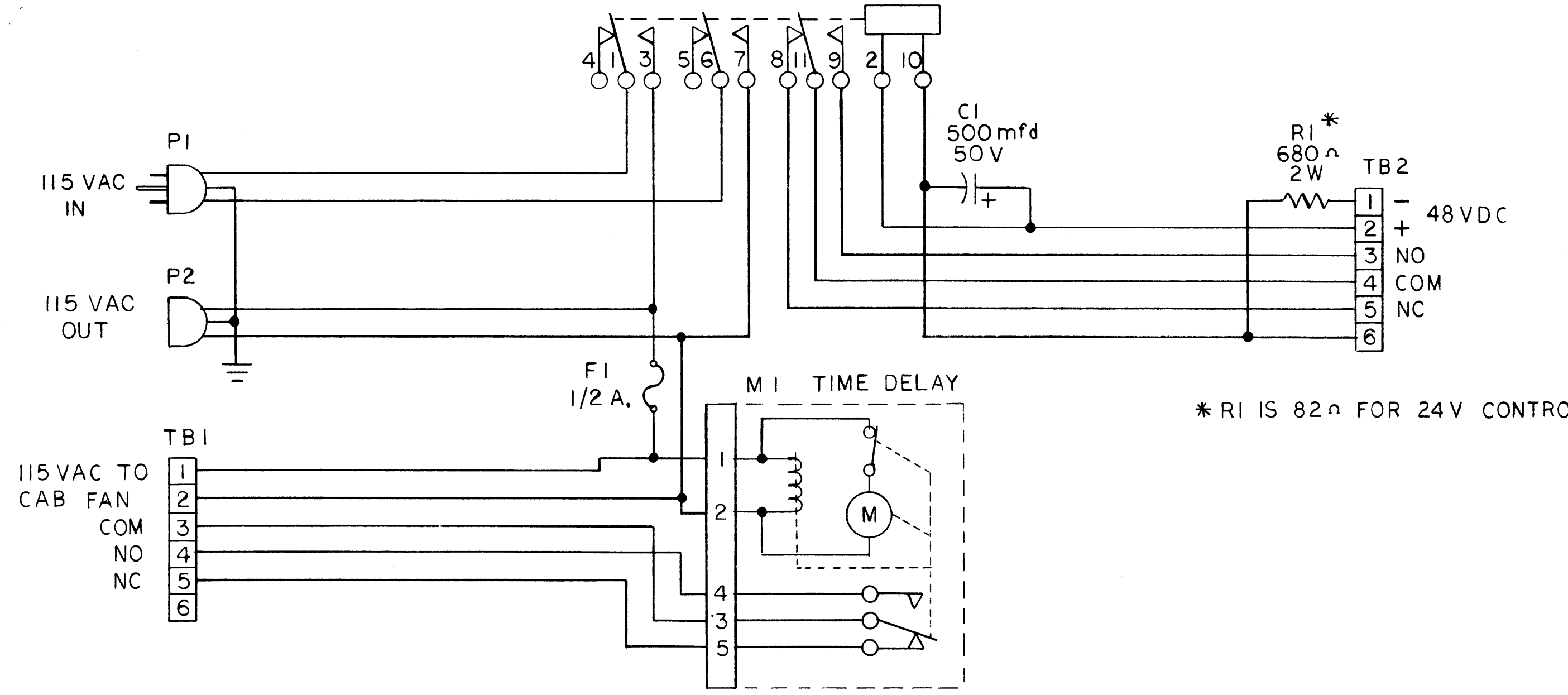
3

2

1

REVISIONS						
ZONE	LTR	DESCRIPTION	DATE	E.M.N.NO	DRAFT	CHKD APPD
	Ø	ORIG RELEASE FOR PROD	10/1/71		CV	

K1



* R1 IS 82Ω FOR 24V CONTROL

REQ'D	ITEM	PART NUMBER	DESCRIPTION	SYM.
LIST OF MATERIAL				
THE TECHNICAL MATERIEL CORP. MAMARONECK, NEW YORK				
DIAGRAM, SCHEM. LINE CONTROL UNIT				
SIZE	CODE IDENT. NO.	DWG NO.	ISSUE	
B	82679	CK1911	Ø	
SCALE	SHEET		OF	

QTY / UNIT	MODEL USED ON	ASS'Y NO.
	SYM 1203	AX 5138
APPLICATION		
	CODE	
<small>NOTICE TO PERSONS RECEIVING THIS DRAWING</small> <small>THE TECHNICAL MATERIEL CORPORATION claims proprietary right in the material disclosed hereon. This drawing is issued in confidence for engineering information only and may not be reproduced or used to manufacture anything shown hereon without permission from THE TECHNICAL MATERIEL CORPORATION to the user. This drawing is loaned for mutual assistance and is subject to recall at any time.</small>		

UNLESS OTHERWISE SPECIFIED DIMENSIONS ARE IN INCHES AND INCLUDE CHEMICALLY APPLIED OR PLATED FINISHES		FINAL APPROVAL <i>[Signature]</i>	DATE 30 Nov 71
DECIMALS	FRACTIONS	ELECT. DES. <i>[Signature]</i>	DATE 30 Nov 71
.X ± .05	1/64	CHECKED	DATE
.XX ± .01	TOLS. ANGLES	DRAWN <i>[Signature]</i>	DATE 29 Nov 71
.XXX ± .005	0° - 30'		
MATERIAL			
FINISH			

5

4

3

2

1