

5

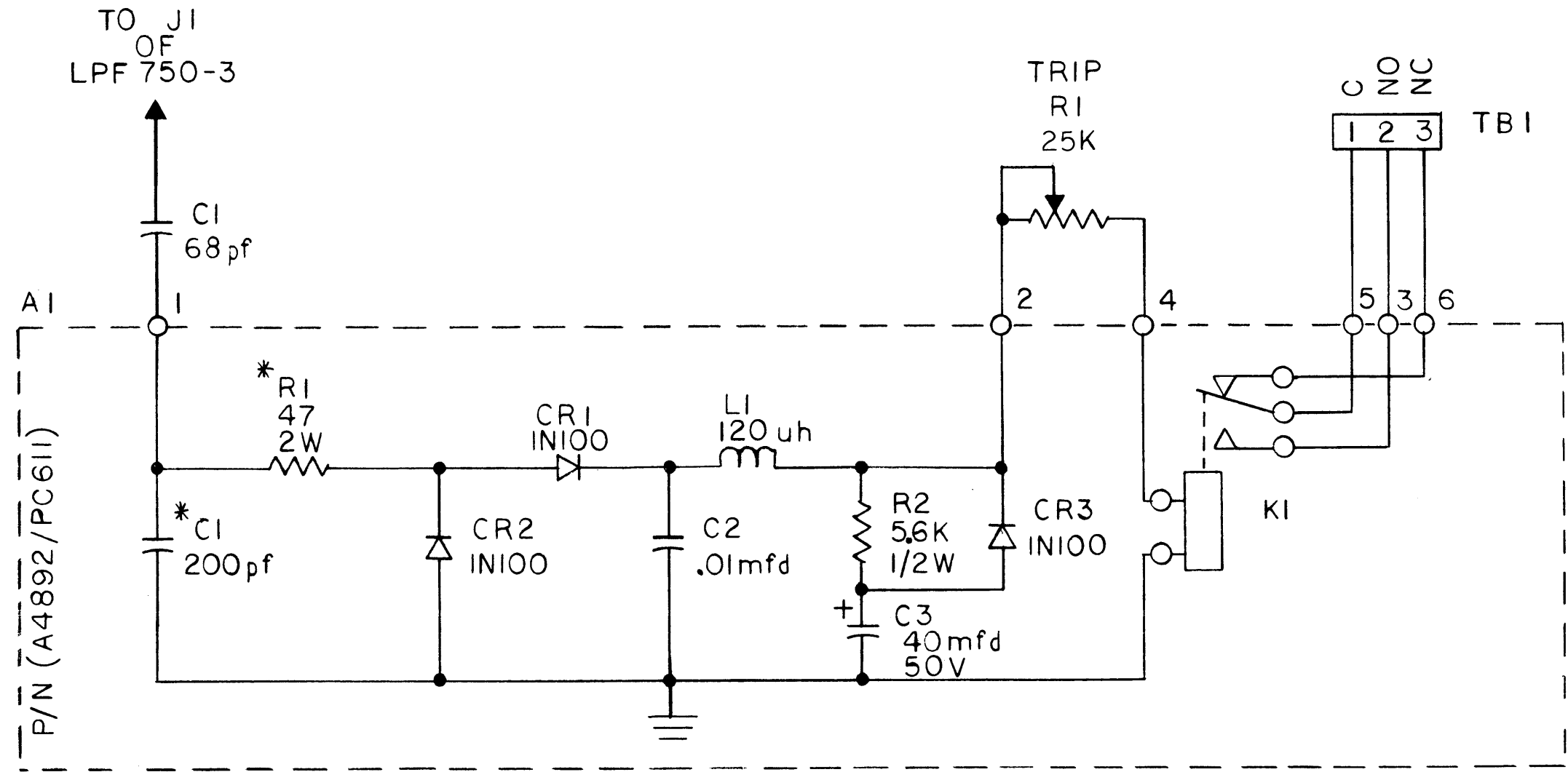
4

3

2

1

REVISIONS					
ZONE	LTR	DESCRIPTION	DATE	E.M.N.NO	APPD
	Ø	ORIG RELEASE FOR PROD	9/17/71		SV



* PARTIAL REFERENCE DESIGNATIONS ARE SHOWN.
 PREFIX WITH SUB-ASSEMBLY DESIGNATION. (AICI)

REQ'D	ITEM	PART NUMBER	DESCRIPTION	SYM.	
LIST OF MATERIAL					
THE TECHNICAL MATERIEL CORP. MAMARONECK, NEW YORK					
DIAGRAM, SCHEMATIC RF OUTPUT INDICATOR					
UNLESS OTHERWISE SPECIFIED DIMENSIONS ARE IN INCHES AND INCLUDE CHEMICALLY APPLIED OR PLATED FINISHES		FINAL APPROVAL <i>[Signature]</i>	DATE 19/10/71	SIZE B	
DECIMALS .X ± .05 .XX ± .01 .XXX ± .005		MECH. DES. <i>[Signature]</i>	DATE 19/10/71		CODE IDENT. NO. 82679
FRACTIONS 1/64 ANGLES 0° - 30'		ELECT. DES. <i>[Signature]</i>	DATE 19/10/71		DWG NO. CK1902
MATERIAL		CHECKED <i>[Signature]</i>	DATE 19/10/71		ISSUE Ø
FINISH		DRAWN <i>[Signature]</i>		SCALE	
QTY / UNIT SYM 1202 MODEL USED ON AX 5137 ASS'Y NO.		NOTICE TO PERSONS RECEIVING THIS DRAWING THE TECHNICAL MATERIEL CORPORATION claims proprietary right in the material disclosed hereon. This drawing is issued in confidence for engineering information only and may not be reproduced or used to manufacture anything shown hereon without permission from THE TECHNICAL MATERIEL CORPORATION to the user. This drawing is loaned for mutual assistance and is subject to recall at any time.			
APPLICATION CODE		SHEET OF			

5

4

3

2

1