

5

4

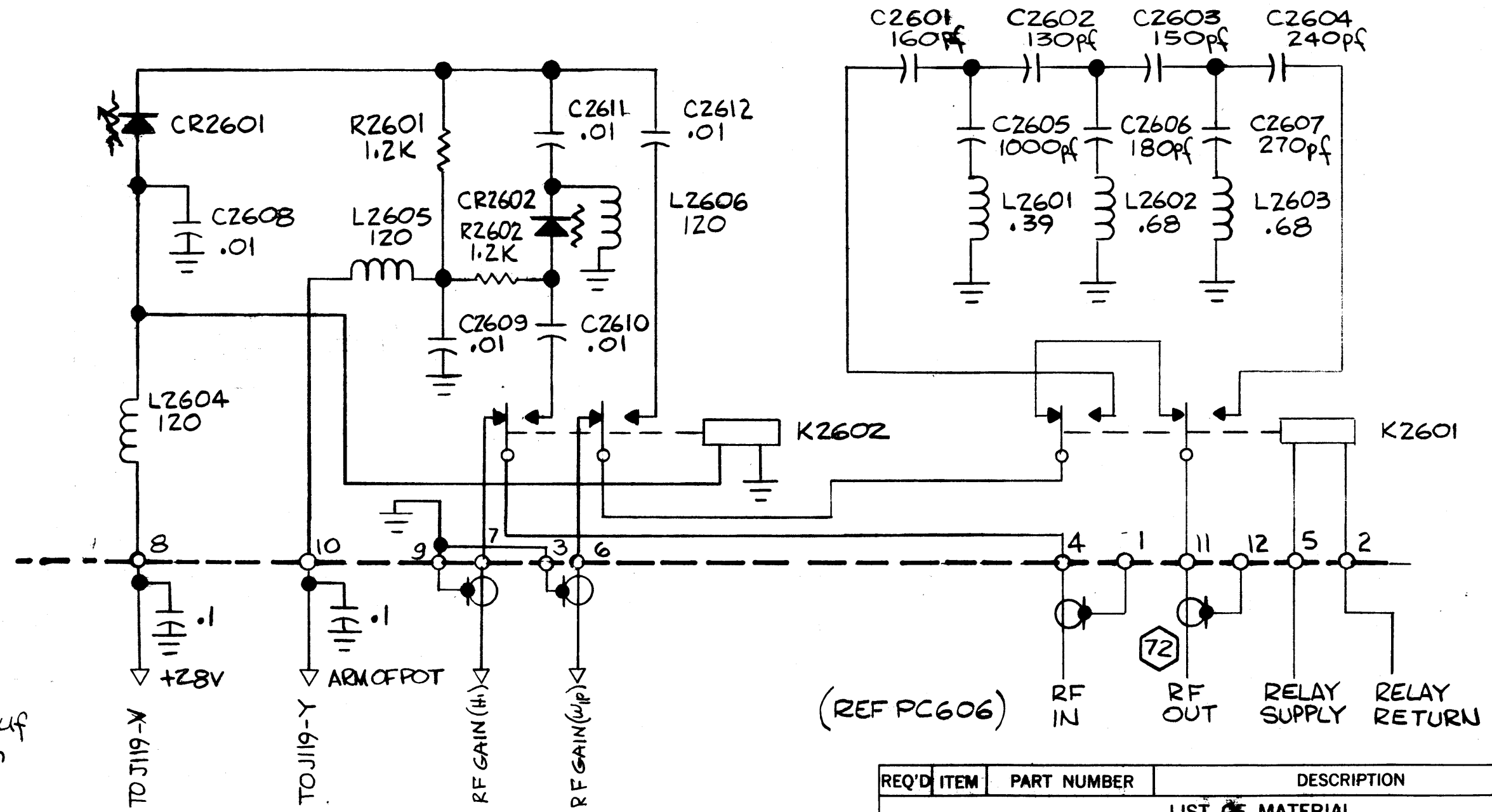
3

2

1

REVISIONS

REV	LINE	LTR	DESCRIPTION	DATE	E.M.N. NO	DRAFT	CHKD	APPD
		X1	CR2601 REVERSED L2607 ADDED	4-27-71				
		0	ORIG RELEASE FOR PROB	6/23/71		CV		PEB



UNLESS OTHERWISE SPEC.

ALL CAPICATORS ARE IN μ f
ALL COILS ARE IN μ h

(REF PC606)

REQ'D	ITEM	PART NUMBER	DESCRIPTION	SYM.
LIST OF MATERIAL				
THE TECHNICAL MATERIEL CORP. MAMARONECK, NEW YORK				
SCHEMATIC, RF ADJUST & HIGH PASS FILTER				
SIZE	CODE IDENT. NO.		DWG NO.	
B	82679		CK1879	
SCALE				

1	MMXA-2A (KIT 68)	A4885
QTY / UNIT	MODEL USED ON	ASS'Y NO.
	APPLICATION	
	CODE	

UNLESS OTHERWISE SPECIFIED
DIMENSIONS ARE IN INCHES
AND INCLUDE CHEMICALLY APPLIED
OR PLATED FINISHES

DECIMALS FRACTIONS
X ± .05 1/64
.XX ± .01 TOLS. ANGLES
.XXX ± .005 0°-30'

MATERIAL

FINISH

NOTICE TO PERSONS RECEIVING THIS DRAWING
THE TECHNICAL MATERIEL CORPORATION claims proprietary right in the material
disclosed herein. This drawing is issued in confidence for engineering information only
and is not to be reproduced or used in manufacturing without the express written
consent of the Technical Materiel Corporation.

5