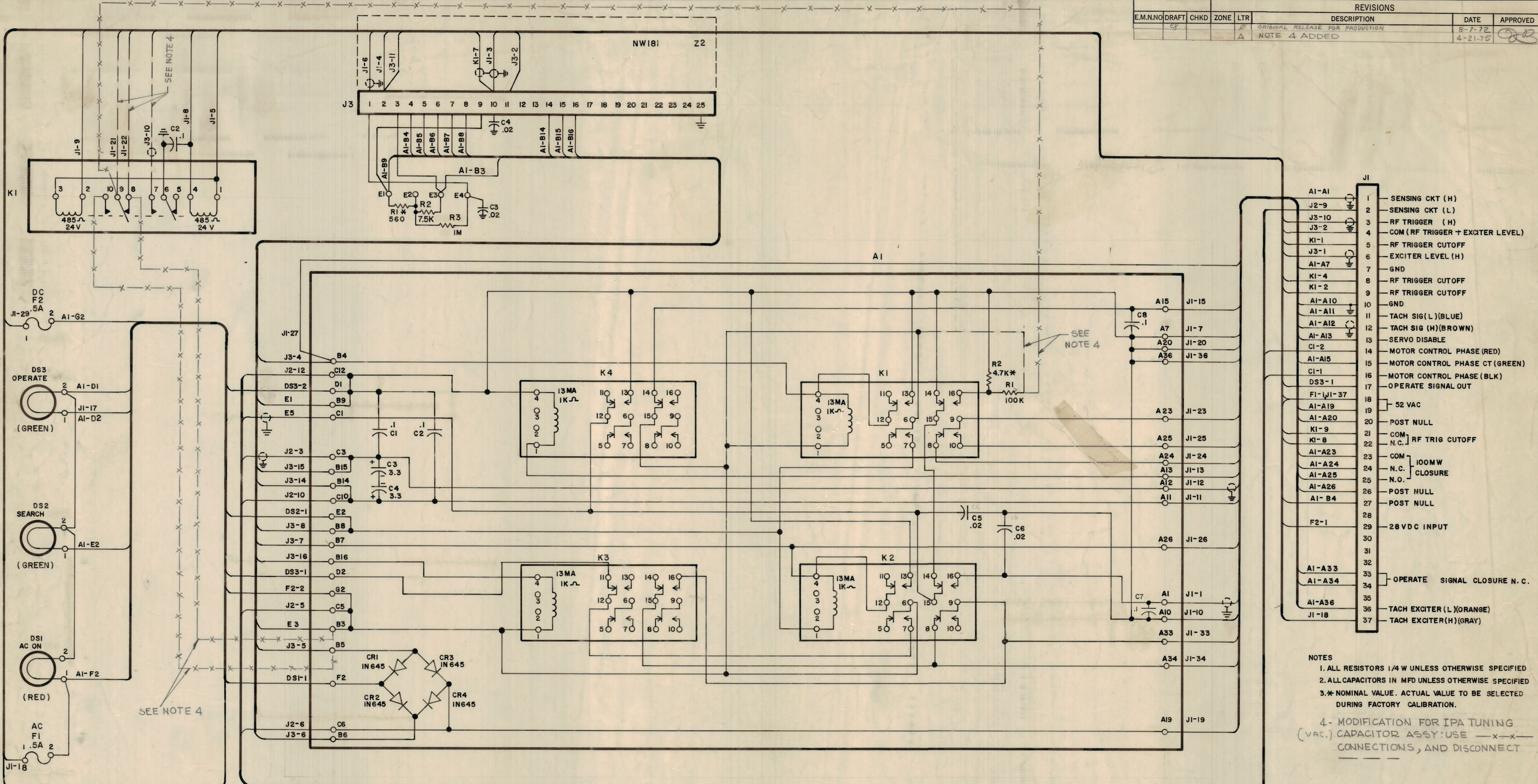


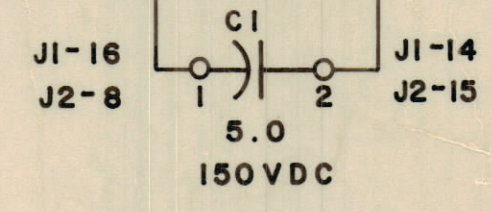
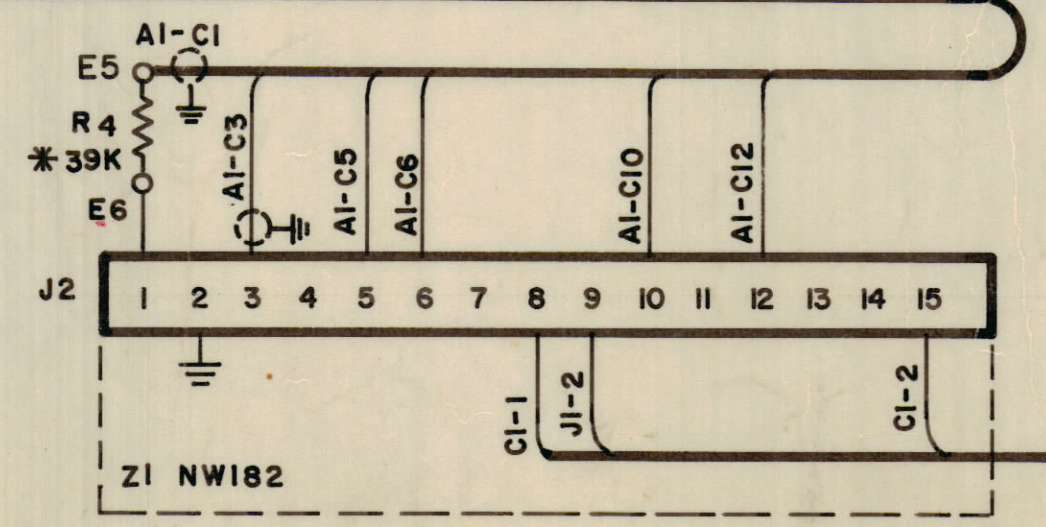
| REVISIONS | | | | | | | |
|-----------|-------|------|------|-----|---------------------------------|---------|----------|
| E.M.N.O. | DRAFT | CHKD | ZONE | LTR | DESCRIPTION | DATE | APPROVED |
| | | | | | ORIGINAL RELEASE FOR PRODUCTION | 8-7-72 | |
| | | | | | NOTE 4 ADDED | 4-21-75 | |



| Terminal | Description |
|----------|------------------------------------|
| A1-A1 | 1 SENSING CKT (H) |
| J2-9 | 2 SENSING CKT (L) |
| J3-10 | 3 RF TRIGGER (H) |
| J3-2 | 4 COM (RF TRIGGER + EXCITER LEVEL) |
| KI-1 | 5 RF TRIGGER CUTOFF |
| J3-1 | 6 EXCITER LEVEL (H) |
| A1-A7 | 7 GND |
| KI-4 | 8 RF TRIGGER CUTOFF |
| KI-2 | 9 RF TRIGGER CUTOFF |
| A1-A10 | 10 GND |
| A1-A11 | 11 TACH SIG (L) (BLUE) |
| A1-A12 | 12 TACH SIG (H) (BROWN) |
| A1-A13 | 13 SERVO DISABLE |
| C1-2 | 14 MOTOR CONTROL PHASE (RED) |
| A1-A15 | 15 MOTOR CONTROL PHASE CT (GREEN) |
| C1-1 | 16 MOTOR CONTROL PHASE (BLK) |
| DS3-1 | 17 OPERATE SIGNAL OUT |
| F1-J1-37 | 18 |
| A1-A19 | 19 52 VAC |
| A1-A20 | 20 POST NULL |
| KI-9 | 21 COM |
| KI-8 | 22 N.C.] RF TRIG CUTOFF |
| A1-A23 | 23 COM |
| A1-A24 | 24 N.C.] 100MW |
| A1-A25 | 25 N.O.] CLOSURE |
| A1-A26 | 26 POST NULL |
| A1-B4 | 27 POST NULL |
| F2-1 | 28 28 VDC INPUT |
| A1-A33 | 29 |
| A1-A34 | 30 |
| A1-A36 | 31 |
| J1-18 | 32 |
| | 33 OPERATE SIGNAL CLOSURE N.C. |
| | 34 |
| | 35 |
| | 36 TACH EXCITER (L) (ORANGE) |
| | 37 TACH EXCITER (H) (GRAY) |

- NOTES
- ALL RESISTORS 1/4 W UNLESS OTHERWISE SPECIFIED
 - ALL CAPACITORS IN MFD UNLESS OTHERWISE SPECIFIED
 - * NOMINAL VALUE. ACTUAL VALUE TO BE SELECTED DURING FACTORY CALIBRATION.
 - MODIFICATION FOR IPA TUNING (VAC.) CAPACITOR ASSY: USE -x-x- CONNECTIONS, AND DISCONNECT

| LAST SYMBOLS | LAST SYMBOLS |
|-----------------------------|--|
| AI SERIES | UNIT SERIES |
| A1 C8 CR4 K4 R2 | A1 Z2 C4 DS3 E6 F2 J3 K1 R4 |



| QTY / UNIT | MODEL USED ON | ASS'Y NO. |
|-------------|---------------|-----------|
| | HFTA-10K () | |
| | HFLA-10K | |
| APPLICATION | | |
| | CODE | |
| MATERIAL | | |
| | FINISH | |

UNLESS OTHERWISE SPECIFIED DIMENSIONS ARE IN INCHES AND INCLUDE CHEMICALLY APPLIED OR PLATED FINISHES

TOLERANCES ON

| | |
|-------------|------------|
| DECIMALS | FRACTIONS |
| .X ± .05 | ± 1/64 |
| .XX ± .01 | ANGLES |
| .XXX ± .005 | ± 0° - 30' |

| QTY. REQ. | ITEM | PART NO. | DESCRIPTION | SYMBOL |
|--|----------------|----------|-------------|--------|
| LIST OF MATERIAL | | | | |
| THE TECHNICAL MATERIEL CORP. MAMARONECK, NEW YORK | | | | |
| DIAGRAM SCHEMATIC AMPLIFIER, SERVO (AZ119) | | | | |
| FINAL APPROVAL | | DATE | | |
| MECH. DES. | | DATE | | |
| ELECT. DES. | | DATE | | |
| CHECKED | | DATE | | |
| DRAWN | | DATE | | |
| SIZE | CODE IDENT NO. | DWG NO. | ISSUE | |
| D | 82679 | CK 1681 | A | |
| SCALE | | SHEET OF | | |

NOTICE TO PERSONS RECEIVING THIS DRAWING

THE TECHNICAL MATERIEL CORPORATION claims proprietary right in the material disclosed hereon. This drawing is issued in confidence for engineering information only and may not be reproduced or used to manufacture anything shown hereon without permission from THE TECHNICAL MATERIEL CORPORATION to the user. This drawing is loaned for mutual assistance and is subject to recall at any time.

