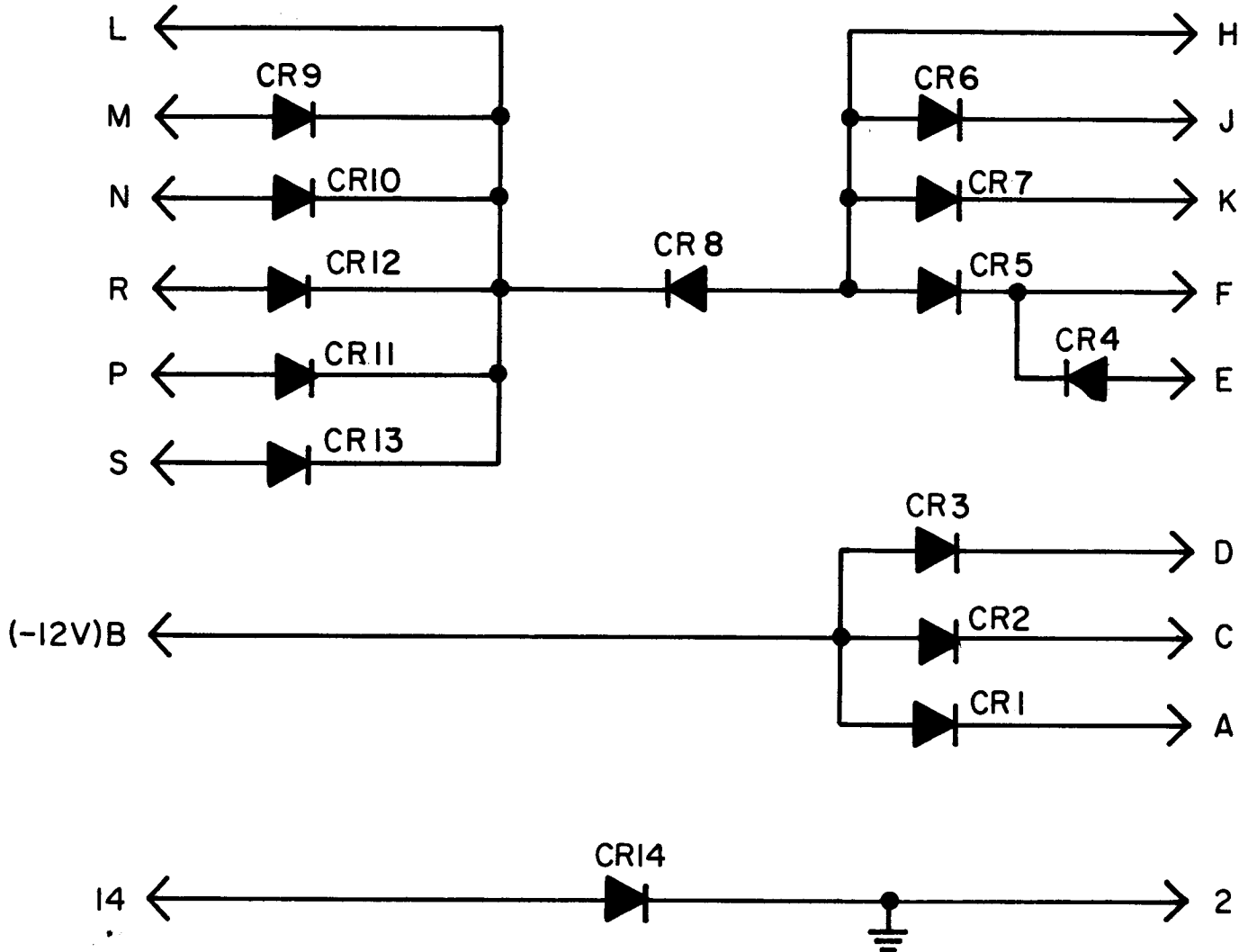


APPLICATION			REVISIONS							
QTY	MODEL USED ON	ASS'Y NO.	LTR	DESCRIPTION	DATE	E.M.N.NO	DRAFT	CHKD	APPD	
	RTTD-5A	A4786	X	EXPERIMENTAL RELEASE	10/28/68	—	KD			
			X	REVISED	12/16/69		KH			
			0	ORIGIN OF RELEASE	1/5/70	0				



NOTE: DIODES CR1, 2, 3 & CR14 ARE IN4245
ALL OTHER DIODES ARE IN914

PC518/A4786

UNLESS OTHERWISE SPECIFIED DIMENSIONS ARE IN INCHES AND INCLUDE CHEMICALLY APPLIED OR PLATED FINISHES	REQ'D	ITEM	PART NUMBER	DESCRIPTION	SYM.		
	LIST OF MATERIAL						
DECIMALS .X ± .05 .XX ± .01 .XXX ± .008	FRACTIONS 1/64 ANGLES 0°-30'	FINISH APPROVAL <i>[Signature]</i>	DATE 12-31-69	THE TECHNICAL MATERIEL CORP. MAMARONECK, NEW YORK DIAGRAM SCHEMATIC GATING CIRCUIT			
MATERIAL	MECH. DES. <i>[Signature]</i>	DATE 12-31-69					
FINISH	ELECT. DES.	DATE					
	CHECKED	DATE					
	DRAWN <i>Deisterlein</i>	DATE 10/28/69					
NOTICE TO PERSONS RECEIVING THIS DRAWING THE TECHNICAL MATERIEL CORPORATION claims proprietary right in the material disclosed hereon. This drawing is issued in confidence for engineering information only and may not be reproduced or used to manufacture anything shown hereon without permission from THE TECHNICAL MATERIEL CORPORATION to the user. This drawing is loaned for mutual assistance and is subject to recall at any time.				SIZE A	CODE IDENT. NO. 82679	DWG NO. CK 1668	ISSUE 0
SCALE				SHEET		OF	