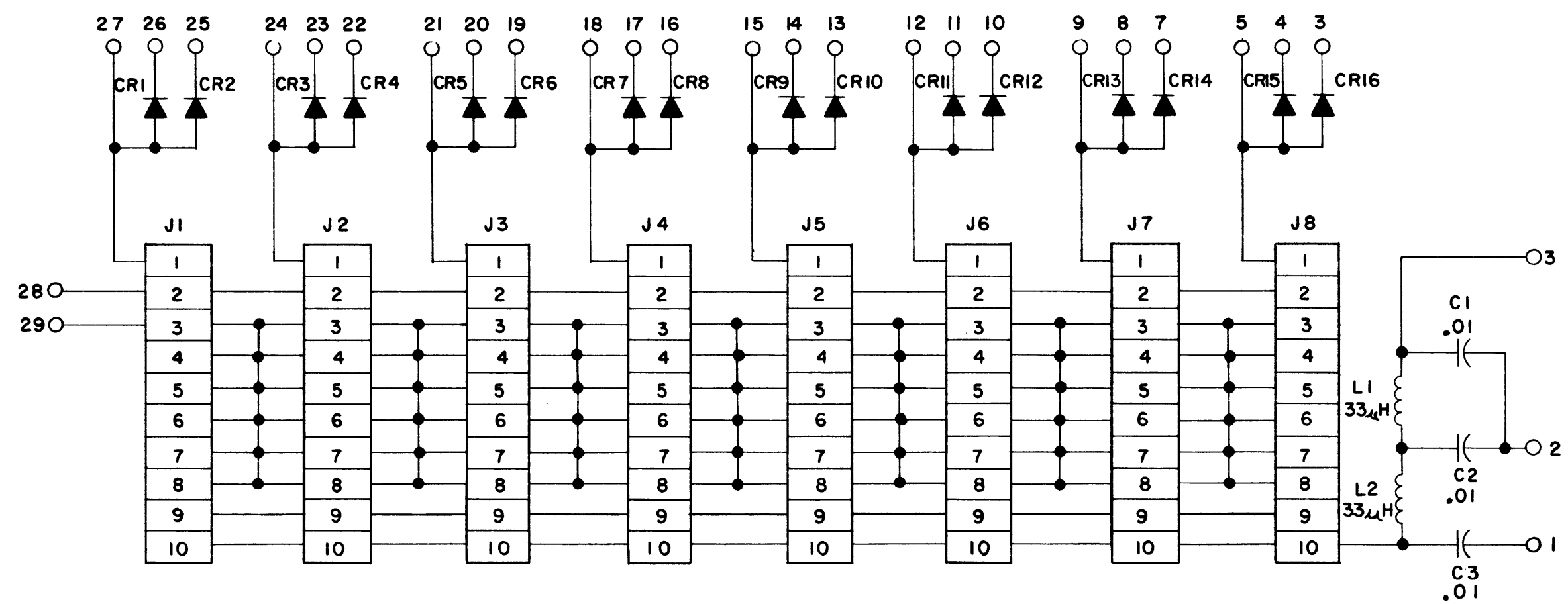


REVISIONS						
ZONE	LTR	DESCRIPTION	DATE	E.M.N.NO	DRAFT	CHKD APPD
	X	EXP. RELEASE	8/11/69		KD	
	X1	REVISED & UPDATED	8/21/69		KD	
	Ø	ORIGINAL RELEASE	9/8/69		Ø	



NOTE:
ALL DIODES ARE IN914.

MTR()-150		
QTY / UNIT	MODEL USED ON	ASS'Y NO.
APPLICATION		
	CODE	
<p>NOTICE TO PERSONS RECEIVING THIS DRAWING THE TECHNICAL MATERIEL CORPORATION claims proprietary right in the material disclosed hereon. This drawing is issued in confidence for engineering information only and may not be reproduced or used to manufacture anything shown hereon without permission from THE TECHNICAL MATERIEL CORPORATION to the user. This drawing is loaned for mutual assistance and is subject to recall at any time.</p>		

UNLESS OTHERWISE SPECIFIED
DIMENSIONS ARE IN INCHES
AND INCLUDE CHEMICALLY APPLIED
OR PLATED FINISHES

DECIMALS FRACTIONS
.X ± .05 1/64
.XX ± .01 TOLS. ANGLES
.XXX ± .005 0° -30'

MATERIAL

FINISH

A4780/PC 512				
REQ'D	ITEM	PART NUMBER	DESCRIPTION	SYM.
POSE LIST OF MATERIAL				
THE TECHNICAL MATERIEL CORP. MAMARONECK, NEW YORK DIAGRAM SCHEMATIC EXC. RF				
SIZE	CODE IDENT. NO.	DWG NO.	ISSUE	
B	82679	CK1657	Ø	
SCALE	SHEET		OF	