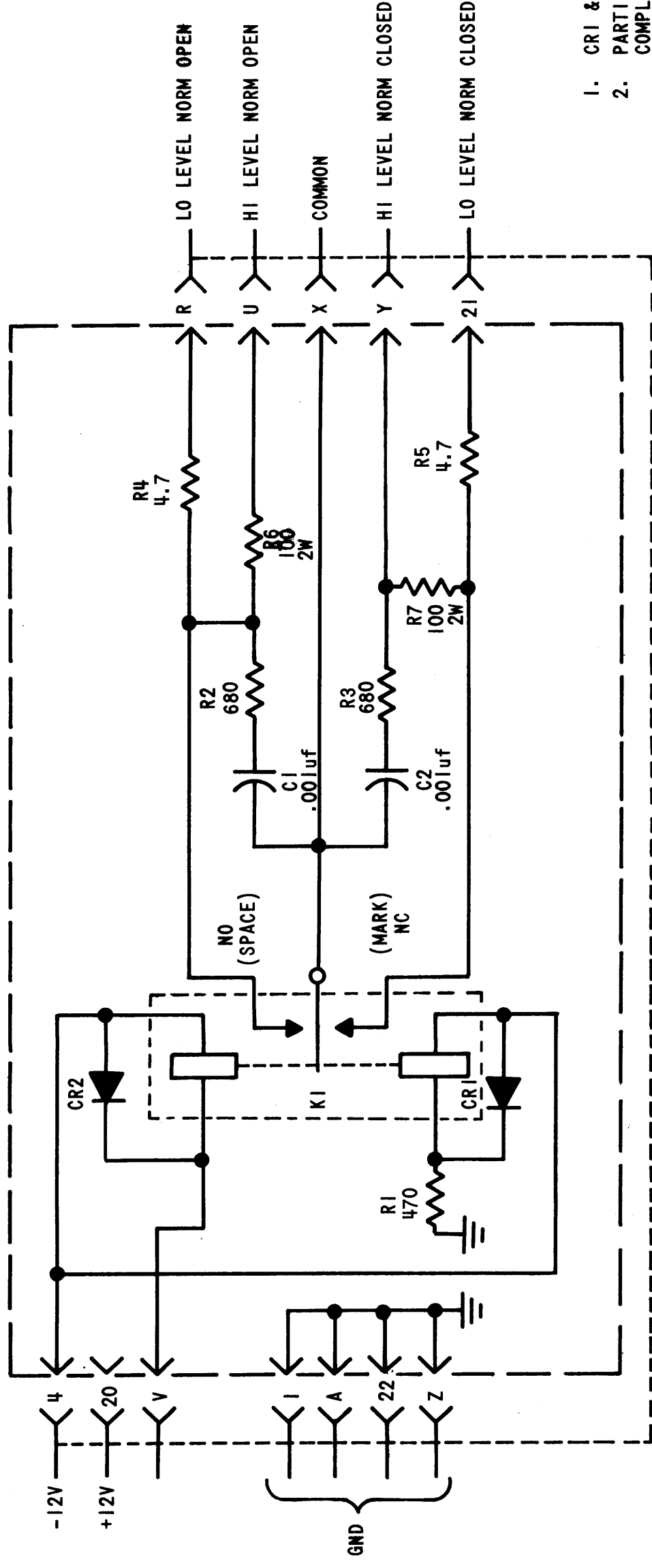


ZONE	LTR	DESCRIPTION	DATE	E.M.N.NO	DRAFT	CHKD	APPD
	X2	REVISED & UPDATED	4/14/69		CV		
	B	ORIG RELEASE FOR PROD	5/19/69		CV		

REVISIONS



NOTES

1. CR1 & CR2 ARE TYPE 1N4245
2. PARTIAL REFERENCE DESIGNATIONS ARE SHOWN; FOR COMPLETE DESIGNATION, PREFIX WITH UNIT NUMBER & SUB-ASSEMBLY DESIGNATION(S) AS APPLICABLE

UNLESS OTHERWISE SPECIFIED

1. ALL RESISTORS ARE IN OHMS, 1/2 WATT

LAST SYMBOLS	MISSING SYMBOLS
C2	
CR2	
K1	
R7	

REQ'D ITEM	PART NUMBER	DESCRIPTION	SYM.
LIST OF MATERIAL			
THE TECHNICAL MATERIEL CORP.			
MAMARONECK, NEW YORK			
DIAGRAM, SCHEMATIC, KEYS			
SIZE	CODE IDENT. NO.	DWG NO.	ISSUE
B	82679	CK 1402	Ø
SCALE	SHEET	OF	
	7-34	1	5/5

UNLESS OTHERWISE SPECIFIED DIMENSIONS ARE IN INCHES AND INCLUDE CHEMICALLY APPLIED OR PLATED FINISHES	UNLESS OTHERWISE SPECIFIED DIMENSIONS ARE IN INCHES AND INCLUDE CHEMICALLY APPLIED OR PLATED FINISHES
DECIMALS	FRACTIONS
.X ± .05	1/64
.XX ± .01	ANGLES
.XXX ± .005	0°-30'
MATERIAL	FINISH

NOTICE TO PERSONS RECEIVING THIS DRAWING  
 THE TECHNICAL MATERIEL CORPORATION claims proprietary right in the material disclosed hereon. This drawing is issued in confidence for engineering information only and may not be reproduced or used to manufacture anything shown hereon without permission from THE TECHNICAL MATERIEL CORPORATION to the user. This drawing is loaned for mutual assistance and is subject to recall at any time.