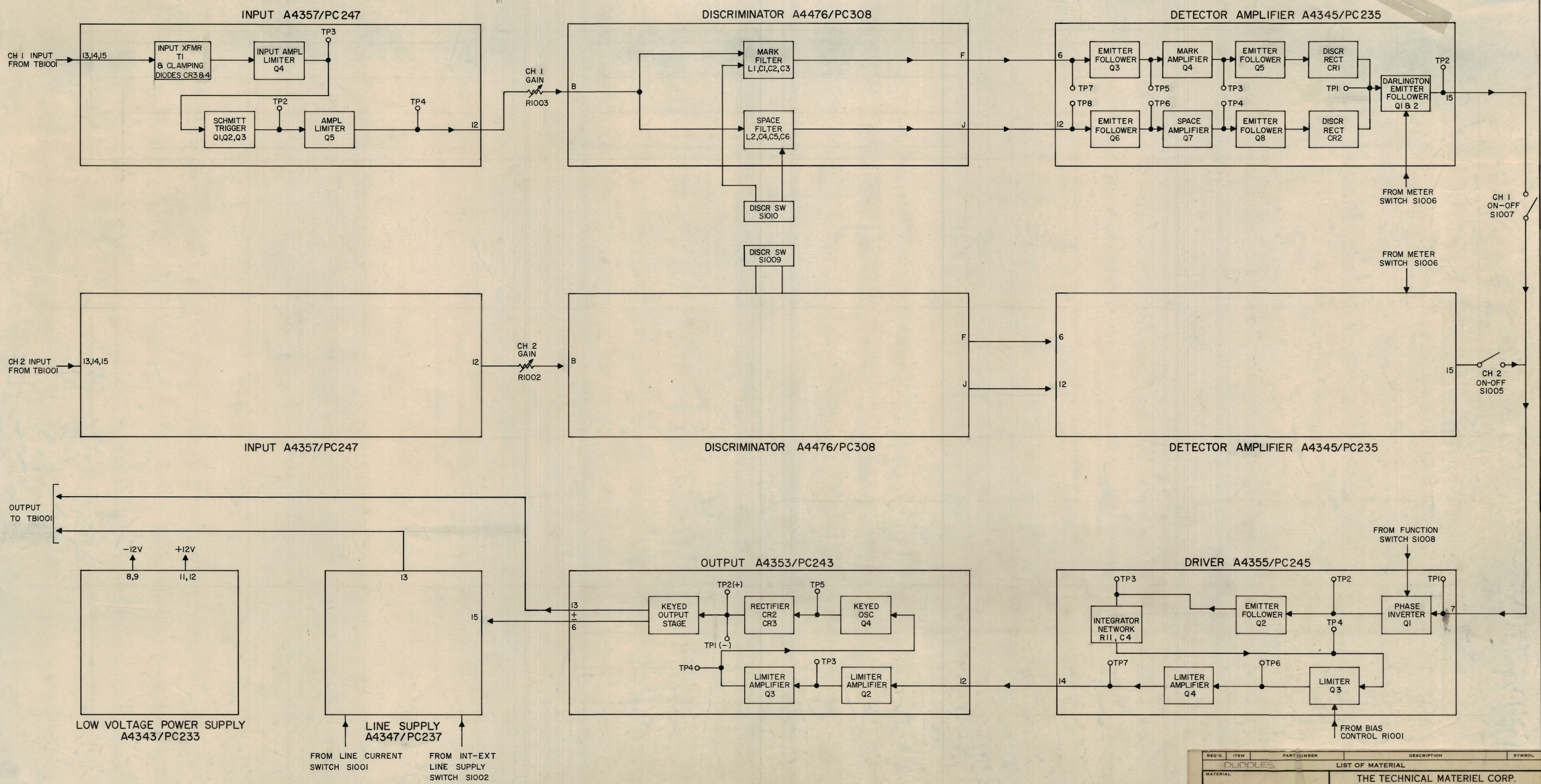


REVISIONS						
REV.	DESCRIPTION	DATE	BY	CHKD.	APPD.	
X1	A4355 Q3 WAS Q6, Q4 WAS Q7; ADDED TP4, C4, R11	9/14/66		JL		
0	ORIGINAL RELEASE FOR PRODUCTION	9-27-66		RME		



REQ'D.	ITEM	PART NUMBER	DESCRIPTION	SYMBOL
DUDDLES LIST OF MATERIAL				
MATERIAL				
THE TECHNICAL MATERIEL CORP. MAMARONECK, NEW YORK				
FINISH				
TITLE DIAGRAM, BLOCK CFA-2				
UNLESS OTHERWISE SPECIFIED DIMENSIONS ARE IN INCHES AND INCLUDE CHEMICALLY APPLIED OR PLATED FINISHES				
DRAWN C.E. DUDAS		DATE 9/1/66		FINAL APPROVAL DATE
CHECKED C.E. DUDAS		DATE 9-23-66		DATE
DECIMALS .x ± .05 .xx ± .01 .xxx ± .005		FRACTIONS ± 1/64 ANGLES ± 0' 30"		ELECT. DES. MECH. DES.
TOLERANCES		DATE		CK 1195
SHEET				