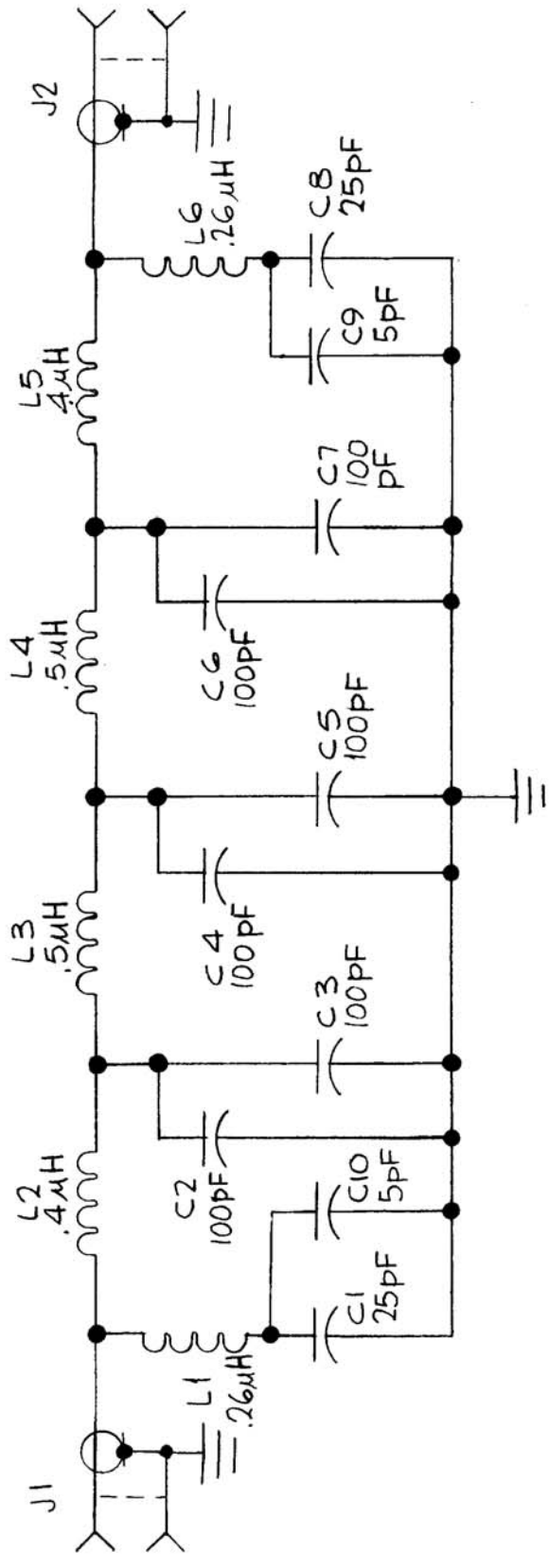


CK1163

USED ON

REQ. PER UNIT	1
MODEL	LPFA-1K
ASSY. NO.	7-14-GC
DATE	



REQ. PER UNIT	1	MODEL	LPFA-1K	ASSY. NO.	7-14-GC	DATE		CK1163
REQ. ITEM		PART NO.		F. BUDETTI	DESCRIPTION	SYMBOL		
		STOCK SIZE		THE TECHNICAL MATERIEL CORP. MAMARONECK, NEW YORK				
		MATERIAL		DIAGRAM, SCHEMATIC				
TYPE & TEMPER		HEAT TREAT. SPEC.		DRAWN	CHECKED		FINAL APPROVAL	
				W.P.B.	W.P.B.		CK1163	
FINISH & SPEC. NO.				ELEC. DES. APP.	MECH. DES. APP.			
ORIGINAL RELEASE FOR		CV		CHECKER	ENG. APP.	SCALE		
PRODUCTION	5/3/67	∅						
ADD C9 & C10	1/30/67	-						
WERE SOPF, J1, J2 REVISED	1-4-67	X1						
MODEL WAS LPFA-1	7-14-GC	X						
C1 & C8 WERE 100PF								
EXP. RELEASE								
UNLESS OTHERWISE SPECIFIED	DIMENSIONS ARE IN INCHES AND INCLUDE							
	CHEMICALLY APPLIED OR PLATED FINISHES							
DECIMALS	FRACTIONS							
.X ± .05	± 1/64							
.XX ± .01	ANGLES							
.XXX ± .005	± 0° 30'							
TOLERANCES								
CODE								