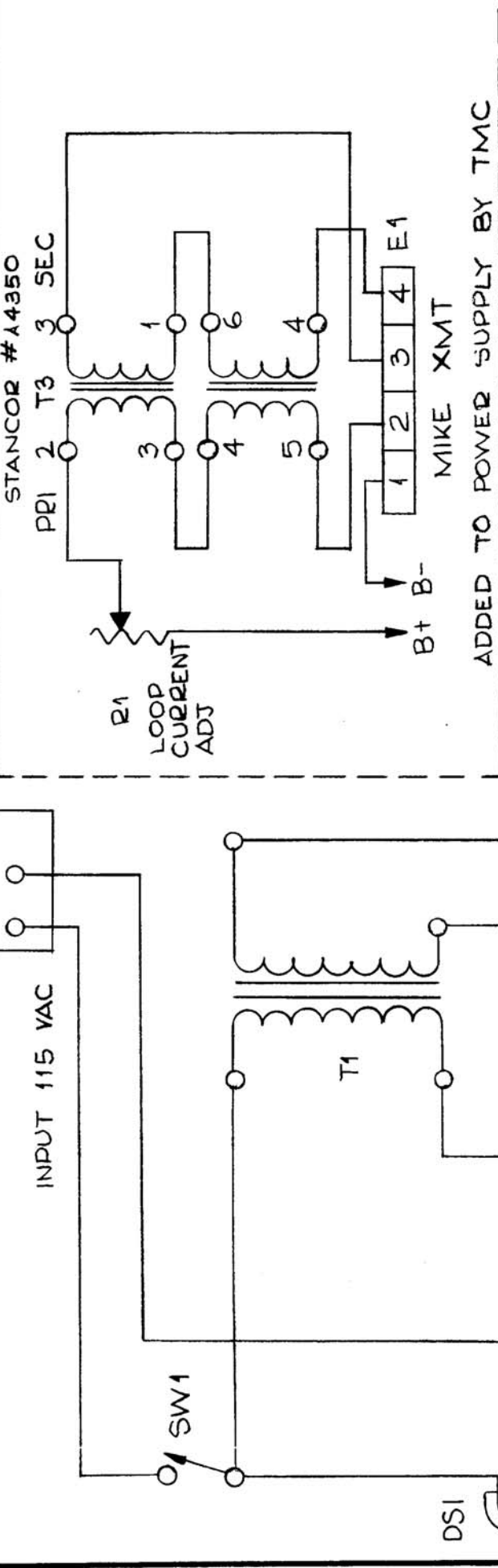


CK1108 Ø

USED ON
REQ. PER UNIT
MODEL
G4B.1P(115VAC) AP133
DATE

STANCOR #A4350
PRI 2 T3 3 SEC
MIKE XMT
ADDED TO POWER SUPPLY BY TMC



REQ. ITEM	PART NO.	STURMER	DESCRIPTION	SYMBOL
	#		THE TECHNICAL MATERIEL CORP. MAMARONECK, NEW YORK	
	STOCK SIZE		DIAGRAM, SCHEMATIC	
	MATERIAL			
	TYPE & TEMPER			
	HEAT TREAT. SPEC.			
	FINISH & SPEC. NO.			
	DATE	9/3/66	CH. NO.	Ø
	SCALE	1/1	DRAFTS	SAV
	DESCRIPTION	ORIGINAL RELEASE FOR PRODUCTION	CHECKER	ENG. APP.
	UNLESS OTHERWISE SPECIFIED DIMENSIONS ARE IN INCHES AND INCLUDE CHEMICALLY APPLIED OR PLATED FINISHES			
	TOLERANCES			
	DECIMALS			
	.X ± .05			
	.XX ± .01			
	.XXX ± .005			
	FRACTIONS			
	± 1/64			
	ANGLES			
	± 0° 30'			
	CODE			
	DRAWN			
	ELEC. DES. APP.			
	MECH. DES. APP.			
	FIN. APPROVAL			
	CK1108 Ø			