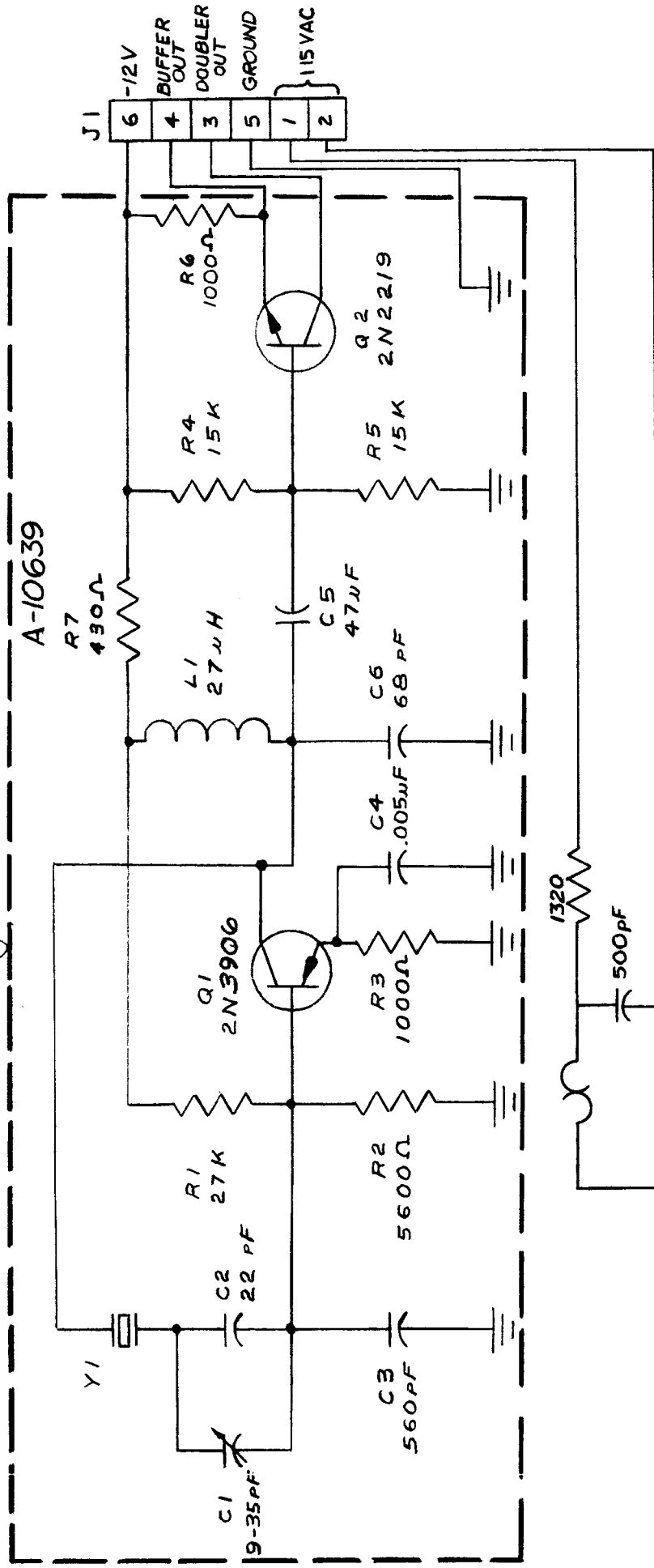


ISSUE	ITEM	CHANGED FROM	DATE	CN. NO.	DRAFTS	CHECKER	ENG. APP.	REQ.	ITEM	PART NO.	DESCRIPTION	SYMBOL
Φ		REL TO PROD	13 DEC 66		RA		<i>[Signature]</i>					
A		REV TO CEMN	30/16/67	248	AP	<i>[Signature]</i>	<i>[Signature]</i>					
B		REV. TO CEMN	16/8/67	272	GM	<i>[Signature]</i>	<i>[Signature]</i>					



TTR7-4B		005/66		13 DEC 66		DATE	
MODEL		PROJECT NO.		ASSY. NO.		DATE	
TMC (Canada) LIMITED OTTAWA ONTARIO				SCHEMATIC			
XMTR OSC (AX10034)				RA			
DRAWN				ELEC. DES. APP.			
CHECKED				MECH. DES. APP.			
FINAL APPROVAL				CK10520 B			
MAXIMUM ALLOWABLE TOLERANCES HAVE BEEN DETERMINED AND DEVIATIONS WILL BE CAUSE FOR REJECTION REMOVE ALL BURRS AND SHARP EDGES				IF IT IS FOUND DESIRABLE TO CHANGE ANY TOLERANCE OR OTHER DETAIL SPECIFIED ON THIS DRAWING NOTIFY THE PURCHASER PROMPTLY.			
TOLERANCES				SCALE			
DEC. DIM. ±				DIMENSIONS IN INCHES			
FRAG. DIM. ±				UNLESS OTHERWISE SPECIFIED			
ANGULAR DIM. ±				DRILL, PUNCH, COMMERCIAL STOCK SIZES AND MANUFACTURERS TOLERANCES ARE NOT INCLUDED.			
ALL OTHERS							

ISSUE	ITEM	CHANGED FROM	DATE	CN. NO.	DRAFTS	CHECKER	ENG. APP.	REQ.	ITEM	PART NO.	DESCRIPTION	SYMBOL
Ø		RELEASED TO PROD	APRIL 4/67		RPL							

GRID 3 — L1507 1.1 µH — C1515 3 PF — L1508 750 µH — CR1500 IN463 — L1509 120 µH — C1517 15 PF — C1518 1000 PF — L1510 120 µH — O/P 1
 GND 2

AX10033	053/67	A10595	MAR 21/67
MODEL	PROJECT NO.	ASSY. NO.	DATE
USED ON			
MAXIMUM ALLOWABLE TOLERANCES HAVE BEEN DETERMINED AND DEVIATIONS WILL BE CAUSE FOR REJECTION. REMOVE ALL BURRS AND SHARP EDGES		IF IT IS FOUND DESIRABLE TO CHANGE ANY TOLERANCE OR OTHER DETAIL SPECIFIED ON THIS DRAWING NOTIFY THE PURCHASER PROMPTLY.	
TOLERANCES			
ALL OTHERS	DEC. DIM. ±	SCALE	
	FRAC. DIM. ±	DIMENSIONS IN INCHES	
	ANGULAR DIM. ±	UNLESS OTHERWISE SPECIFIED	
		DRILL, PUNCH, COMMERCIAL STOCK SIZES AND MANUFACTURERS TOLERANCES ARE NOT INCLUDED.	

TMC (Canada) LIMITED OTTAWA ONTARIO	
SCHEMATIC, GRID METER- ING BOARD	
RPL	J
DRAWN	ELEC. DES. APP.
<i>[Signature]</i>	<i>[Signature]</i>
CHECKED	MECH. DES. APP.
FINAL APPROVAL	
Ø	CK10532

ISSUE	ITEM	CHANGED FROM	DATE	CN. NO.	DRAFTS	CHECKER	ENG. APP.	REQ.	ITEM	PART NO.	DESCRIPTION	SYMBOL
Ø		RELEASED TO PROD	APRIL 4/67		RPC		<i>[Signature]</i>					

L1562
 1000µH

 L1601
 1000µH

 C1562
 1000PF

 C1563
 1000PF

 CR1561
 1N34A

 INPUT 1 OUTPUT 2

MODEL	PROJECT NO.	ASSY. NO.	DATE
AX10033	053/67	A10596	23 MAR 67

TOLERANCES		SCALE	
MAXIMUM ALLOWABLE TOLERANCES HAVE BEEN DETERMINED AND DEVIATIONS WILL BE CAUSE FOR REJECTION. REMOVE ALL BURRS AND SHARP EDGES	IF IT IS FOUND DESIRABLE TO CHANGE ANY TOLERANCE OR OTHER DETAIL SPECIFIED ON THIS DRAWING NOTIFY THE PURCHASER PROMPTLY.		
DEC. DIM. ±	DIMENSIONS IN INCHES		
FRAC. DIM. ±	UNLESS OTHERWISE SPECIFIED		
ANGULAR DIM. ±	DRILL, PUNCH, COMMERCIAL STOCK SIZES AND MANUFACTURERS TOLERANCES ARE NOT INCLUDED.		

TMC (Canada) LIMITED OTTAWA ONTARIO	
SCHEMATIC	
RD	4
DRAWN	ELEC. DES. APP.
4	MECH. DES. APP.
CHECKED	FINAL APPROVAL
CK10533 Ø	

ISSUE	ITEM	CHANGED FROM	DATE	CN. NO.	DRAFTS	CHECKER	ENG. APP.	REQ.	ITEM	PART NO.	DESCRIPTION	SYMBOL
XZ		POT FUNCTIONS ADDED	MAR. 27/67		RPL							
Ø		RELEASED TO PROD	APRIL 4/67		RPL							
A		REV. AS PER CEMN NO.	APRIL CEMN 11/67	211	RPL							

1 ○

R1508
27K

2 ○

R1509
50K
PA IB

7 ○

R1514
50K
-20 dB

8 ○

6 ○

R1513
50K
AM CARRIER

3 ○

R1507
50K
PA/G

4 ○

R1511
1 MEG
PA/RF

R1510
47K

R1512
47K

AX10033

MODEL: 053/67 PROJECT NO. A10597 ASSY. NO. MAR. 21/67 DATE

USED ON

TMC (Canada) LIMITED
OTTAWA ONTARIO

SCHEMATIC, METER CALIBRATION

RPL

4

MECH. DES. APP. *[Signature]*

ELEC. DES. APP. *[Signature]*

CHECKED *[Signature]*

FINAL APPROVAL

CK10534

A

MAXIMUM ALLOWABLE TOLERANCES HAVE BEEN DETERMINED AND DEVIATIONS WILL BE CAUSE FOR REJECTION. REMOVE ALL BURRS AND SHARP EDGES

TOLERANCES

DEC. DIM. ±

FRAG. DIM. ±

ANGULAR DIM. ±

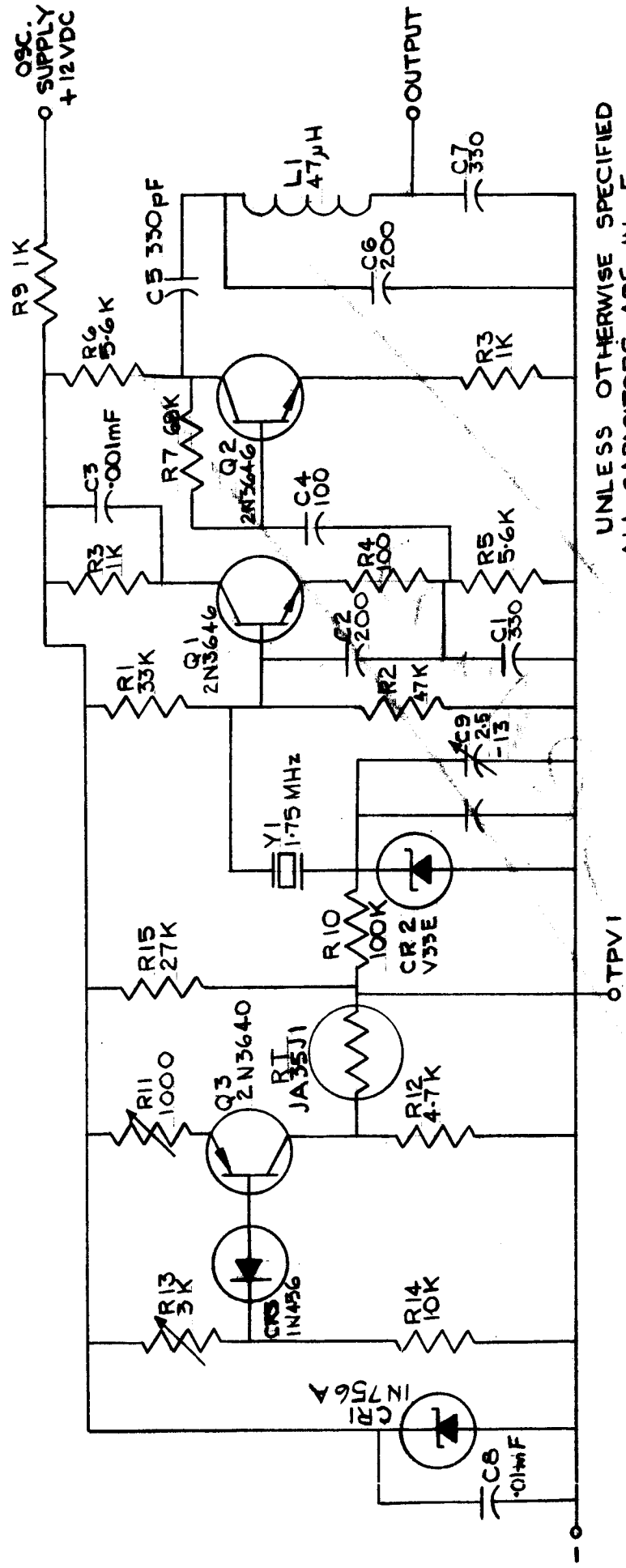
IF IT IS FOUND DESIRABLE TO CHANGE ANY TOLERANCE OR OTHER DETAIL SPECIFIED ON THIS DRAWING NOTIFY THE PURCHASER PROMPTLY.

SCALE

DIMENSIONS IN INCHES UNLESS OTHERWISE SPECIFIED

DRILL, PUNCH, COMMERCIAL STOCK SIZES AND MANUFACTURERS TOLERANCES ARE NOT INCLUDED.

ISSUE	ITEM	CHANGED FROM	DATE	CH. NO.	DRAFTS	CHECKER	ENG. APP.	REQ.	ITEM	PART NO.	DESCRIPTION	SYMBOL
X1		IN756 WAS IN753	4/10/67	EDG 70	AP							



UNLESS OTHERWISE SPECIFIED
 ALL CAPACITORS ARE IN μ F
 ALL COILS ARE IN μ H
 ALL RESISTORS ARE 1/4 WATT

NF 10002	068/67	A 10638	JULY 20/67									
MODEL	PROJECT NO.	ASS'Y. NO.	DATE	USED ON								
MAXIMUM ALLOWABLE TOLERANCES HAVE BEEN DETERMINED AND DEVIATIONS WILL BE CAUSE FOR REJECTION. REMOVE ALL BURRS AND SHARP EDGES			IF IT IS FOUND DESIRABLE TO CHANGE ANY TOLERANCES OR OTHER DETAIL SPECIFIED ON THIS DRAWING NOTIFY THE PURCHASER PROMPTLY.									
TOLERANCES			SCALE									
DEC. DIM. \pm	DIMENSIONS IN INCHES											
FRAC. DIM. \pm	UNLESS OTHERWISE SPECIFIED											
ANGULAR DIM. \pm	DRILL, PUNCH, COMMERCIAL STOCK SIZES AND MANUFACTURERS TOLERANCES ARE NOT INCLUDED.											
ALL OTHERS	FINISH & SPEC. NO.											
	CK10536											
	X1											

TMC (Canada) LIMITED
 OTTAWA ONTARIO

SCHEMATIC, TEXO

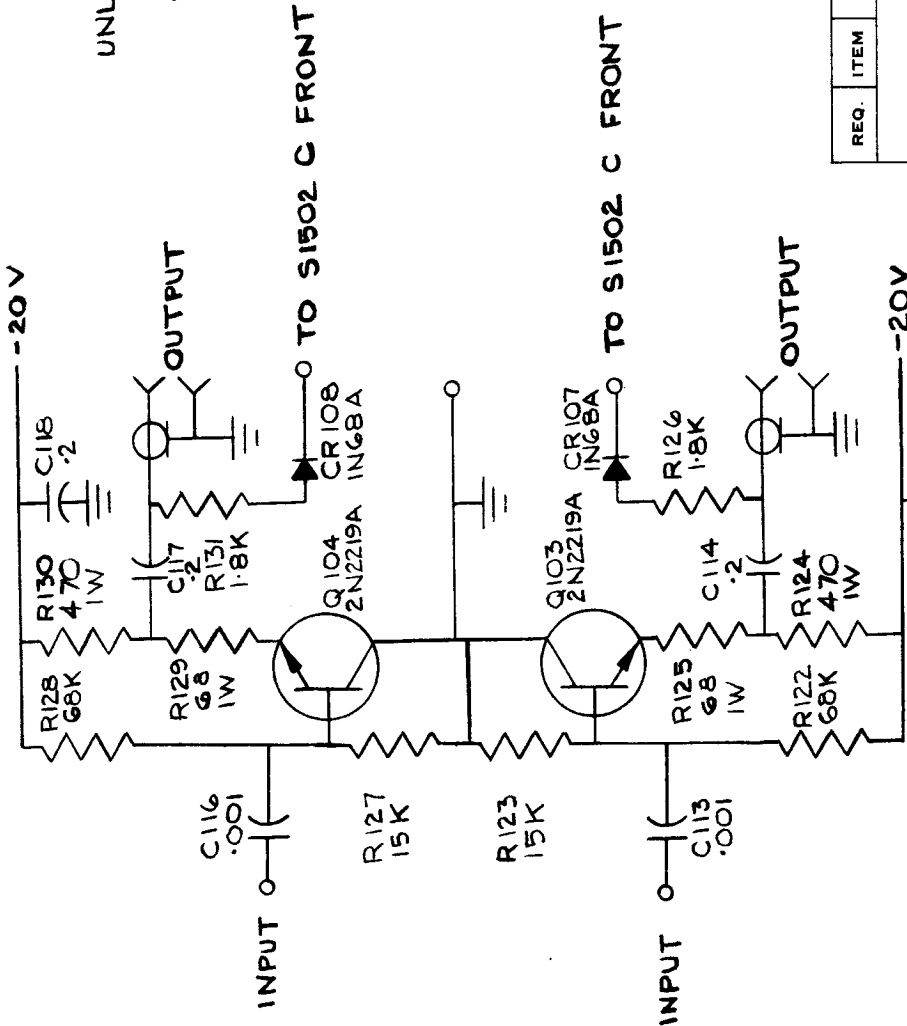
GAM

DRAWN ELEC. DES. APP. MECH. DES. APP.

CHECKED FINAL APPROVAL

IF IT IS FOUND DESIRABLE TO CHANGE ANY TOLERANCE OR OTHER DETAIL SPECIFIED ON THIS DRAWING NOTIFY THE PURCHASER PROMPTLY.

MAXIMUM ALLOWABLE TOLERANCES HAVE BEEN DETERMINED AND DEVIATIONS WILL BE CAUSE FOR REJECTION. REMOVE ALL BURRS AND SHARP EDGES



UNLESS OTHERWISE SPECIFIED:
ALL RESISTOR VALUES ARE IN OHMS, 1/2 WATT
ALL CAPACITOR VALUES ARE IN μ F

USED ON

MODEL	PROJECT NO.	ASS'Y. NO.	DATE
AX 10032	04-6/66		JULY 27, 1967

REQ.	ITEM	PART NO.	DESCRIPTION	SYMBOL
			TMC (Canada) LIMITED OTTAWA ONTARIO	
			SCHMATIC DIAGRAM	
			OUTPUT MODULE	
			GAM	
			DRAWN	
			RPL	
			CHECKED	
			HEAT TREAT. SPEC.	
			FINISH & SPEC. NO.	
			CK10539	B

REVISED PER CEMN.	JAN 71	897	G.E.T.
REVISED PER CEMN.	NOV 70	873	G.C.T.
REL. TO PRO.	SEPT 69		RPL
ISSUE	DATE	CN. NO.	DRAFTS CHECKER/ENG. APP.

TOLERANCES		SCALE
DEC. DIM. \pm	DIMENSIONS IN INCHES	
FRAC. DIM. \pm	UNLESS OTHERWISE SPECIFIED	
ANGULAR DIM. \pm	DRILL, PUNCH, COMMERCIAL STOCK	
	SIZES AND MANUFACTURERS	
	TOLERANCES ARE NOT INCLUDED.	